

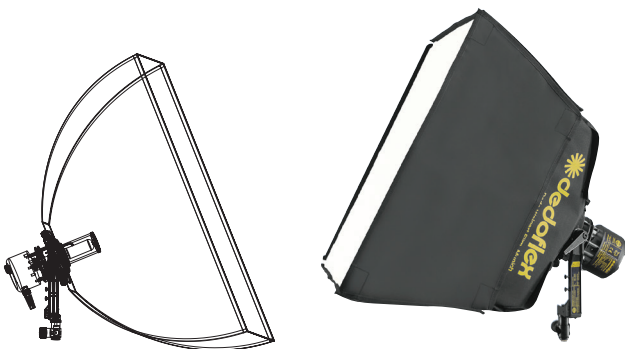
dedoPAR Daylight

The dedoPAR is a 575/400 W PAR light head which operates with the same dedolight DEB400DT electronic ballast as used with the DLH400DT daylight focusing light head and DLH400SDT daylight soft light.

The light head is fitted with push buttons so that it can be started from the light head as well as from the ballast (similar to the operation of the dedolight DLH400DT light head).

The dedoPAR can be used in two different configurations:

- I. As a PAR light (see page 23)
- II. Die Softlight-Variante (Direct/Soft) (see page 23)



Components

- | | |
|----------------|--|
| 1 DPAR-O | dedoPAR base unit light head to be combined with DPAR-S or DPARR. |
| 2 DPAR-R | dedoPAR reflector with yoke. |
| 3 DLSR2 | dedolight speed ring (Ø 160 mm) for soft boxes of other brands. (see page 89 for details). |
| 4 DPARD1 | Spread lens (Flood). |
| 5 DPARD2 | Spread lens (Medium). |
| 6 DPARD3 | Spread lens (Spot). |
| 7 DPARBD | Barn door. |
| 8 DPAR-S | Direct/Soft attachment with yoke (speed rings from dedoflex, Chimera and Photoflex are attachable, see page 88, 89). |
| 9 DLSR1 | dedolight speed ring (Ø 119 mm) for dedoflex silver and white domes medium (see page 88). |
| 10 DLSR8 | dedolight speed ring (Ø 119 mm) with 8 rod receptors for PanAura®/Octodome 5. |
| 11 DSBSM | dedoflex silver dome medium. Can be replaced by dedoflex white dome medium (see page 88 for details). |
| 12 DPOW400DT | Light head to ballast power cable (7 m). |
| 13 DEB400DT | Electronic ballast with mains cable (same as for dedolight DLH400DT). |
| 14 DL400DHR-NB | 400/575 W daylight lamp (clear). |
| 15 DCPAR | Transport case for dedoPAR, direct/soft attachment, lens set, barn door and ballast. |

See dedoPAR kits on page 67.



I. As a PAR light

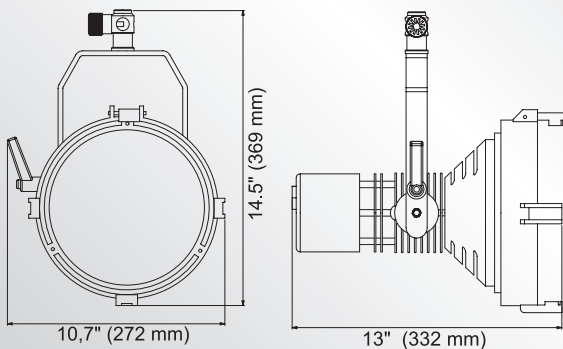
The PAR light version shows high light efficiency due to good reflector design and a focusing control. The light head without a diffusion lens will give you high light output, but you will experience fairly useable light distribution only in one focusing position for any given distance. As with other PAR lights, the beam can be modified with the use of three interchangeable lenses.

II. As a Soft Light (Direct/Soft)

The front part (reflector) of the dedoPAR can be replaced with the Direct/Soft attachment. The removable and rotatable speed ring accepts dedoflex small and medium silver and white domes as well as dedolight PanAura®/Octodome 5 and many Chimera and Photoflex soft boxes. This attachment is fitted with a quartz glass tube which serves as a very efficient UV-cut filter. A safety switch is included, which will shut down the light if the protective glass filter tube is missing or damaged.

Technical Data: dedoPAR

Weight:	DPAR-O – 1000 g (2.2 lbs) DPAR-R – 1900 g (4.2 lbs) DPAR-S – 900 g (2 lbs)
Lamp:	DL400DHR-NB 400 W daylight single ended, Hot Restrike
Cable:	DPOW400DT, 7 m (23')
Mounting:	16 mm (5/8") receptacle and 28 mm (1 1/8") stud
Safety:	Auto cut-off when protective glass is missing or damaged
UV:	Protective quartz glass with UV-Cut function
ON/OFF:	On / Off push buttons located on both head and ballast for ease of operation



Technical Data: Direct/Soft

Weight:	DPAR-S – 900 g (2 lbs) DPAR-O – 1000 g (2.2 lbs)
Lamp:	DL400DHR-NB 400 W daylight, single ended, Hot Restrike
Cable:	DPOW400DT, 7 m (23')
Mounting:	16 mm (5/8") receptacle and 28 mm (1 1/8") stud
Safety:	Auto cut-off when protective tube is missing or damaged
UV:	Protective quartz glass tube with UV-Cut function
ON/OFF:	On / Off push buttons located on both head and ballast for ease of operation

