



SPECIFICATIONS SBX220

FEATURES

- Highly compact companion subwoofer for all JFX products
- Unique baffle design and advanced transducers maximize LF "punch"
- Low frequency response to 32 Hz
- Reinforced cup for pole mounting JFX loudspeakers
- Foot recesses for stable ground stacking in multiples

DESCRIPTION

The SBX220 is a compact, high-powered subwoofer with an enclosure styled to complement JFX Series loudspeakers. It contains two advanced 12 inch woofers mounted in a "clam shell" driver arrangement, which provides tight driver coupling to increase output. A massive port radiates the considerable energy needed at the enclosure's tuning frequency to complement the JFX Series' high output.

The enclosure includes balance-optimized recessed handles and rubber feet. A reinforced pole-mount receptacle allows the SBX220 to double as a base for use with any JFX full range system. The grille is internally braced to withstand the rigors of portable use. The input connector for the SBX220 is a Neutrik NL4 using pins 2+/- . The input is looped through to a second NL4 for connection to additional SBX220s. Pins 1+/- can be used for connection and loop through of the signals for a companion full-range loudspeaker. This means a single loudspeaker cable to the SBX220 can power both the subwoofer and full-range loudspeakers.

APPLICATION

The SBX220 is intended primarily for portable applications, but it may readily be used in installations where space is restricted. At only 18 inches high, it is very effective in houses of worship, clubs, and theatres where subwoofers must be installed under a low stage.

PERFORMANCE

| | |
|--|-----------------|
| Frequency Response (1 W @ 1 m) | |
| ±3 dB | 38 Hz to 300 Hz |
| -10 dB | 32 Hz |
| Axial Sensitivity (dB SPL, 1 W @ 1 m) | |
| Sub Bass | 98 |
| Impedance (Ohms) | |
| Sub Bass | 4 |
| Power Handling (Watts, continuous) | |
| Sub Bass | 1400 |
| Recommended High-Pass Frequency | |
| 24dB/Octave | 30 Hz |
| Calculated Maximum Output (dB SPL) | |
| Sub Bass Peak | 135 |
| Sub Bass Long Term | 129 |



PHYSICAL

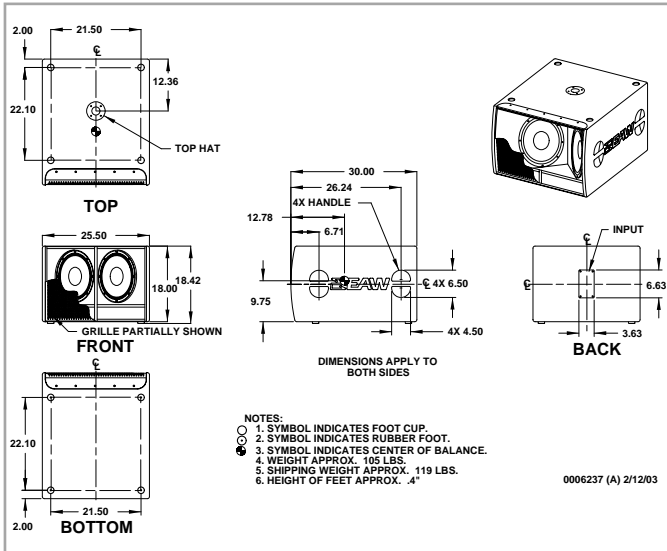
| | | |
|----------------------|---|--------------------|
| System Configuration | Dedicated subwoofer | |
| LF Subsystem | 2x 12 in cones, vented | |
| Enclosure Materials | Exterior grade Baltic birch plywood | |
| Finish | Wear-resistant textured black paint | |
| Connectors | 2x Neutrik NL4 Speakon | |
| Hardware | Pole mount cup for 1-3/8 in diameter pole (4 ft length recommended) | |
| Grille | Powder coated perforated steel, foam backed | |
| Dimensions | inches | millimeters |
| | Height | 18.0 457 |
| | Width | 25.5 648 |
| | Depth | 30.0 762 |
| Weights | pounds | kilograms |
| | Net Weight | 105 47.7 |
| | Shipping Weight | 119 54.1 |
| Companion Systems | Any JFX full range loudspeaker | |



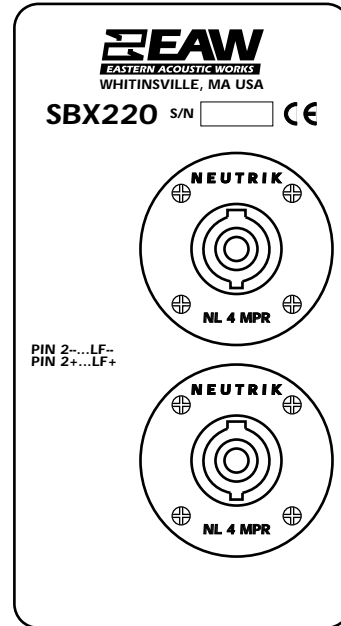


SPECIFICATIONS SBX220

DIMENSIONAL DRAWING



INPUT PANEL



Manufacturing tolerances are +/- 0.13 and +/- 1°

