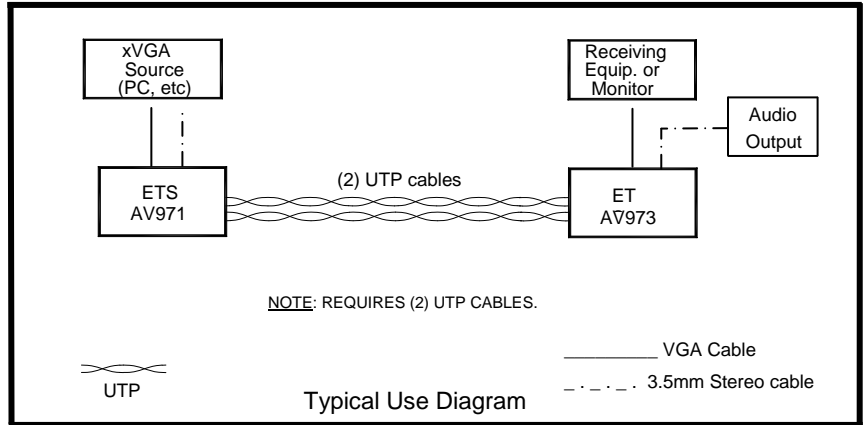


AV970 Series

VGA + Stereo Audio Video Balun, Set



Features/Advantages	Description	Applications
<ul style="list-style-type: none"> Run VGA/SVGA/XVGA and line level audio signals over CAT5 cable Compatible with all VGA/SVGA/XGA modes Rugged plastic cases Made in USA 100% tested 	<p>The ETS AV970 VGA Video + Stereo Audio Balun Set allows computer video + stereo audio signals that adhere to the VGA/SVGA/XVGA standards to be transmitted over Category 5 or better UTP cable. All modes and resolutions operate normally.</p> <p>Distance and quality of transmission are dependent on the type of cable used and monitor sync circuitry. Ordinary UTP cabling may be used; however, distance and quality are enhanced with Cat5 or better cable. The circuitry in the AV970 set of VGA video baluns is fully passive, requiring no external power.</p> <p>NOTE: For transmission, two Cat5 cables are required.</p>	<ul style="list-style-type: none"> Meeting Halls Churches Schools Classrooms Auditoriums Information Kiosks Monitoring Stations Trade Shows

Specifications		Product Ordering Information	
Bandwidth	Flat to 60MHz (video) / 10Hz to 20KHz (Audio)	AV970	Set, VGA+Stereo Audio Baluns: AV971 + AV973
Impedance	600:600 ohm (audio)	AV974	Set, VGA+Stereo Audio Baluns: AV971 + AV972
Connectors	15 pin HDD + 3.5mm mini plug + RCA jack to (2) RJ45 jacks Red: HDD 1 & 6 to 1 & 2 RJ45 jack (#1) Green: HDD 2 & 7 to 5 & 4 RJ45 jack (#1) Blue: HDD 3 & 8 to 7 & 8 RJ45 jack (#1) Hor-synch: HDD 13 & 10 to 5 & 4 RJ45 jack (#2) Vert-synch: HDD 14 & 10 to 7 & 8 RJ45 jack (#2) Audio: (L) RCA jack to 1 & 2 RJ45 jack (#2) Audio (R) RCA jack to 3 & 6 RJ45 jack (#2)	AV971	Computer End (Mini-Plug for Stereo Audio)
		AV972	Monitor End, VGA + Stereo mini jack to RJ45 jack
		AV973	Monitor End (RCA Jack for Stereo Audio)
Dimensions	140mm x 85mm x 40mm		
Net Weight	0.25 kg for AV971; 0.16 for AV973		

© Copyright 2005-2011 Energy Transformation Systems, Inc.
 FatCat5 System panels and information outlets protected under US Patent Number 6,123,577. FatCat5™, FatCat5 System™, Chameleon Color Coding System™, Balanced Star™, Balanced Line™, Monoline™ and Precision Wave™, InstaSnake™, CineSnake™ are trademarks of Energy Transformation Systems. All other brand or product names are or may be trademarks of, and are used to identify the products or services of their respective owners.
 Revised 10/03/2013



Energy Transformation Systems, Inc.
 43353 B Osgood Road, Fremont, CA 94539
 www.etslan.com
 800-752-8208 510-656-2012 Fax 510-656-2026

