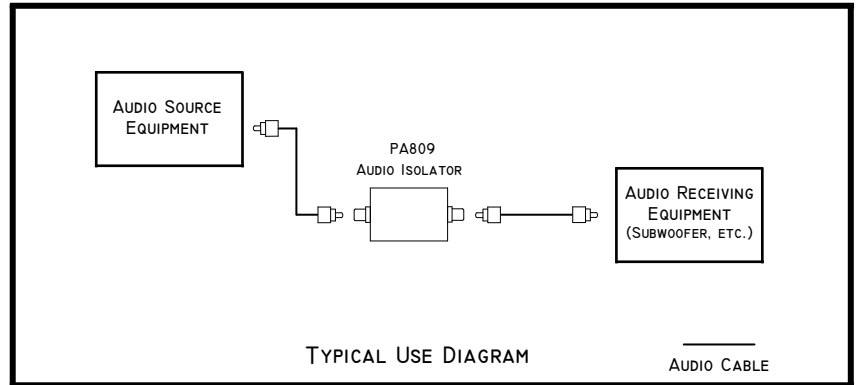


PA809 Audio Isolator

Analog Audio Isolator



Features/Advantages	Description	Applications
<ul style="list-style-type: none"> Eliminates ground loops Passive Device (needs no power) Rugged lightweight thermoplastic case Made in USA 100% tested Small footprint 	<p>Ground loops occur when multiple audio elements are connected to different outlets. Hum and “noise” in the audio signal are usually the result of ground loops in the system.</p> <p>The ETS PA809 solves this common audio problem of extraneous noise. Installing the PA809 Analog Audio Isolator between the source and the receiver eliminates hum, vastly improving the listening experience.</p> <p>The PA809 is conveniently equipped with RCA “pin-plug”-style female jacks at both input and output sides.</p> <p>Installing the PA809 is a ten-second operation—simply plug it in. No battery and no further maintenance are ever needed.</p>	<ul style="list-style-type: none"> Home theater systems Meeting halls Churches Conference rooms Classrooms Auditoriums Broadway theaters Seasonal venues

Specifications		Product Ordering Information	
Bandwidth	10 Hz to 20 kHz	PA809	Analog Audio Isolator – RCA jack to RCA jack
Connectors	RCA jack to RCA jack		
Impedance	600 ohm input		
Isolation	500V		
Signal level	1.0 V (nominal)		
Dimensions	70mm x 40mm x 26mm		
Case	Thermoplastic resin		
Net Weight	0.03 kg		

© Copyright 2013 Energy Transformation Systems FatCat5 System panels and information outlets protected under US Patent Number 6,123,577. FatCat5™, FatCat5 System™, Chameleon Color Coding System™, Balanced Star™, Balanced Line™, Monoline™ and Precision Wave™, InstaSnake™, CineSnake™ are trademarks of Energy Transformation Systems. All other brand or product names are or may be trademarks of, and are used to identify the products or services of their respective owners.

6/24/2013



Energy Transformation Systems, Inc.
 43353 B Osgood Road, Fremont, CA 94539
 www.etslan.com
 800-752-8208 Tel: 510-656-2012 Fax 510-656-2026

