



The 7751SRG-HD generates various analog bi-level & tri-level sync signals for both HD and SD applications. The 7751SRG-HD provides an analog genlock input that allows you to synchronize the sync signals to your plant horizontal and vertical timing.

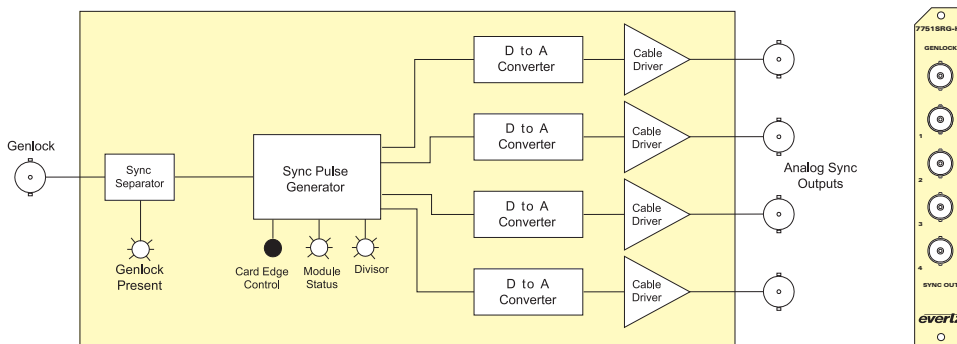
The 7751SRG-HD generates all analog sync signals defined by SMPTE ST 274 (1080i/p) and SMPTE ST 296 (720p) as well as those required for NTSC, PAL and slow PAL (625i/48) applications. Sync signals generated for NTSC, PAL and slow PAL applications are sync signals only and do not incorporate color burst signals.

The four independent sync outputs can be configured to output different sync signals. The common combinations of HDTV and SD analog sync outputs can be selected via card edge control.

In conjunction with the 7700ADA7 Analog Distribution Amplifier and the 7751TG2-HD HDTV Test Signal Generator, this module will fulfill all of your slave sync generation requirements.

Features & Benefits

- NTSC or PAL color black gen lock or free-runs with no genlock reference
- Phase adjustment of outputs with respect to gen lock input
- Selectable frame rate divisor of 1 or 1/1.001
- Wide variety of 1080i, 1035i, 1080p, 720p and NTSC/PAL/slow PAL sync output sync signals (excluding burst)
- HSDL tri-level sync for 2K data transfers
- Four separate analog sync signal outputs
- 6Hz or 1Hz TTL pulse shows relationship between HD & SD Sync outputs
- Eight position DIP switch selects combinations of sync signal available
- Card edge LEDs indicate gen lock presence, module fault
- VistaLINK® capable for remote monitoring, control and configuration capabilities via SNMP; using VistaLINK® PRO, CP-2116E or CP-2232E Control Panels, VistaLINK® is available when modules are used with the 3RU 7800FR frame and a 7700FC VistaLINK® Frame Controller module in slot 1 of the frame



Selectable Sync Output Options

	Output 1	Output 2	Output 3	Output 4
1	1080i/60	1080p/24sF	625i/48	6Hz Pulse
2	1080i/50	1080p/24sF	625i/48	1Hz Pulse
3	1080p/30	1080p/24sF	625i/48	6Hz Pulse
4	1080p/25	1080p/24sF	625i/48	1Hz Pulse
5	1080p/24	1080p/24sF	625i/48	625i/48
6	1080p/24sF	1080p/24sF	625i/48	625i/48
7	720p/60	1080p/24sF	625i/48	6Hz Pulse
8	1035i/60	1080p/24sF	625i/48	6Hz Pulse
9	1080i/60	720p/60	525i/59.94	525i/59.94
10	1080i/60 V Drive	1080p/24sF	625i/48	6Hz Pulse

1/1.001 Multiple Set Via DIP Switch Where Applicable (See 7751SRG-HD manual for more switch settings)

Specifications

Genlock Input: Type: NTSC or PAL Color Black 1V p-p Composite Bi-level sync (525i or 625i) 300mV Connector: 1 BNC per IEC 61169-8 Annex A Termination: 75Ω (jumper selectable)	Analog Sync Outputs: Number of Outputs: 4 Standard: SMPTE ST 274, ST 296, NTSC, PAL, 6Hz TTL, HDSL (selectable as per above table) NTSC/PAL signals are sync signals only (no burst) Connectors: 4 BNC per IEC 61169-8 Annex A Signal Level: HD Sync outputs: 600mV nominal tri-level SD Sync outputs: 300mV nominal bi-level 6Hz output: TTL	Electrical: Power: +12V DC Voltage: 6W EMV/RFI: Complies with FCC Part 15, Class A, EU EMC Directive. Physical (number of slots): 350FR: 1 7700FR-C: 1 7800FR: 1
--	--	---

Ordering Information

7751SRG-HD	HD-SDI Tri-Level Sync Generator	Accessories	
Ordering Options	Rear Plate and Fiber Connector must be specified at time of order (Eg. Model +3RU)	7700FC	VistaLINK® Frame Controller
Rear Plate Suffix		CP-2116E-H	Remote Control Panel
+3RU	3RU Rear Plate for use with 350FR, 7700FR-C, 7800FR Multiframe	CP-2232E	Remote Control Panel
+SA	Standalone Enclosure Rear Plate	Enclosures	
		350FR	3RU Portable Multiframe which holds up to 7 single slot modules
		7700FR-C	3RU Multiframe which holds up to 15 single slot modules
		7800FR	3RU Multiframe which holds up to 15 single slot modules
		7801FR	1RU Multiframe which holds up to 4 single or 2 dual slot modules
		S7701FR	Standalone enclosure