

# 7825DSK2-LG-HD & 7825DSK2-LG-3G

## 3G/HD/SD Dual Downstream Keyer with Internal Logo with VistaLINK® Support



The 7825DSK2-LG-HD and 7825DSK2-LG-3G Dual Downstream Keyer and Logo Inserter are complete packages that will insert simultaneous static or animated logos over a full bandwidth SDI program video signal.

The 7825DSK2-LG-HD and 7825DSK2-LG-3G have been designed to manage and store multiple logo objects. Logos are stored in non-volatile Flash memory and may be downloaded to the hardware via Ethernet FTP using the **overture™** software. Both models have two sets of key and fill inputs to allow for external keyer sources.

In addition to the support for two external keyers, up to 16 static or animated logos can be keyed simultaneously with independent fade control for each logo. The size of each logo is variable and ranges from 1/25th to full screen. The position of the logo, fade rates, and animation rates are also user controllable. They come with 512MB of playout cache and 2GB of compact flash storage.

The onboard preview allows you to cue your logos for position and content verification prior to going "On Air". The optional features of the 7825DSK2-LG-HD and 7825DSK2-LG-3G are an air temperature probe and a crawl option which provides the ability to insert crawls with static content.

The 7825DSK2-LG-HD and 7825DSK2-LG-3G are VistaLINK® capable, offering remote monitoring, control and configuration capabilities via Simple Network Management Protocol (SNMP). This product feature offers another solution to manage operations including signal monitoring and module configuration from SNMP-enabled control systems (Manager or NMS) locally or remotely.

### Features & Benefits

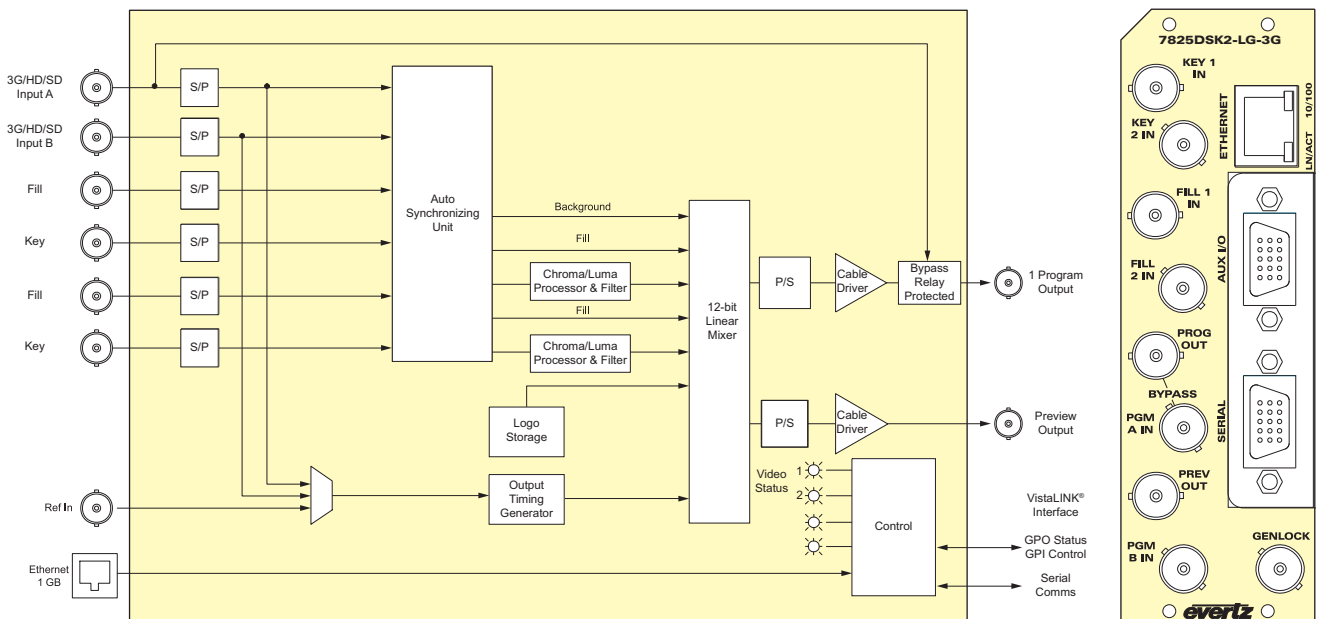
- Two downstream keyers with full preview
- Supports 525i/59.94, 625i/50, 720p/50, 720p/59.94, 1080p/60, 1080p/50, 1080i/50, and 1080i/59.94 video formats
- Full 12-bit linear keyer with video fade-in and fade-out processing
- Stores and inserts up to 16 static or animated logos with independent control of logo position, transparency and offset. Independent controls of fade in and fade out for static logos
- Download logos from a standard PC using Ethernet using **overture™** software
- 512MB of available playout cache; 2GB of compact flash storage
- LTC input for analog or digital 'Breakfast Clock' logos
- 16 channel embedded audio support
- Video input bypass relays for power failure bypass protection
- Voice-over support using embedded audio from program inputs/audio clip with configurable ducking level
- Multiple control interface options including GPI, RS-232 automation control
- Optional crawl support for static crawls
- Optional temperature probe for temperature logos
- Optional playout cache and compact flash upgrades

### Network Management

- Built in VistaLINK® support for remote monitoring and control via SNMP (using VistaLINK® PRO)
- The 7825DSK2-LG-HD and 7825DSK2-LG-3G modules do not require a 7700FC VistaLINK® Frame Controller. A direct Ethernet connection to the network for VistaLINK® operations must be provided by the user

### EAS Option

- Emergency alert crawls
- Interfaces to major vendors of EAS decoders (over IP)
- Maximum number of static logos reduced to 15



The Complete Solution Provider



# 7825DSK2-LG-HD & 7825DSK2-LG-3G

## 3G/HD/SD Dual Downstream Keyer with Internal Logo with VistaLINK® Support

### ► Specifications

|   |   |  |
|---|---|--|
| <p><b>Serial Video Input:</b><br/>Standard: 270Mb/s SMPTE ST 259-1, 525 or 625 line component 1.5Gb/s SMPTE ST 292-1 SMPTE ST 424 (3Gb/s) 1080p SMPTE ST 292-1 (1.5Gb/s), 1080i, 1035i, 720p SMPTE ST 259-1 (270Mb/s) 525i, 625i</p> <p>Number of Inputs: 2 Background, 2 Fill, 2 Key<br/>Connector: BNC per IEC 61169-8 Annex A<br/>Equalization: Automatic 300m @ 270 Mb/s, 100m @ 1.5Gb/s with Belden 1694 or equivalent cable</p> <p>Return Loss: &gt; 15dB up to 1.5Gb/s</p> <p><b>Serial Video Outputs:</b><br/>Number of Outputs: 1 Program, 1 Preview<br/>Standard: Same as input<br/>Connectors: BNC per IEC 61169-8 Annex A<br/>Signal Level: 800mV nominal<br/>DC Offset: 0V ±0.5V<br/>Rise and Fall Time: 750ps nominal<br/>Overshoot: &lt;10% of amplitude<br/>Wide Band Jitter: &lt; 0.2 UI</p> | <p><b>Video Reference:</b><br/>Type: NTSC or PAL Color Black 1 V p-p<br/>Connectors: BNC per IEC 61169-8 Annex A<br/>Termination: 75Ω</p> <p><b>LTC Reader (on breakout cable):</b><br/>Standard: SMPTE ST 12-1<br/>Frame Rate: 25 and 30 Fps nominal<br/>Connectors: 3 pin female XLR type connector<br/>Level: 0.2 to 4V p-p, balanced or unbalanced Control (on breakout cable)</p> <p>Remote Panel Port: 9 pin female "D", RS-422 9600 baud, 8 bits, no parity<br/>Remote control panel interface (only available on RCP or DCP versions)</p> <p>Serial Control Port: 9 pin female "D", RS-232/RS-422 8 bits, no parity, baud rate depends on protocol</p> <p>COM D Port: 9 pin female "D", RS-232/RS-422 8 bits, no parity, baud rate depends on protocol</p> <p>Selectable protocol: Automation, temperature probe interface</p> <p>Ethernet Port: RJ-45 100Base T Ethernet, TCP/IP, logo transfers, Virtual serial ports</p> | <p><b>General Purpose Inputs and Outputs:</b><br/>Number of Inputs: 8, programmable control functions<br/>Number of Outputs: 4, programmable tally functions<br/>Type: Opto-isolated, active low<br/>Connector: 15 pin female High-density D<br/>Signal Level: Pulled up to Vext supplied voltage 3.3V DC provided</p> <p><b>Electrical:</b><br/>Voltage: +12VDC<br/>Power: 30 W<br/>Safety: TÜV Listed<br/>Complies with EU safety directive<br/>Complies with FCC Part 15 Class A<br/>EU EMC Directive</p> <p>EMI/RFI:</p> <p><b>Physical (number of slots):</b><br/>7800FR: 2<br/>7801FR: 2</p> |
|---|---|--|

### ► Ordering Information

|   |   |
|---|---|
| <p><b>7825DSK2-LG-HD</b> HD/SD Dual Downstream Keyer with Internal Logo with VistaLINK® support</p> <p><b>7825DSK2-LG-3G</b> 3G/HD/SD Dual Downstream Keyer with Internal Logo with VistaLINK® support</p>  | <p><b>Rear Plate Suffix</b><br/><b>+3RU</b> 3RU Rear Plate for use with 7800FR Multiframe</p> <p><b>Enclosures</b><br/><b>7800FR</b> 3RU Multiframe which holds up to 15 single slot modules<br/><b>7801FR</b> 1RU Multiframe which holds up to 4 single or 2 dual slot modules</p> |
| <p><b>Ordering Options</b> Rear Plate must be specified at time of order (Eg. Model +3RU)</p> <p><b>+CWL</b> Optional crawl support (static contents)<br/><b>+TP</b> Optional Air temperature probe<br/><b>+E</b> Optional EAS crawl insertion (North America only)<br/><b>+CF8G</b> Upgrades compact flash from 1GB to 8GB<br/><b>+PC2G</b> Upgrades playout cache from 512MB to 2GB<br/><b>+PC4G</b> Upgrades playout cache from 512MB to 4GB<br/><b>+PC8G</b> Upgrades playout cache from 512MB to 8GB</p> |   |

\*Call factory for memory upgrade options

