

FEATURES

- Fits standard 5/8"–27 thread
- Made of Lexan, will not scratch microphone
- Microphone can be installed or removed quickly, without tools

DESCRIPTION AND APPLICATIONS

The Electro-Voice model 310 is designed to allow mounting of any cylindrical microphone with a three-quarter-inch case diameter on a microphone stand having standard 5/8-inch –27 threads. It may be used with Electro-Voice microphone models 647A, 649B, and 635A.

The Model 310 is constructed of durable Lexan, providing a positive non-slip grip on the microphone. Use of this new non-metallic material prevents marring or scratching the microphone case. No tools are required to mount the microphone in the clamp, allowing quick change from hand-held to stand use.

The clamp may be rotated approximately 180° to provide easy orientation of the microphone angle.

The Electro-Voice model 311 is identical to the model 310, except that configuration is altered to provide "snap-in" feature. Microphones may be inserted in model 311, or removed while "live" without introduction of excessive noise.

SPECIFICATIONS

Material: Lexan
 Finish: Black
 Weight: 2 ounces
 Dimensions:
 310: 2- 3/8" h x 15/16" diameter x 7/8" w
 311: 2-5/16" h x 15/16" diameter x 7/8" w
 Stand Thread: 5/8" –27 standard

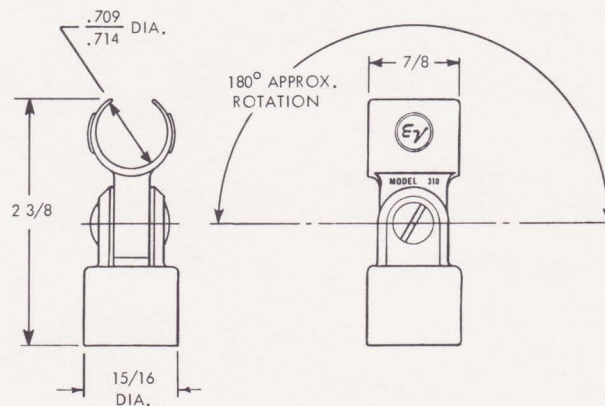


Figure 1-Dimensions-310

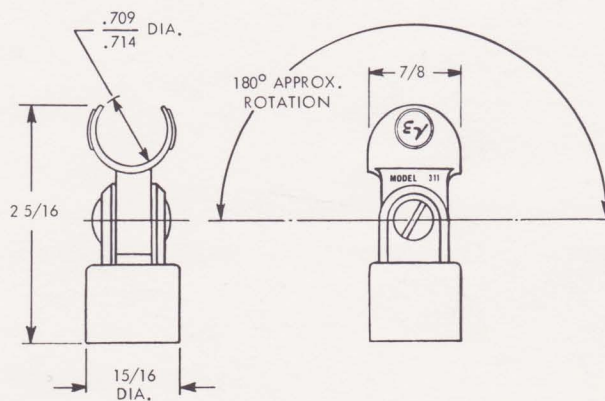


Figure 2-Dimensions-311

ENGINEERING DATA 310 & 311 MICROPHONE STAND CLAMPS

