



Electro-Voice®

a MARK IV company

Model 314E Windscreen

SPECIFICATIONS

Material:

Acoustifoam™

Weight:

3 grams (0.105 oz.)

Finish:

Charcoal gray

Size:

Fits Models RE10, RE15, 631B, 635A, 660, 660A and 664A microphones

Unique open-cell Acoustifoam material adds additional protection against dust, magnetic particles, moisture, etc., while also performing its primary function of screening out wind noise and annoying p-pops.

The Model 314E can be used with any microphone similar in shape to the 631B or 635A.

INSTALLATION

The 314E slips over the end of the microphone easily by hand. A snug fit is all that need be checked.

IMPORTANT NOTICE:

To accomplish the greatest possible wind blast reduction, it is recommended that a Model 513 filter be used with the microphone and the Model 314E. The 513 is

a low-frequency cutoff filter that provides high attenuation of frequencies below 100 Hz.

WARRANTY (Limited)

Electro-Voice Accessories are guaranteed for one year from date of original purchase against malfunction due to defects in workmanship and materials. If such malfunction occurs, unit will be repaired or replaced (at our option) without charge for materials or labor if delivered prepaid to the proper Electro-Voice service facility. Unit will be returned prepaid. Warranty does not extend to finish, appearance items or malfunction due to abuse or operation under other than specified conditions, nor does it extend to incidental or consequential damages. Some states do not allow the exclusion or limitation of incidental or consequential damages, so the above exclusion may not apply to you. Repair by other than Electro-Voice or its authorized warranty service agencies will void this guarantee. A list of authorized service centers is available from Electro-Voice, Inc., 600 Cecil Street, Buchanan, MI 49107 (AC/616-695-6831); Electro-Voice, Inc., or Electro-Voice West, 8234 Doe Avenue, Visalia, CA 93291 (AC/209-651-7777). This warranty gives you specific legal rights, and you may also have other rights which vary from state to state.

Service and repair address for this product: Electro-Voice, Inc., 600 Cecil Street, Buchanan, Michigan 49107.

Specifications subject to change without notice.

DESCRIPTION

The Model 314E is designed to be used as a windscreen for Models 631B and 635A microphones. It can also be used as a pop filter with the RE10, RE15, 660 and 664A microphones.

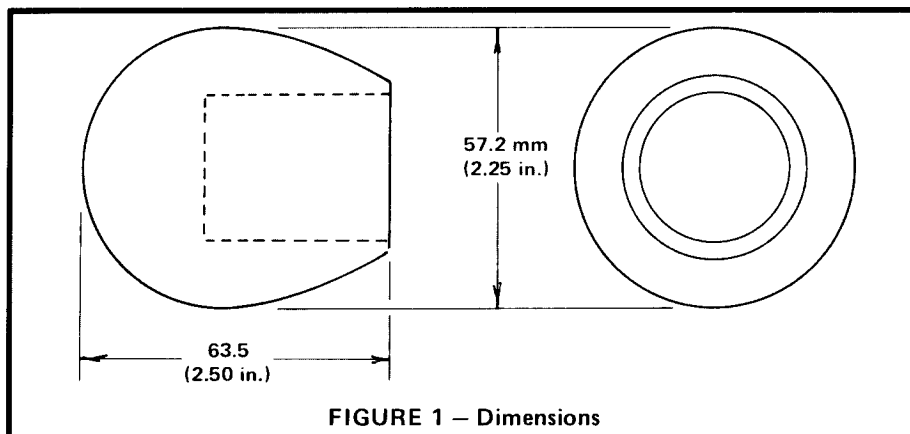


FIGURE 1 - Dimensions



ELECTRO-VOICE, INC., 600 Cecil Street, Buchanan, Michigan 49107

MANUFACTURING PLANTS AT ■ BUCHANAN, MI ■ NEWPORT, TN ■ SEVIERVILLE, TN ■ OKLAHOMA CITY, OK ■ GANANOQUE, ONT
©Electro-Voice, Inc. 1990 ■ Litho In U.S.A. Part Number 530213-538

a MARK IV company