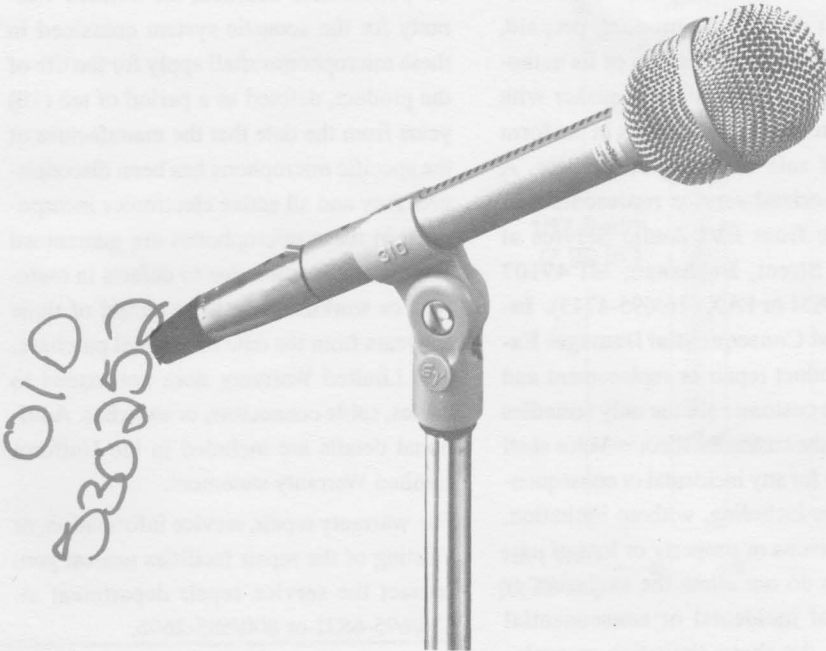


RE16

Variable-D® Dynamic Supercardioid Microphone

- Reduced proximity effect
- Effective internal pop protection
- Little off-axis coloration
- Hum-bucking coil and steel case offer excellent hum rejection
- Bass roll-off switch



Description and Applications

The Electro-Voice RE16 is a Variable-D® dynamic supercardioid microphone designed for the most exacting professional use. It is like the RE15, except that it uses a unique blast filter. The blast filter, an integral part of the RE16, permits handheld and outdoor use without "P-pops" or excessive wind noise. Utilizing the Variable-D® design the RE16 features a directional characteristic independent of frequency. The result is a microphone that generates little off-axis coloration while providing the greatest rejection of unwanted sounds. A supercardioid, the RE16 provides its greatest rejection at 150° off axis. (Supercardioids provide greatest rejection in the horizontal plane when the microphone is tilted in its most natural position -30° from horizontal, as on a boom or floor stand). An easily operated "bass tilt" switch corrects spectrum balance for boom use and other longer-reach situations.

A hum-bucking coil and screw-machined steel outer casing provides 25 dB of hum rejection. Hum pickup level is -125 dBm (re: .001 gauss field).

Using the mechanical nesting concept of design, by means of which the internal transducer parts are nested one within another, the RE16 transducer is a nearly solid me-

chanical structure that is highly resistant to damage from mechanical shock. The Memraflex™ grille screen resists deformation. The exclusive nonmetallic Electro-Voice Acoustalloy® diaphragm is virtually unaffected by extreme atmospheric conditions. A carefully designed steel outer case provides additional mechanical protection. The finish is nonreflecting fawn beige.

Architects' and Engineers' Specifications

The microphone shall be a Variable-D® supercardioid dynamic type with integral blast filter and with wide-range response uniform from 80-15,000 Hz. Proximity effect shall be 10 dB less at 100 Hz than with comparable Single-D designs. Response at any angular position away from the major axis shall be essentially similar to the response on the major axis, attenuated uniformly at all frequencies by an amount appropriate to that angular position. Attenuation at frequencies from 100-4,000 Hz (referred to major axis signal value) shall exceed 25 dB at 150° from major axis in any plane. Attenuation at 180° from major axis at frequencies from 100-4,000 Hz shall exceed 15 dB. Attenuation above 4,000 Hz shall exceed 12 dB. Polar characteristics shall be sufficiently

uniform in all planes so that it is, effectively, a supercardioid of revolution.

A hum-bucking coil shall be provided in series with the microphone element. Hum pickup level shall be -125 dBm (re: .001 gauss field). The hum-bucking coil shall decrease hum pickup by at least 25 dB. An integral passive-filter network shall be provided such that when filter switch is in "on" position, low-frequency response shall be so deviated from "flat" response that a fall of 6 dB from 1,000-100 Hz shall be effected. With switch in "off" position, microphone shall be essentially "flat" from 100-1,500 Hz, with a 6-dB rise in response from 50-100 Hz, and a 2-dB rise occurring at 2,000 Hz extending to 12,000 Hz. Output level shall be -56 dB (0 dB = 1 mW/10 dynes/cm²), and EIA sensitivity rating shall be nonmetallic Acoustalloy® and shall have a shield to prevent dust particles from reaching the diaphragm.

The case shall be made of steel. The microphone shall have a maximum diameter of 45.2 mm (1.78 in.), with 19.1 mm (0.75 in.) diameter shank and a maximum length of 187.3 mm (7.38 in.). Finish shall be fawn beige. Stand adapter and carrying pouch shall be supplied.

The Electro-Voice RE16 is specified.

RE 16 Variable-D[®] Dynamic Supercardioid Microphone

Uniform Limited Warranty

Electro-Voice products are guaranteed against malfunction due to defects in materials or workmanship for a specified period, as noted in the individual product-line statement(s) below, or in the individual product data sheet or owner's manual, beginning with the date of original purchase. If such malfunction occurs during the specified period, the product will be repaired or replaced (at our option) without charge. The product will be returned to the customer prepaid.

Exclusions and Limitations: The Limited Warranty does not apply to: (a) exterior finish or appearance; (b) certain specific items described in the individual product-line statement(s) below, or in the individual product data sheet or owner's manual; (c) malfunction resulting from use or operation of the product other than as specified in the product data sheet or owner's manual; (d) malfunction resulting from misuse or abuse of the product; or (e) malfunction occurring at any time after repairs have been made to the product by anyone other than EVI Audio Service or any of its authorized service rep-

representatives. **Obtaining Warranty Service:** To obtain warranty service, a customer must deliver the product, prepaid, to EVI Audio Service or any of its authorized service representatives together with proof of purchase of the product in the form of a bill of sale or receipted invoice. A list of authorized service representatives is available from EVI Audio Service at 600 Cecil Street, Buchanan, MI 49107 (800/234-6831 or FAX 616/695-4743). **Incidental and Consequential Damages Excluded:** Product repair or replacement and return to the customer are the only remedies provided to the customer. Electro-Voice shall not be liable for any incidental or consequential damages including, without limitation, injury to persons or property or loss of use. Some states do not allow the exclusion or limitation of incidental or consequential damages so the above limitation or exclusion may not apply to you. **Other Rights:** This warranty gives you specific legal rights, and you may also have other rights which vary from state to state.

Electro-Voice Wired Microphones are guaranteed against malfunction from any

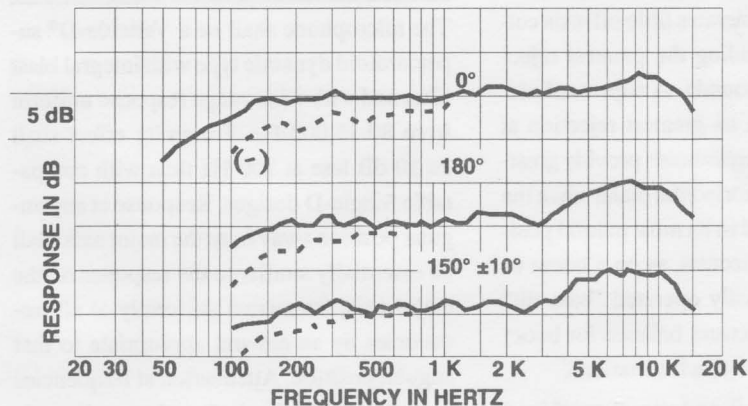
cause for two (2) years from the date of original purchase. In addition, the Limited Warranty for the acoustic system contained in these microphones shall apply for the life of the product, defined as a period of ten (10) years from the date that the manufacture of the specific microphone has been discontinued. Any and all active electronics incorporated in these microphones are guaranteed against malfunction due to defects in materials or workmanship for a period of three (3) years from the date of original purchase. The Limited Warranty does not extend to cables, cable connectors, or switches. Additional details are included in the Uniform Limited Warranty statement.

For warranty repair, service information, or a listing of the repair facilities nearest you, contact the service repair department at: 616/695-6831 or 800/685-2606.

For technical assistance, contact Technical Support at 800/234-6831 or 616/695-6831, M-F, 8:00 a.m. to 5:00 p.m. Eastern Standard time.

Specifications subject to change without notice.

Figure 1—Frequency Response



RE 16 Variable-D[®] Dynamic Supercardioid Microphone

Figure 2—Dimensions

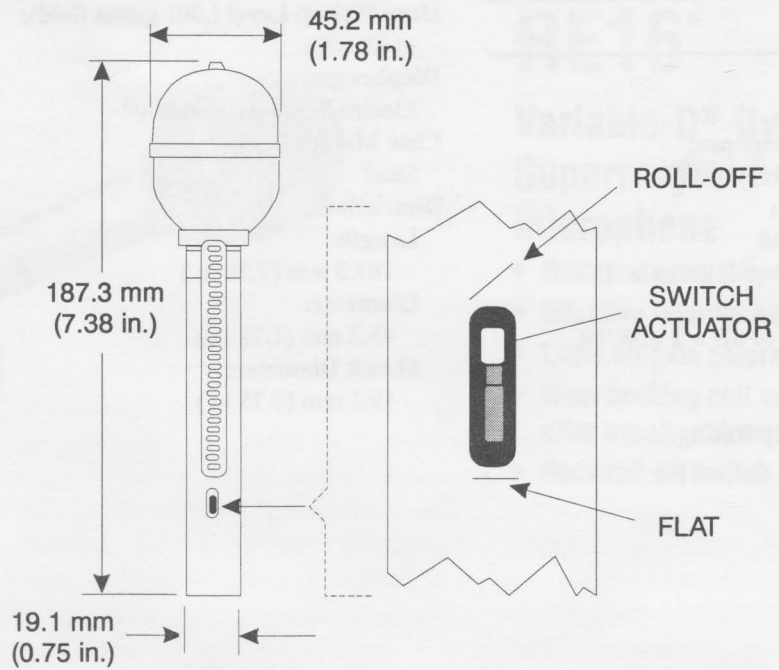


Figure 3—Polar Response
scale is 5 decibels per division

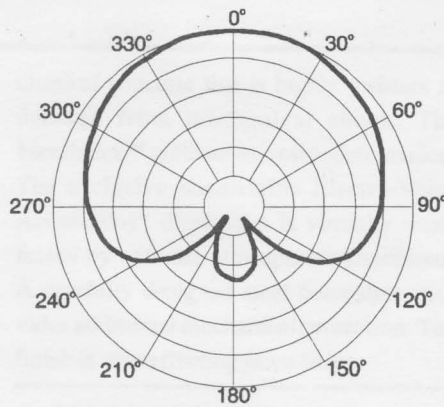
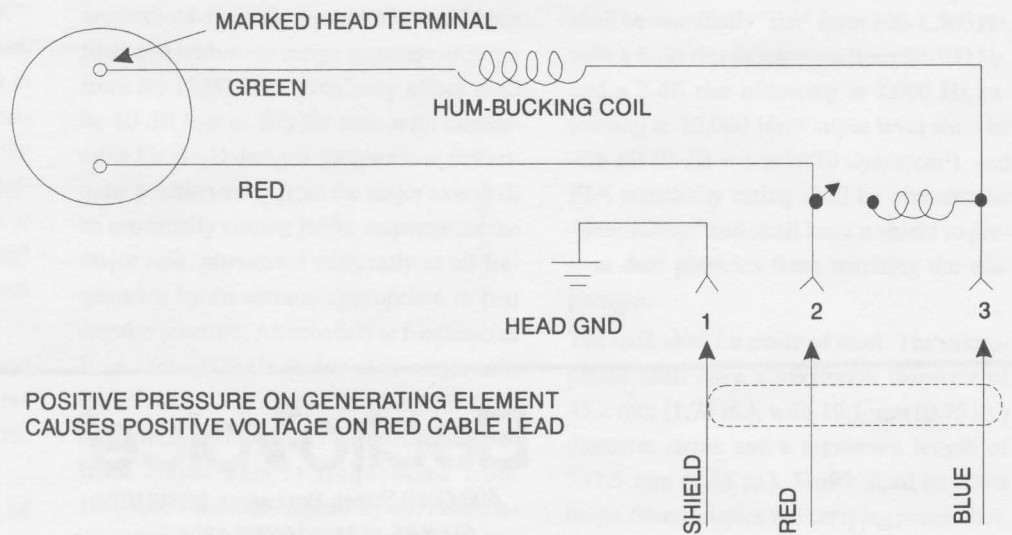


Figure 4—Wiring Diagram



RE16 Variable-D[®] Dynamic Supercardioid Microphone

Specifications

Element:

Dynamic

Frequency Response:

80-15,000 Hz

Polar Pattern:

Supercardioid

Impedance, Low-Z (nominal):

150 ohms

Output Level (0 dB = 1 mW/10

dynes/cm²):

-56 dB

EIA Sensitivity Rating:

-150 dB

Hum Pickup Level (.001 gauss field):

-125 dBm

Diaphragm:

Electro-Voice Acoustalloy[®]

Case Material:

Steel

Dimensions,

Length:

187.3 mm (7.38 in.)

Diameter:

45.2 mm (1.78 in.)

Shank Diameter:

19.1 mm (0.75 in.)

Finish:

Fawn beige

Net Weight:

227 g (8 oz)

Accessories Furnished:

Stand adapter

Pouch

Optional Accessories:

307A suspension shock mount

313A shock mount

340 security clamp

422 or 423B desk stand

Electro-Voice[®]

600 Cecil Street, Buchanan, MI 49107

616/695-6831, 616/695-1304 Fax

©EVI Audio, 1997 • Litho in U.S.A.