

PA1250T
Single-Channel
Power Amplifier



Key Features:

- 1 x 270W at 70/100V
- 2 U Rack Space Chassis
- Stepped Rear Level Controls
- Complete Protection Package
- Selectable 50 Hz or 300 Hz Hi-Pass Filter
- Phoenix Type Input
- Phoenix Type Output
- High Efficiency Circuit Design
- Front Panel Power On/Off



General Description:

The Electro-Voice® PA1250T is from the PA series of professional commercial audio amplifiers. The direct path airflow design reduces the heat buildup significantly and allows for more reliable operation in slim two rack space chassis. The audio performance of the PA1250T is superior and fulfills the requirements in many demanding long term applications from sound reinforcement, paging or life safety installations.

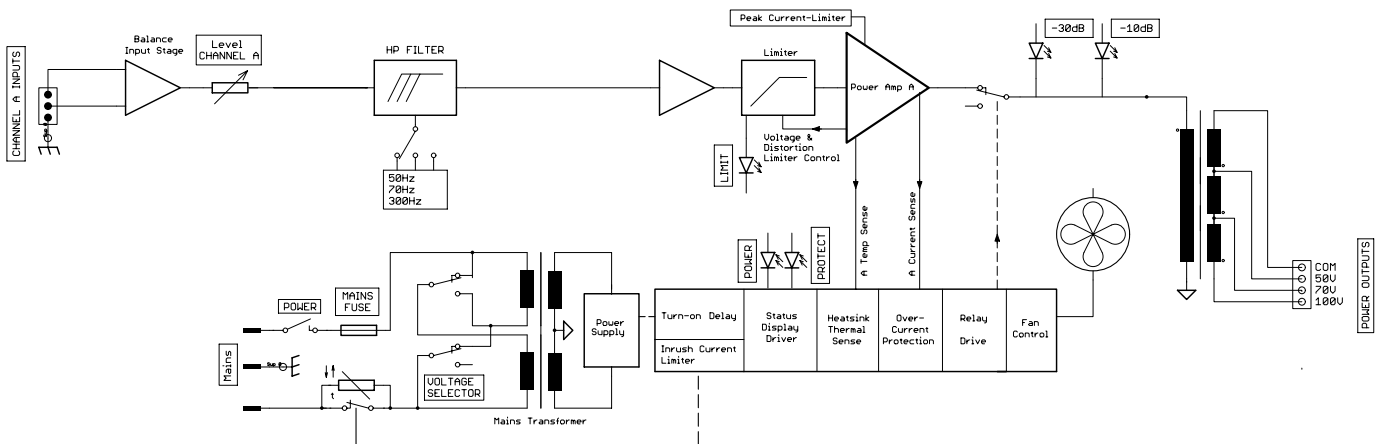
High performance toroidal power and output transformers combine clean saturation free audio performance with cool running operation. The PA1250T features many of the same comprehensive protection circuits typical in EV amplifiers. Complete protection is provided for high temperature, audio limiters, power up delay and peak current limiters. In addition to the rated output power, the PA1250T provides excellent headroom for a wide dynamic range on music signals. The onboard dynamic limiter ensures that the output clipping of the PA1250T will not will not generate excessive distortion. A detented and marked level control on the rear panel provides hidden reliable level adjustments for the channel. Front panel LED indicates signal present, 0 dB, and limit. Phoenix type connectors for inputs and outputs provide easy rack wiring.

Technical Specifications:

Number of Channels	1
Load Impedance	70V/100V
Rated Output Power (*Rated Load) THD<1%, 1kHz	270W
Rated Output Power (*Rated Load) THD<0.2%, 20Hz...20kHz	250W
Slew Rate at 1kHz	41V/μs
Frequency Response, -1dB, Ref. 1kHz	65Hz - 20kHz
Power Bandwidth THD=1%, Ref. 1kHz, Half Power	45Hz - >20kHz
Input Impedance, 20Hz ... 20kHz, Balanced	>20kOhm
Signal-to-Noise Ratio, A-Weighted	103 dB
Input Sensitivity at Rated Output Power or Voltage, 1kHz	0dBu (775mV)
THD at rated output power, MBW=80kHz, 1kHz	<0.1%
IMD-SMPTE, 60Hz, 7kHz	<0.1%
DIM30, 3.15kHz, 15kHz	<0.1%
Power Requirements	120V or 230V, 50Hz - 60Hz
Protection	Audio Limiters High Temperature Peak Current Limiters Turn-On Delay
Cooling	Front-to-Rear
Dimensions (W x H x D), mm	483 x 88 x 406mm (2Ru) 19" x 3.5" x 16"
Weight	16.5kg (36.34lbs)

Low Impedance Outputs:
 - Min. Rated Load for Single Channel Operation is 4 Ohms. 2 Ohm Load is Not Recommended.
 - Min. Rated Load for Bridged Operation is 8 Ohms. 4 Ohm Load is Not Recommended.

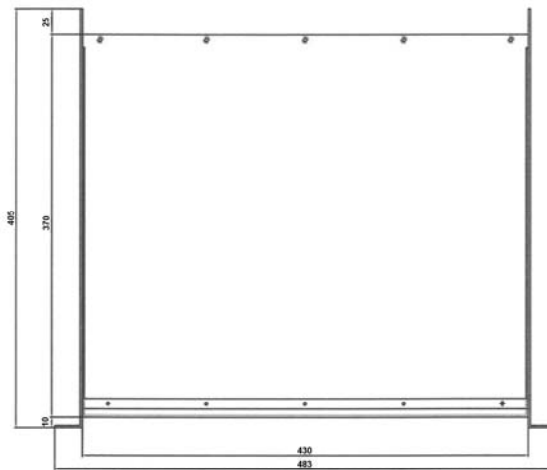
Block Diagram:



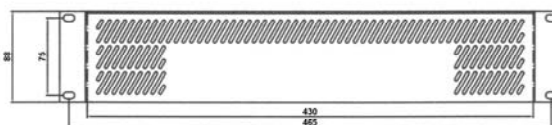
Dimension Drawings:

All Dimensions
in Millimeters

Top View

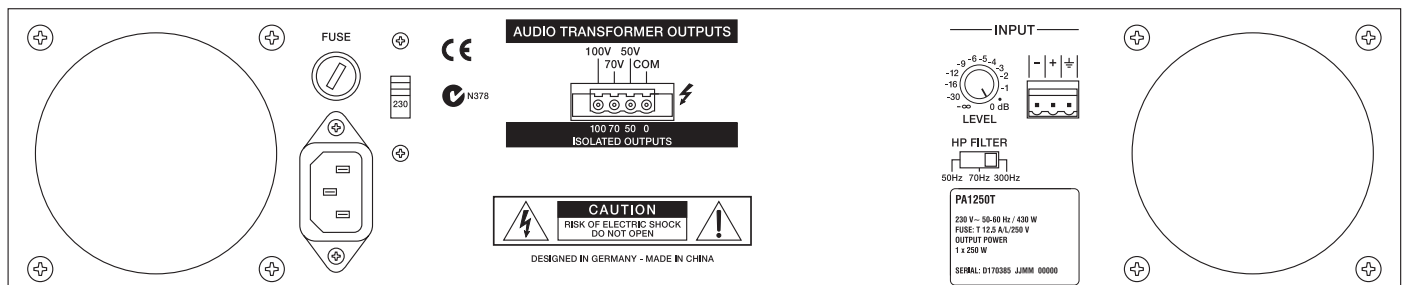


Front View



PA1250T Part Number:
PA1250T, 120V -- D170405

Rear View:



Electro-Voice®

12000 Portland Avenue South, Burnsville, MN 55337
Phone: 952/884-4051, Fax: 952/884-0043

www.electrovoice.com

© Telex Communications, Inc. 1/2006
Part Number LIT-0000XX Rev 1

U.S.A. and Canada only. For customer orders, contact Customer Service at:

800/392-3497 Fax: 800/955-6831

Europe, Africa, and Middle East only. For customer orders, contact Customer Service at:

+ 49 9421-706 0 Fax: + 49 9421-706 265

Other International locations. For customer orders, contact Customer Service at:

+ 1 952 884-4051 Fax: + 1 952 736-4212

For warranty repair or service information, contact the Service Repair department at:

800/685-2606

For technical assistance, contact Technical Support at: **866/78AUDIO**

Specifications subject to change without notice.