

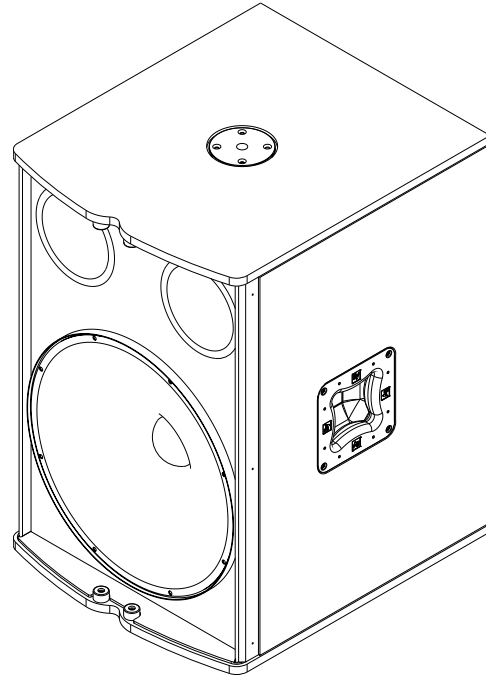
TX1181

TX1181
Single 18"
Direct-Radiating
Subwoofer



Key Features:

- EVS-18S 18" (457mm) LF Transducer
- 100 dB Sensitivity, 132 dB Maximum SPL
- Integrated Low Pass Filter with 6 dB/Octave Slope
- 500W Continuous (2000W Peak) Power Handling
- Pole Mount to Elevate a Two-Way Loudspeaker
- Mounting Points to Attach Optional TX-W1 Wheel Kit



General Description:

The Electro-Voice® TX1181 is a high power subwoofer that can be used to extend the low frequency performance of the TX1122 and TX1152 loudspeaker systems.

The TX1181 uses the EVS-18S, a high excursion 18" woofer, coupled to well braced enclosure with large, low distortion ports, to add high impact bass response to any fullrange loudspeaker. An integrated low pass filter allows the TX1181 to be connected in parallel with a TX1122 or TX1152 on a single amplifier channel, eliminating the need for additional amplifier channels and processing.

The TX1181 has many features that make it a versatile subwoofer system. The enclosure is constructed out of a combination of MDF and plywood, and coated with EVCoat™ for maximum strength and durability. The unique grille design is very strong, dent resistant, and features a rotatable logo. Four way handles allow for gripping the TX1181 in a variety of positions. The recessed input panel with dual NL4 connectors keeps the connectors hidden and allows for closer placement to a wall or other boundary. An integrated pole mount allows for elevating a TX1122 or TX1152, and integrated mounting points on the rear of the enclosure allow the optional TX-W1 wheel kit to be attached for easy portability.

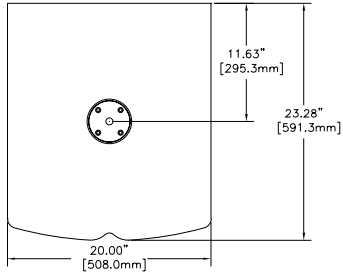
Technical Specifications:

| | |
|--------------------------------------|--|
| Freq. Response ¹ (-3 dB): | 50 Hz - 160 Hz |
| Freq. Range ¹ (-10 dB): | 45 Hz - 700 Hz |
| Rec. Hipass Frequency: | 30 Hz |
| Axial Sensitivity ¹ : | 100 dB (1W/1m) |
| Max. Calculated SPL ¹ : | 132 dB |
| Horizontal Coverage: | Omnidirectional |
| Vertical Coverage: | Omnidirectional |
| Power Handling: | 500W Continuous, 2000W Peak |
| LF Transducer: | EVS-18S, 18 in (457mm) Driver |
| Nominal Impedance: | 8 Ohms |
| Minimum Impedance: | 7.5 Ohms |
| Connectors: | (2) Neutrik Speakon NL4's |
| Enclosure Material: | Plywood and MDF with EVCoat™ |
| Grille: | 16 GA Steel, Black Powdercoat, with Rotatable Logo |
| Dimensions (H x W x D): | 30.3" x 20.0" x 23.3" (769mm x 508mm x 591mm) |
| Net Weight: | 74.5 lbs (33.8 kg) |
| Shipping Weight: | 88.0 lbs (40.0 kg) |

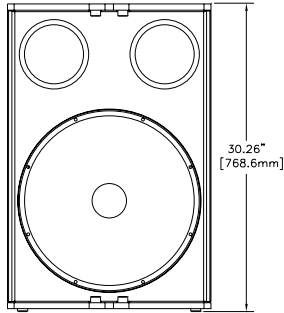
¹ Half Space Measurement.



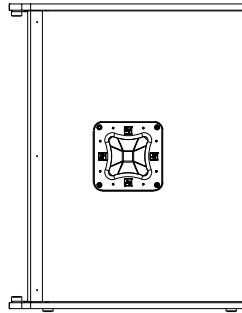
Dimension Drawings:



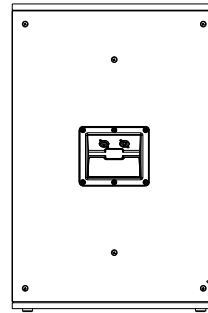
Top View



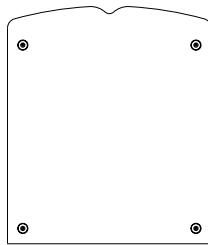
Front View



Right View

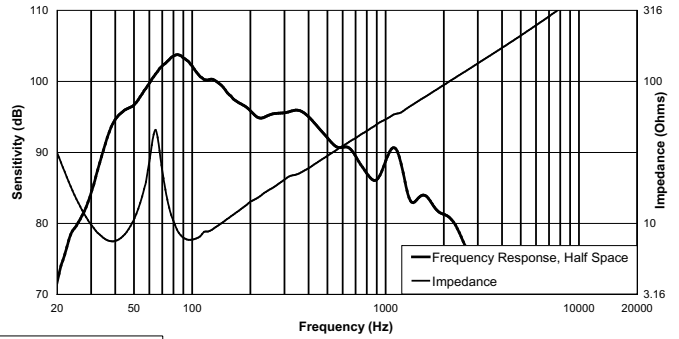


Rear View



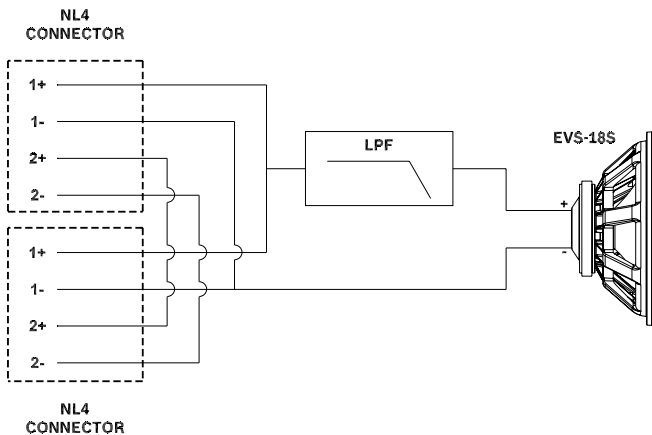
Bottom View

Frequency Response & Impedance:



(6) Mounting Points
for Optional TX-W1
Wheel Kit

Block Diagram:



TX1181 Part Numbers

- PRD000142-001 TX1181, Single 18" Sub, Black Finish

Performance Match

- PRD000138-001 TX1122, Single 12" Two Way, 90° x 50° Full-Range, Black Finish
- PRD000139-001 TX1152, Single 15" Two Way, 60° x 40° Full-Range, Black Finish
- F01U076827 Q99 Power Amplifier, 2 x 900W @ 4 Ohms, 2U, 120V
- PRD000043-001 DC-One, 120V Digital Loudspeaker Controller

Accessories

- 301397-135 PCL35, Steel Threaded Subwoofer Pole, Black
- ACC000043-000 TX-W1, Wheel Kit for TX1181 and TX2181, Black

Electro-Voice®

12000 Portland Avenue South, Burnsville, MN 55337
Phone: 952/884-4051, Fax: 952/884-0043

www.electrovoice.com

© Bosch Communications Systems

04/2009

Part Number LIT000179 Rev B

U.S.A. and Canada only. For customer orders, contact Customer Service at:
800/392-3497 Fax: 800/955-6831

Europe, Africa, and Middle East only. For customer orders, contact Customer Service at:
+ 49 9421-706 0 Fax: + 49 9421-706 265

Other International locations. For customer orders, Contact Customer Service at:
+ 1 952 884-4051 Fax: + 1 952 887-9212

For warranty repair or service information, contact the Service Repair department at:
800/685-2606

For technical assistance, contact Technical Support at: 866/78AUDIO

Specifications subject to change without notice.