

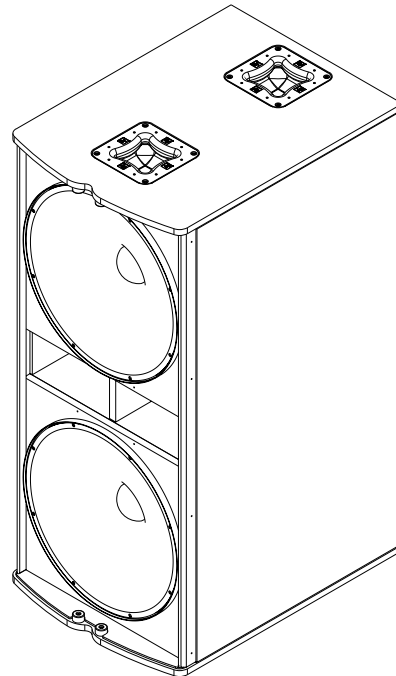
# TX2181

TX2181  
Dual 18"  
Direct-Radiating  
Subwoofer



## Key Features:

- Dual EVS-18S 18" (457mm) LF Transducers
- 103 dB Sensitivity, 138 dB Maximum SPL
- 1000W Continuous (4000W Peak) Power Handling
- Four Integrated Handles for Easy Portability
- Mounting Points to Attach Optional TX-W1 Wheel Kit



## General Description:

The Electro-Voice® TX2181 is a dual subwoofer system that is designed to add high-output, high-impact bass response to the TX2152 loudspeaker system.

The TX2181 can move tremendous amounts of air, thanks to dual EVS-18S high excursion woofers, a well braced enclosure, and a low distortion port design. The EVS-18S woofers feature a 4-layer voice coils and cast frames for high power handling and maximum durability. The TX2181 is designed to be used with a processor and a dedicated amplifier channel in a biamp configuration.

The TX2181 has many features that make it a versatile subwoofer system. The enclosure is constructed out of a combination of MDF and plywood, and coated with EVCoat™ for maximum strength and durability. The unique grille design is very strong, dent resistant, and features a rotatable logo. Four way handles allow for gripping the TX2181 in a variety of positions. The recessed input panel with dual NL4 connectors keeps the connectors hidden and allows for closer placement to a wall or other boundary. The TX2181 is the same width and height as the TX2152, providing a single column appearance when stacked, and uses the minimum amount of space when stored or transported. Mounting points on the rear of the enclosure allow the optional TX-W1 wheel kit to be attached for easy portability.

## Technical Specifications:

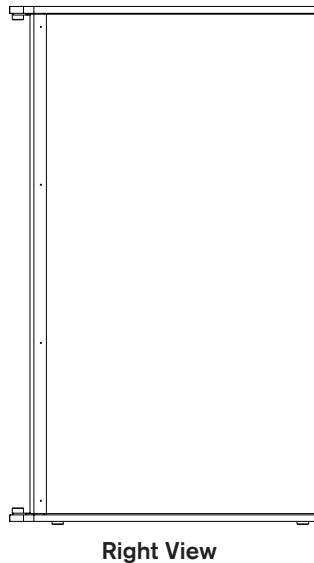
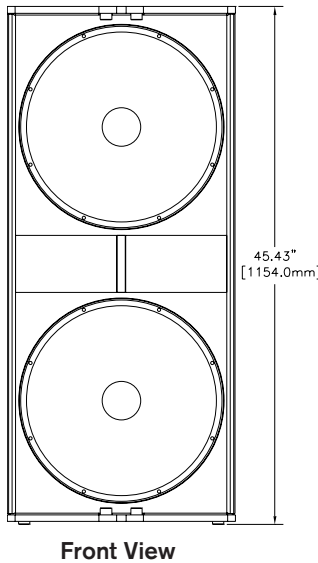
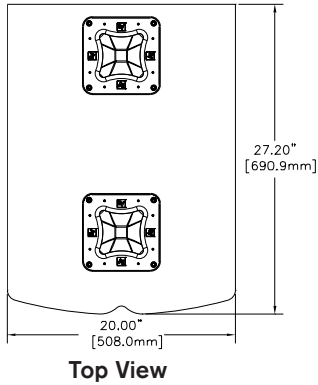
|                                      |  |
|--------------------------------------|--|
| Freq. Response <sup>1</sup> (-3 dB): | 50 Hz - 160 Hz                                     |
| Freq. Range <sup>1</sup> (-10 dB):   | 40 Hz - 1.5 kHz                                    |
| Rec. Low Pass Frequency:             | 80 Hz - 120 Hz                                     |
| Axial Sensitivity <sup>1</sup> :     | 103 dB (1W/1m)                                     |
| Max. Calculated SPL <sup>1</sup> :   | 138 dB   |
| Horizontal Coverage:                 | Omnidirectional                                    |
| Vertical Coverage:                   | Omnidirectional                                    |
| Power Handling:                      | 1000W Continuous, 4000W Peak                       |
| LF Transducers:                      | (2) EVS-18S, 18 in (457mm) Drivers                 |
| Nominal Impedance:                   | 4 Ohms   |
| Minimum Impedance:                   | 2.9 Ohms   |
| Connectors:                          | (2) Neutrik Speakon NL4's                          |
| Enclosure Material:                  | Plywood and MDF with EVCoat™                       |
| Grille:                              | 16 GA Steel, Black Powdercoat, with Rotatable Logo |
| Dimensions (H x W x D):              | 45.4" x 20.0" x 27.2"<br>(1154mm x 508mm x 691mm)  |
| Net Weight:                          | 123.5 lbs (56.1 kg)                                |
| Shipping Weight:                     | 139.0 lbs (63.1 kg)                                |

<sup>1</sup> Half Space Measurement.

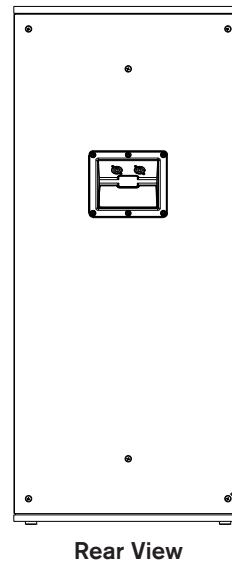
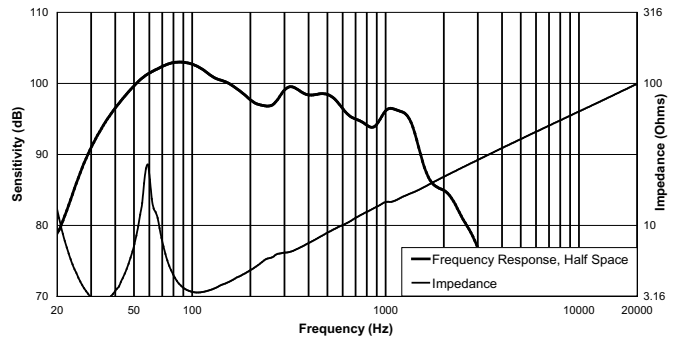
Live For Sound  
www.electrovoice.com



## Dimension Drawings:

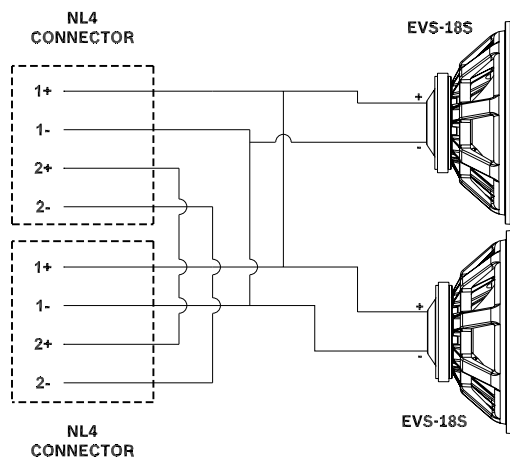


## Frequency Response & Impedance:



(6) Mounting Points  
for Optional TX-W1  
Wheel Kit

## Block Diagram:



### TX2181 Part Numbers

- PRD000143-001 TX2181, Dual 18" Sub, Black Finish

### Performance Match

- PRD000139-001 TX1152, Single 15" Two Way, 60° x 40° Full-Range, Black Finish
- PRD000140-001 TX2152, Dual 15" Two Way, 60° x 40° Full-Range, Black Finish
- F01U076828 Q1212 Power Amplifier, 2 x 1200W @ 4 Ohms, 2U, 120V
- PRD000043-001 DC-One, 120V Digital Loudspeaker Controller

### Accessories

- ACC000043-000 TX-W1, Wheel Kit for TX1181 and TX2181, Black

# Electro-Voice®

12000 Portland Avenue South, Burnsville, MN 55337  
Phone: 952/884-4051, Fax: 952/884-0043

www.electrovoice.com

© Bosch Communications Systems

04/2009

Part Number LIT000180 Rev B

U.S.A. and Canada only. For customer orders, contact Customer Service at:  
**800/392-3497 Fax: 800/955-6831**

Europe, Africa, and Middle East only. For customer orders, contact Customer Service at:

**+ 49 9421-706 0 Fax: + 49 9421-706 265**

Other International locations. For customer orders, Contact Customer Service at:

**+ 1 952 884-4051 Fax: + 1 952 887-9212**

For warranty repair or service information, contact the Service Repair department at:

**800/685-2606**

For technical assistance, contact Technical Support at: **866/78AUDIO**

Specifications subject to change without notice.