

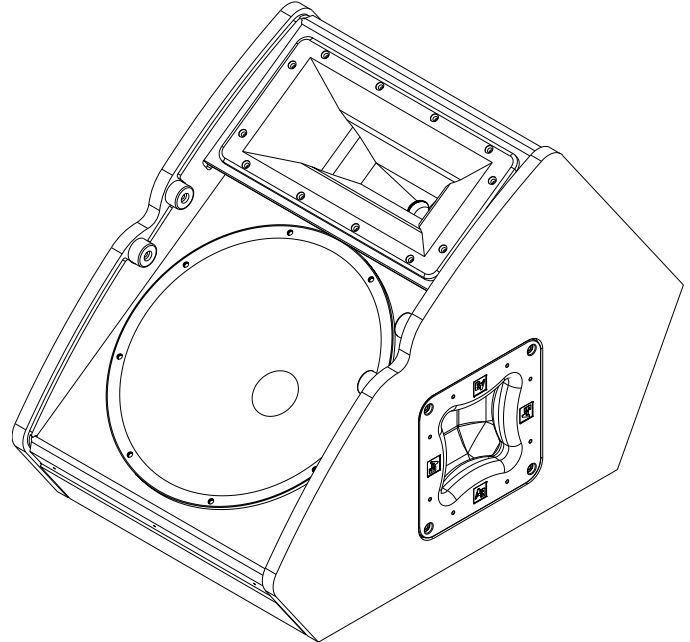
# TX1122FM

**TX1122FM**  
Single 12" Two-Way,  
90° x 50° Full-Range  
Vertical Floor Monitor



## Key Features:

- 55° Compact Vertical Floor Monitor with Signal Synchronized Transducers™
- 99 dB Sensitivity, 132 dB Maximum SPL
- DH3 1.25" (32mm) Diaphragm, 1" (25mm) Exit Pure Titanium Compression Driver
- SMX2121 12" (305mm) LF Transducer with Fully Symmetric Drive
- Integrated Crossover with Steep 24 dB/Octave Slopes and HF Protection
- 90° x 50° Coverage Pattern
- 500W Continuous (2000W Peak) Power Handling



## General Description:

The Electro-Voice® TX1122FM is a compact, high output dedicated floor monitor for use on small to medium-sized stages where high quality vocal and instrument applications are required in a lightweight package.

The TX1122FM enclosure utilizes Signal Synchronized Transducers™ (patent pending), a design that aligns the woofer and compression driver by locating them on separate baffles, and integrates a low distortion port between the baffles. This offers tremendous advantages over traditional flat baffle construction: the acoustic centers of the woofer and compression driver are closer together, synchronizing arrival time; the voice coils of the compression driver and woofer are in the same plane, achieving linear phase response; and the size of both baffles are smaller than a single baffle; resulting in a smaller footprint.

The TX1122FM utilizes the DH3, a high output 1.25" titanium compression driver, coupled to a Constant Directivity™ 90° x 50° horn. The SMX2121 12" woofer has an FEA optimized magnet structure and shorting ring for ultra low distortion. The crossover uses steep 24 dB/octave slopes with equalization for very smooth response in vocal range, and has a built in protection circuit for long term reliability. The combination of the transducers, enclosure, and crossover result in a compact floor monitor that is capable of very high output levels before feedback.

The TX1122FM has a variety of features that make it well suited as a dedicated floor monitor. The internally braced enclosure is constructed out of a combination of plywood and MDF, and coated with EVCoat™ for maximum strength and durability. The unique grille design is very strong and dent resistant, and features a rotatable logo. Four way handles allow for gripping the TX1122FM in a variety of positions. The recessed input panel with dual NL4 connectors is located on the rear of the enclosure, which keeps the connectors hidden and away from the performers on stage.

## Technical Specifications:

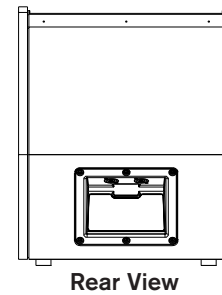
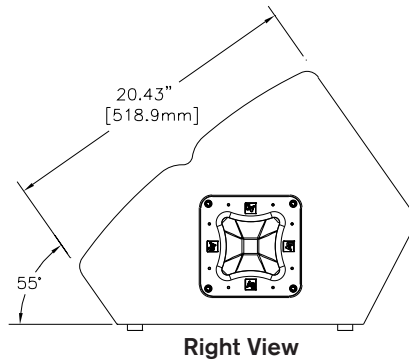
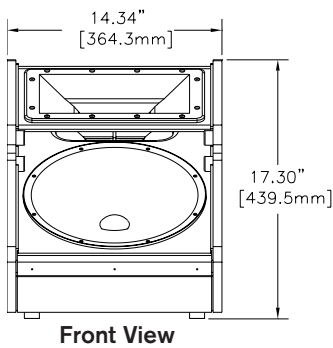
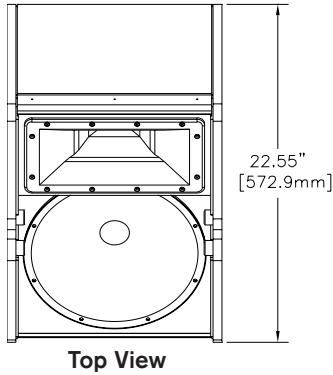
Freq. Response <sup>1</sup> (-3 dB):	70 Hz - 20 kHz
Freq. Range <sup>1</sup> (-10 dB):	55 Hz - 20 kHz
Rec. Hipass Frequency:	60 Hz
Axial Sensitivity:	99 dB (1W/1m)
Max. Calculated SPL:	132 dB
Horizontal Coverage:	90°
Vertical Coverage:	50°
Power Handling:	500W Continuous, 2000W Peak
LF Transducer:	SMX2121, 12 in (305mm) Driver
HF Transducer:	DH3, 1.25 in (32mm) Diaphragm Compression Driver
Crossover Frequency:	1600 Hz
Nominal Impedance:	8 Ohms
Minimum Impedance:	6.4 Ohms
Connectors:	(2) Neutrik Speakon NL4's
Enclosure Material:	Plywood and MDF with EVCoat™
Grille:	16 GA Steel, Black Powdercoat, with Rotatable Logo
Dimensions (H x W x D):	17.3" x 14.3" x 22.6" (440mm x 364mm x 573mm)
Net Weight:	43.7 lbs (19.8 kg)
Shipping Weight:	49.2 lbs (22.4 kg)

<sup>1</sup> Half Space Measurement.

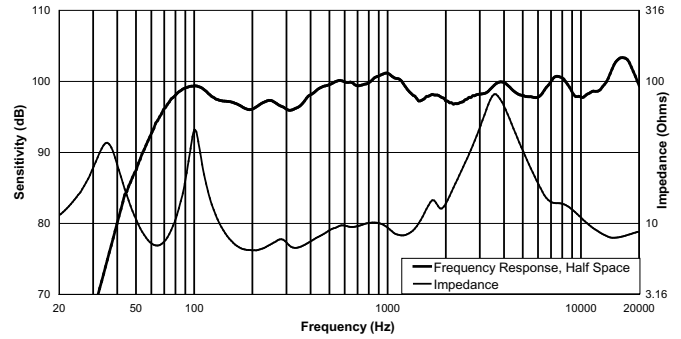
Live For Sound  
www.electrovoice.com



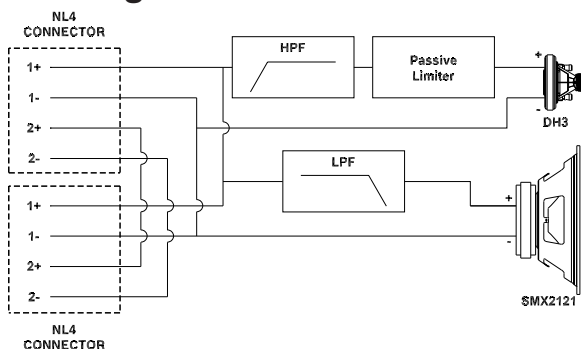
## Dimension Drawings:



## Frequency Response & Impedance:



## Block Diagram:



### TX1122FM Part Numbers

- PRD000144-001 TX1122FM, Single 12" Two Way, 90° x 50° Vertical Stage Monitor, Black Finish

### Performance Match

- PRD000162-000 PL80A, Vocal Microphone, Dynamic, Supercardioid, Ultra-Low Noise
- PRD000145-001 TX1152FM, Single 15" Two Way, 90° x 50° Vertical Stage Monitor, Black Finish
- F01U076827 Q99 Power Amplifier, 2 x 900W @ 4 Ohms, 2U, 120V
- PRD000043-001 DC-One, 120V Digital Loudspeaker Controller

# Electro-Voice®

12000 Portland Avenue South, Burnsville, MN 55337  
Phone: 952/884-4051, Fax: 952/884-0043

www.electrovoice.com

© Bosch Communications Systems

04/2009

Part Number LIT000181 Rev B

U.S.A. and Canada only. For customer orders, contact Customer Service at:  
800/392-3497 Fax: 800/955-6831

Europe, Africa, and Middle East only. For customer orders, contact Customer Service at:  
+ 49 9421-706 0 Fax: + 49 9421-706 265

Other International locations. For customer orders, Contact Customer Service at:  
+ 1 952 884-4051 Fax: + 1 952 887-9212

For warranty repair or service information, contact the Service Repair department at:  
800/685-2606

For technical assistance, contact Technical Support at: 866/78AUDIO

Specifications subject to change without notice.