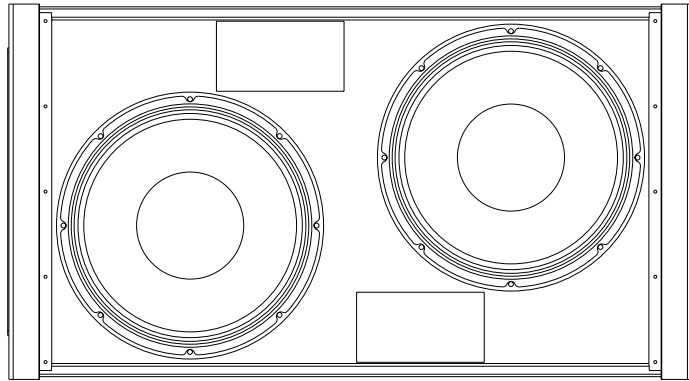




Key Features:

- Compact, Lightweight, 139 dB SPL
- Fast, Simple Integrated Rigging
- Footprint Identical to XLC127+, XLC127DVX, and XLC907DVX
- Optional Adapter Grid for use with XLD281
- 2 x DVX3150 Transducers
- Weather Resistant



General Description:

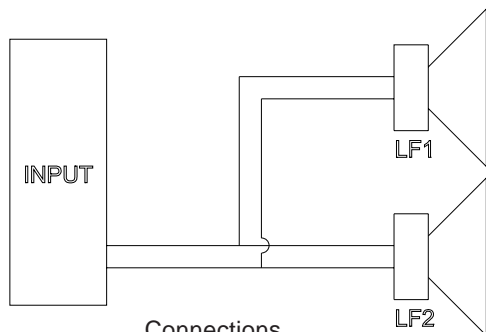
The XLC family is designed to provide the highest quality performance for a variety of applications. It is comprised of two full range systems; XLC127DVX (120° line-array element), XLC907DVX (90° line-array element), and two subwoofers; XLC118, XLC215. The XLC215 uses two 15-inch DVX3150 woofers, and is a true sub-bass system designed for high-level, extended low frequency output. The XLC215 shares the same enclosure footprint and rigging is identical to that of other XLC systems, allowing flexible subwoofer integration with full range arrays requiring extended low frequency response. With a height 1.5 times that of the XLC full-range systems, a subwoofer array can be flown side by side with column appearances similar to the main array using a ratio of 2 subs for every 3 full range boxes. Subwoofer systems can also be placed at the top or bottom of full range arrays for seamless arrayed 4-way system integration. Designed for use in groups of two or more the Subwoofer delivers predictability and control. Combined with an advanced integrated rigging system, one-man installations are a reality. The subwoofer systems can also be ground stacked. Ideal for applications ranging from live reinforcement to performing arts venues to houses of worship to sports facilities, XLC gives you the power to make it happen. XLC can deliver unprecedented performance, particularly in difficult acoustical environments.

Technical Specifications:

Freq. Response ¹ (-3 dB):	40 Hz - 400 Hz
Freq. Range ¹ (-10 dB):	30 Hz - 400 Hz
Max Calculated SPL ¹ :	103 dB Cont., 139 dB Pk
Vertical Coverage:	Array Dependant
Rigging (Both Types):	Fully Captive Aluminum, 1° increments, 16 elements with 8 to 1 Safety Factor
LF Power Handling:	1000W Cont., 4000W Peak
Sensitivity ¹ :	103 dB
High Pass Freq:	28 Hz
Recommended Crossover Freq:	80 - 200 Hz
LF Passband:	2 x 15" DVX3150, 4 ohms
Recommended Amplifier:	EV P3000(RL), CP3000S
Connectors:	2 x NL8
Enclosure Material:	13-ply birch plywood
Grille:	Zinc plated steel
Environmental Spec:	IEC 529 IP24, MIL 810
Quik-Rig™ Dim (HxWxD):	21.44" x 39" x 22.5" (545 x 990 x 572 mm)
Net Weight (Quik-Rig™):	120 lbs (54.5 kg)
Shipping Weight (Quik-Rig™):	140 lbs (63.6 kg)

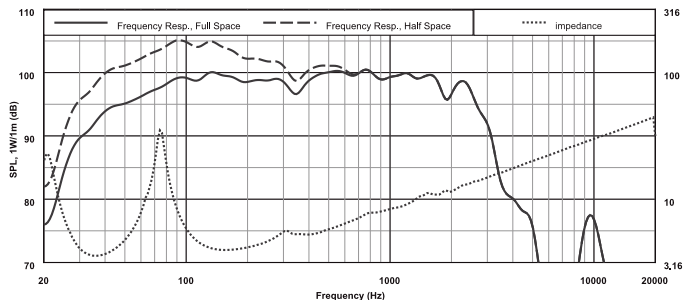
¹ Half Space Measurement.

Block Diagram:

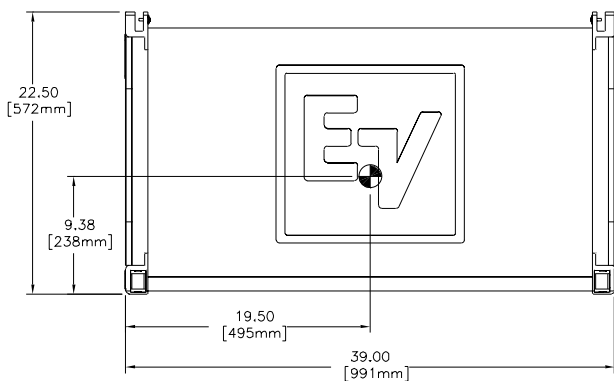


Connections
 Pins 2, 3, 4: Pass Through
 Sub: Pins 1

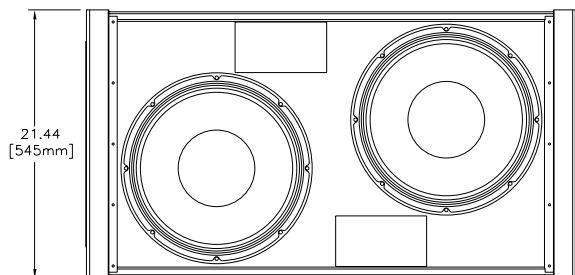
Frequency Response:



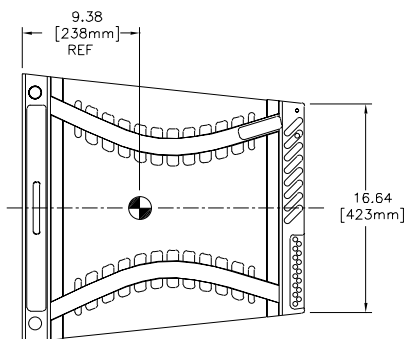
Dimension Drawings (inches/metric):



Top



Front



Side

Performance Match:

- XLC127DVX - 120° Full-Range Line Array Element
- XLCi127DVX - 120° Full-Range Install Line Array Element
- XLC907DVX - 90° Full-Range Line Array Element
- XLCi907DVX - 90° Full-Range Install Line Array Element
- XLC127+ - Full Range Line-Array Loudspeaker System
- XLD281 - Full Range Very Compact Line-Array System (requires use of AGCD Adapter Grid)
- P3000 - Precision Series™ Power Amplifier
- CP3000S - Compact Precision Series™ Power Amplifier
- P3000RL - Precision Series™ Remote Control Power Amplifier
- Dx38 - Digital Sound System Controller
- DN9848 - Digital Sound Controller
- XLC-118 Cover - Protective Cover for Transporting
- XFC-118 - Front Dolly for Rigging and Transporting
- XBD - 3-Tall Bottom Dolly for Rigging and Transporting
- XLC Series A1-Grid for Hanging XLC Line Arrays
- AGCD - Adapter Grid for mating XLC Rigging to XLD Rigging

XLC215 Part Numbers:

- XLC215 - 301891-001



12000 Portland Avenue South, Burnsville, MN 55337
 Phone:952/884-4051, Fax:952/884-0043

www.electrovoice.com

© Telex Communications, Inc. 6/2007
 Part Number 38110-460 Rev B

U.S.A. and Canada only. For customer orders, contact Customer Service at:
800/392-3497 Fax: 800/955-6831

Europe, Africa, and Middle East only. For customer orders, contact Customer Service at:
+ 49 9421-706 0 Fax: + 49 9421-706 265

Other International locations. For customer orders, contact Customer Service at:
+ 1 952 884-4051 Fax: + 1 952 736-4212

For warranty repair or service information, contact the Service Repair department at:
800/685-2606

For technical assistance, contact Technical Support at: **866/78AUDIO**

Specifications subject to change without notice.