

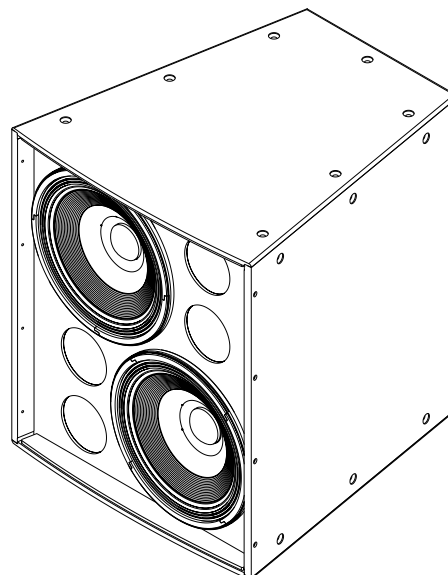
EVF-2151D

Dual 15" Front-Loaded Bass Element



Key Features:

- Dual DVX3159A 15" (381 mm) LF transducers
- 101 dB sensitivity, 137 dB maximum SPL
- System rating: 1000 W continuous, 4000 W peak
- (28) M10 threaded suspension points
- PI and FG versions available with gland nut and stainless-steel grille



General Description:

The Electro-Voice EVF-2151D is a high-power, front-loaded bass element that can be used in a variety of applications where high-quality sound reinforcement is required in a lightweight package.

The EVF-2151D utilizes two DVX3159A 15" woofers, developed using FEA optimization for motor, suspension, and electrical design to ensure very low distortion and maximum intelligibility at high SPL.

The EVF-2151D's features make it a professional loudspeaker for any fixed install application. The trapezoidal enclosure is constructed of weather-resistant birch, and coated with EVCoat™ for protection from the elements. For maximum protection against extreme outdoor elements, a fully-weatherized fiberglass version is available. The unique acoustic and rigging design allows for vertical and horizontal clusters to be built using any combination of loudspeakers from the entire EVF and EVH series. With an assortment of full-range, low-frequency, and subwoofer loudspeakers available, you have the tools to maximize flexibility of system design, no matter what the application or budget. The innovative input panel provides a choice of Phoenix-style connector (included in all standard models) or the ability to add a dual NL4-type connector cover plate or gland-nut cover plate (for weatherizing applications). An externally accessible jumper selects passive or active operation. An available 70.7/100-V transformer kit may be easily mounted to the input panel for use in distributed systems. All these features give you the flexibility to address a large range of venues, quickly and precisely supporting customer requirements with fewer items in inventory.

Technical Specifications:

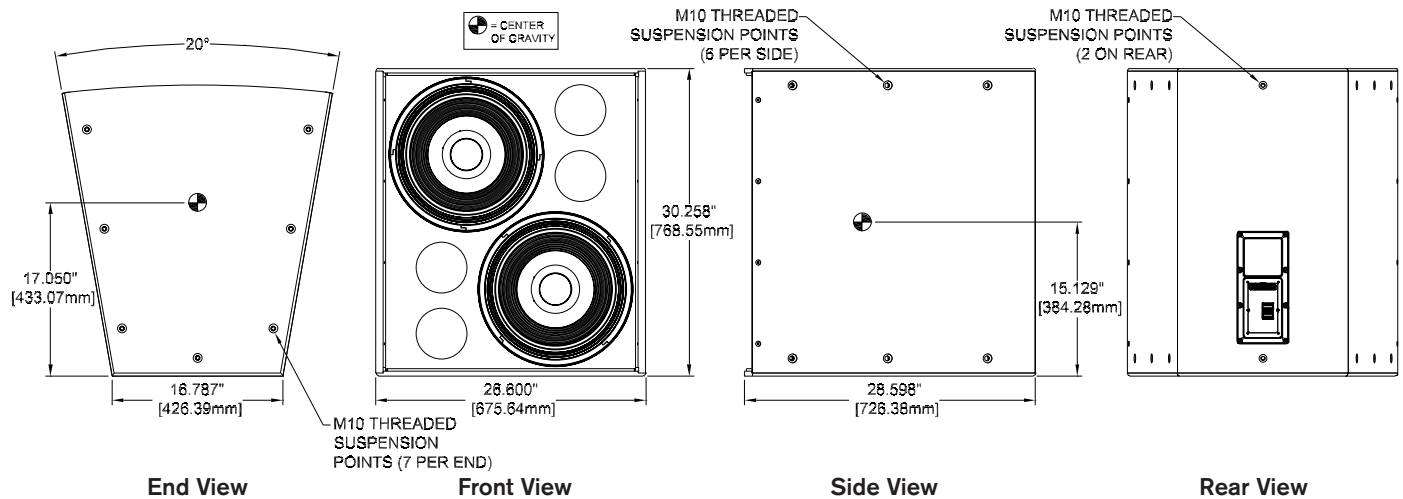
Freq. Response ¹ (-3 dB):	40 Hz - 2.6 kHz	
Freq. Range ¹ (-10 dB):	30 Hz - 3.2 kHz	
Rec. High-Pass Frequency:	35 Hz	
Axial Sensitivity ¹ :	101 dB (1 W/1 m)	
Max. Calculated SPL ¹ :	137 dB	
Horizontal Coverage:	Omnidirectional	
Vertical Coverage:	Omnidirectional	
Power Handling ² :	1000 W continuous, 4000 W peak	
LF Transducers:	Dual DVX3159A, 15" (381 mm) drivers	
Impedance:	4 ohms (nominal), 2.7 ohms (min.)	
Connectors:	Dual 4-pin 10 AWG Phoenix/EuroBlock screw-terminals	PI/FG Versions - CDG gland-nut input panel cover included
Enclosure:	13-ply weather-resistant birch with EVCoat™	FG Version - 13-ply weather-resistant birch with fiberglass finish
Grille:	16 GA powder-coated galvanized with rotatable logo	PI/FG Versions - Stainless steel with hydrophobic cloth
Environmental:	IEC 60529 IP55 for PI and FG versions	
Suspension:	(28) M10 threaded suspension points	
Dimensions (H x W x D):	30.26" x 26.60" x 28.60" (768.6 mm x 675.6 mm x 726.4 mm)	
Net Weight:	117.0 lb (53.1 kg)	
Shipping Weight:	130.5 lb (59.3 kg)	

¹ Half-space measurement.

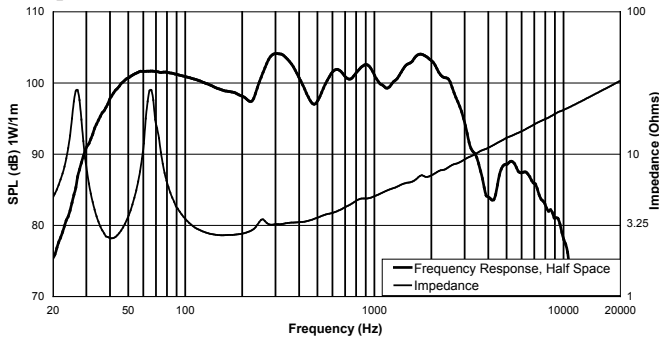
² AES-1984, tested for eight hours.



Dimension Drawings:



Frequency Response & Impedance:



CAUTION

This EVF Loudspeaker should be suspended overhead only in accordance with the procedures and limitations specified in the *EVF/EVH User Manual* and possible manual update notices. This system should be suspended with certified rigging hardware by an authorized rigging professional and in compliance with local, state, and federal overhead suspension ordinances.

Performance Match

- EVF-1122D/64, 60° x 40° Coverage
- EVF-1122D/66, 60° x 60° Coverage
- EVF-1122D/94, 90° x 40° Coverage
- EVF-1122D/96, 90° x 60° Coverage
- EVF-1122D/99, 90° x 90° Coverage
- EVF-1122D/126, 120° x 60° Coverage
- EVF-1152D/43, 40° x 30° Coverage
- EVF-1152D/64, 60° x 40° Coverage
- EVF-1152D/66, 60° x 60° Coverage
- EVF-1152D/94, 90° x 40° Coverage
- EVF-1152D/96, 90° x 60° Coverage
- EVF-1152D/99, 90° x 90° Coverage
- EVF-2121S, Dual 12" Bass Element
- EVH-1152D/43, Coaxial 40° x 30° Coverage
- EVH-1152D/64, Coaxial 60° x 40° Coverage
- EVH-1152D/66, Coaxial 60° x 60° Coverage
- EVH-1152D/94, Coaxial 90° x 40° Coverage
- EVH-1152D/96, Coaxial 90° x 60° Coverage
- EVH-1152D/99, Coaxial 90° x 90° Coverage
- CPS2.9, 120V Power Amplifier, 2 x 900W
- CPS2.12, 120V Power Amplifier, 2 x 1200W
- CPS4.5, 120V Power Amplifier, 4 x 500W
- CPS4.10, 120V Power Amplifier, 4 x 1000W

EVF-2151D Product Descriptions

- EVF-2151D-BLK, Black Finish
- EVF-2151D-WHT, White Finish
- EVF-2151D-PIB, Black, Weather Resistant
- EVF-2151D-PIW, White, Weather Resistant
- EVF-2151D-FGB, Black, Weather Resistant Fiberglass
- EVF-2151D-FGW, White, Weather Resistant Fiberglass

Accessories

- CDNL4, Cover Plate, Dual NL4
- CSG, Cover Plate, Single Gland Nut
- CDG, Cover Plate, Dual Gland Nut
- TK-150, 70V Transformer, 150W
- HRK-2B, Horiz. Rigging Kit, EVF-SUB, Black
- HRK-2W, Horiz. Rigging Kit, EVF-SUB, White
- HRK-3B, Horiz. Rigging Kit, EVH, Black
- HRK-3W, Horiz. Rigging Kit, EVH, White
- VRK-2B, Vert. Rigging Kit, EVF, Black
- VRK-2W, Vert. Rigging Kit, EVF, White
- VRK-3B, Vert. Rigging Kit, EVF-SUB, Black
- VRK-3W, Vert. Rigging Kit, EVF-SUB, White

Electro-Voice

12000 Portland Avenue South, Burnsville, MN 55337
Phone: 952/884-4051, Fax: 952/884-0043

www.electrovoice.com

© Bosch Communications Systems 05/2011

Part Number F.01U.196.268 Rev 02

U.S.A. and Canada only. For customer orders, contact Customer Service at:
800/392-3497 Fax: 800/955-6831

Europe, Africa, and Middle East only. For customer orders, contact Customer Service at:
+ 49 9421-706 0 Fax: + 49 9421-706 265

Other International locations. For customer orders, Contact Customer Service at:
+ 1 952 884-4051 Fax: + 1 952 887-9212

For warranty repair or service information, contact the Service Repair department at:
800/685-2606

For technical assistance, contact Technical Support at: 866/78AUDIO

Specifications subject to change without notice.