

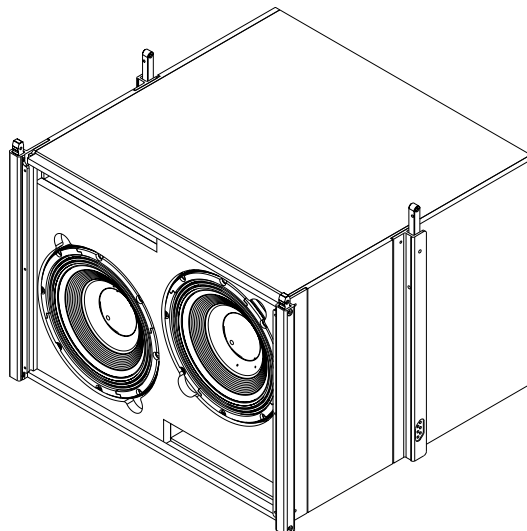


XCS312
Triple 12" Cardioid
Compact
Controlled-Coverage
Bass Element



Key Features:

- Triple 12" Cardioid Very Compact Line-Array Bass Element
- Three DVX3120 12" Low Frequency Transducers
- 1500 Watt Continuous, 6000 Watt Peak
- Versatile Integration in Main Arrays
- Self-contained Rigging Hardware
- LAPS Aiming and Prediction Software Compatible



General Description:

The Electro-Voice® XCS312 is designed for high-level low frequency extension to 40 Hz in a cardioid configuration. It uses three DVX3120 forced air-cooled 12" transducers capable of long, linear excursion and high power handling in a two channel configuration. XCS312's are designed to be used with a ratio of four XLD281 or XLD291 full range systems for each XCS312 subwoofer. The XLVC family consists of two full-range Line Array Elements with dual woofers, two full-range Line Array Elements with single woofers and a two subwoofer systems. The dual-woofer Line Array Element includes the XLD281 with a 120° horizontal coverage pattern and the XLD291 with a 90° horizontal coverage pattern. The single-woofer Line Array Element includes the XLE181 with a 120° horizontal coverage pattern and the XLE191 with a 90° horizontal coverage pattern. The XCS312 cardioid subwoofer module has the same rigging footprint as the XLD281 and XLD291 allowing it to be directly arrayed above, or below XLD281 or XLD291 full range systems. LAPS modeling software quickly provides array configurations and rigging information. XCS312 subwoofers can be used as the base for ground-stack applications, or by using EV's XGS-4 Ground-stack Kit for XLVC. XLVC delivers unprecedented performance in applications ranging from live reinforcement to performing arts venues, to houses of worship.

Technical Specifications:

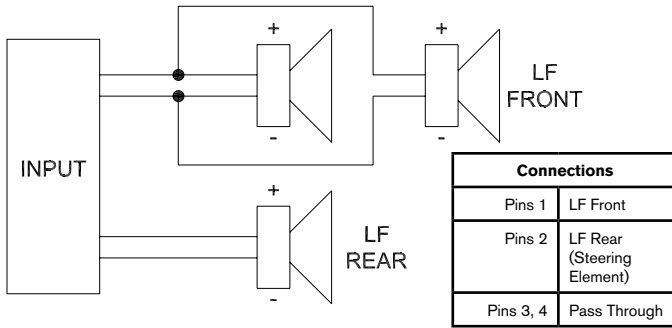
Freq. Response (-3 dB):	45 Hz
Freq. Range (-10 dB):	40 Hz
Max Calculated SPL ¹ :	130 dB Cont., 136 dB Peak
Rigging:	Fully Captive Aluminum, 1° Increments, 8 Elements with 8 to 1 Safety Factor
Power Handling:	1500W Cont., 6000W Peak (1 channel 1000W, 1 channel 500W)
Sensitivity ¹ :	100 dB
Highpass Freq. ² :	40 Hz
Recommended Crossover Freq:	100 Hz
Coverage:	200°
LF Front:	2 x 12" (305mm) DVX3120, 4 ohms
LF Rear:	1 x 12" (305mm) DVX3120, 8 ohms
Recommended Amplifier:	EV CP3000S
Connectors:	2 x NL8
Enclosure Material:	Birch Plywood w/EVCoat™
Grille:	Galvannealed Steel with Powdercoat Paint
Environmental Spec:	IEC 529 IP24, MIL 810
Dimensions (H x W x D):	508mm x 726mm x 677mm (20.00" x 28.58" x 26.64")
Net Weight:	67.1 kg (148 lbs)
Shipping Weight:	73.0 kg (161 lbs)

¹ Half Space Measurement. SPL Adjusted for 1W at 63 Hz at 1m.

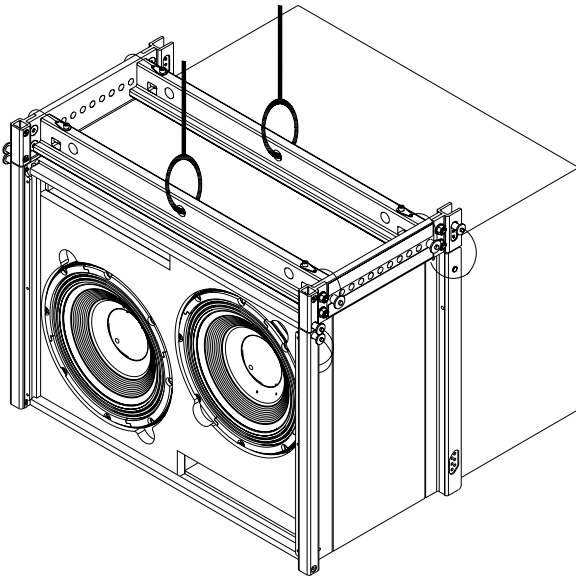
² Use EV or KT Signal Processing or Download Presets from Electro-Voice Website.



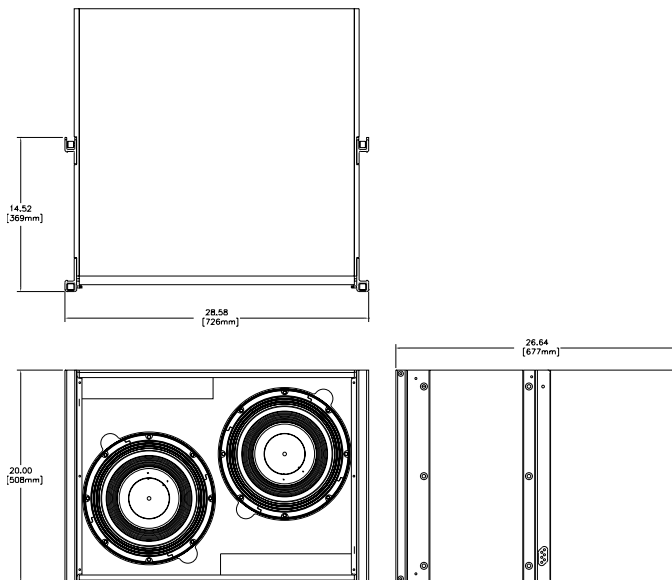
Block Diagram:



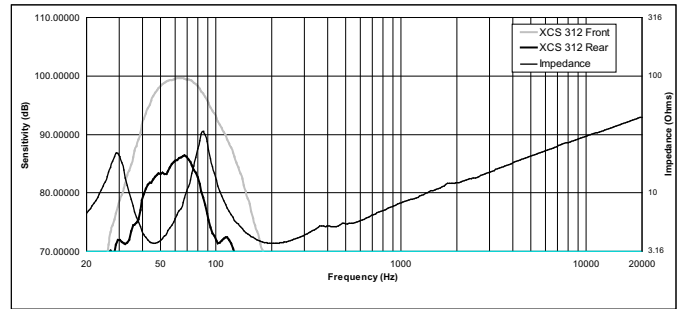
Grid Drawing:



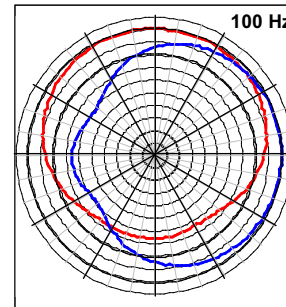
Dimension Drawings:



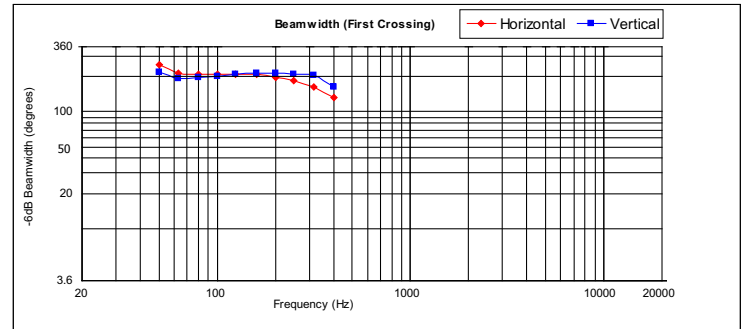
Frequency Response/Impedance:



Polar:



Beamwidth:



Performance Match:

- XLD281 120° Full-Range Line Array Element
- XLD291 90° Full-Range Line Array Element
- XLE181 120° Two-Way Line Array Element
- XLE191 90° Two-Way Line Array Element
- TG5 Tour-Grade Power Amplifier
- CP3000S Precision Series™ Power Amplifier
- P3000RL Precision Series™ Remote Control Power Amplifier
- DC-One Digital Loudspeaker Controller
- Dx38 Digital Sound System Controller
- DN9848 Digital Sound Controller
- XLVC Grid Grid for Hanging XLVC Line-Arrays
- AGSE Grid Adapter Grid for Integrating XLE Systems
- XGS-4 Groundstack Kit for XLVC Line-Arrays

XCS312 Part Numbers:

- PRD000151-001 XCS312-BLK, Black Finish
- PRD000151-002 XCS312-WHT, White Finish

Electro-Voice®

12000 Portland Avenue South, Burnsville, MN 55337
Phone: 952/884-4051, Fax: 952/884-0043

www.electrovoice.com

© Bosch Communications Systems

04/2008

Part Number LIT000157 Rev 4

U.S.A. and Canada only. For customer orders, contact Customer Service at:
800/392-3497 Fax: 800/955-6831

Europe, Africa, and Middle East only. For customer orders, contact Customer Service at:
+ 49 9421-706 0 Fax: + 49 9421-706 265

Other International locations. For customer orders, Contact Customer Service at:
+ 1 952 884-4051 Fax: + 1 952 887-9212

For warranty repair or service information, contact the Service Repair department at:
800/685-2606

For technical assistance, contact Technical Support at: **866/78AUDIO**

Specifications subject to change without notice.