

CVD-144

COMPOSITE VIDEO 1 X 4 X 4 BRIDGING DISTRIBUTION AMPLIFIER

FSR

Video Products Group

CVD-144



The First Configurable Distribution Amplifier!

DESCRIPTION

The CVD-144 is the world's first configurable Distribution Amplifier (D/A). Four independent 1 x 4 D/A's are integrated within the 1RU chassis. What makes the CVD-144 unique is the ability to bridge adjacent 1x4 blocks to make a larger D/A.

In its default configuration, the CVD-144's four 1x4 D/A's operate independently. By simply flipping the bridge switches, adjacent 1x4 D/A's are bridged together and the input of the first block is sent to all of the bridged outputs allowing many different configurations to suit your signal distribution needs.

Possible configurations include four 1x4 D/A's, one 1x8 and two 1 x 4 D/A's, two 1x8 D/A's, one 1x12 and one 1x4 D/A's and one 1x16 D/A. To insure the highest possible signal quality, all outputs are fully buffered and the measured bandwidth from input to any output is greater than 350MHz with a flat signal response.

The CVD-144's extended bandwidth makes it compatible with all analog video signals including HDTV. In addition, each of the blocks inputs may be used independently or in concert to distribute composite, component, and S-video. A universal power supply extends the CVD-144's compatibility to the world.

APPLICATIONS

- Boardrooms
- Live Event Productions
- Education
- Conferences Centers
- Rental Companies
- Video Conferencing
- and other complex Integration Systems not requiring a matrix switcher

APPROVALS

UL, cUL, FCC, and CE approvals applied for.

TECHNICAL SPECIFICATIONS

- 400 MHz video bandwidth
- Four bridgeable 1x4 D/A Blocks
- All outputs are fully buffered
- Universal worldwide power supply
- All metal enclosure
- Rack mount ears included

Video

Gain: Unity (into 75 ohm load)
Bandwidth: >400MHz (+0.1db/-3db)
measured from input connector to output connector within a block, all outputs connected.
+0.1db/-0.5db 175MHz
measured from input connector to output connector within a block, all outputs connected.
>350MHz (+0.1db /-3db) measured from input to any output connector when fully bridged, all outputs connected.
+0.1db/-0.5db 150MHz
measured from input connector to output connector when fully bridged, all outputs connected.

Differential Phase Error: 0.04 degrees (NTSC)

Differential Gain Error: 0.04% (NTSC)

Video Input — Each block (4 blocks total)
Number/Signal Type: 1 analog video (NTSC, PAL or SECAM)

Connectors: 1 BNC Female
Min/Max Level: $\pm 1.9V$
Impedance: 75 ohm
Maximum DC offset: $\pm 1.2V$ (with 0.7V p-p signal)

Video Output — Each block (4 blocks total)
Number/Signal Type: 4 analog video matching input
Connectors: 1 BNC per output (4 total)
Min/Max Level: $\pm 3.8V$
Impedance: 75 ohm
DC offset: $\pm 20 MV$ max

FSR Inc.

244 Bergen Boulevard, Woodland Park, NJ 07424
Phone: 973.785.4347 · Fax: 973.785.4207

Web: www.fsrinc.com · E-mail: sales@fsrinc.com

Order Desk: 1-800-332-FSR1

LIT 1254

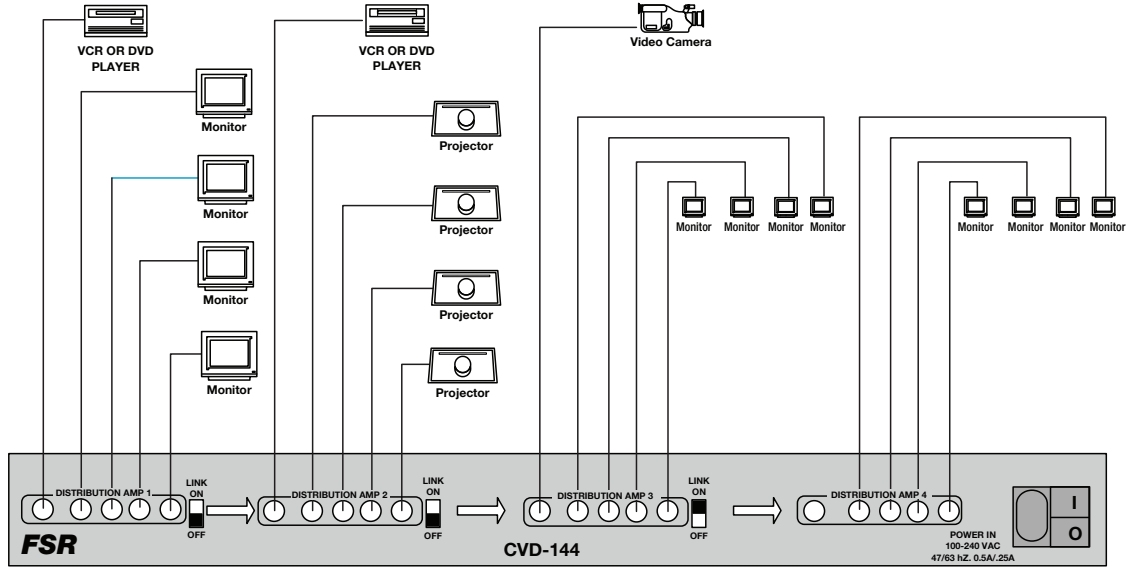
GENERAL

Power AC input: 110/220 VAC, 50/60 Hz
 Mounting: Table top or rack mount rack ears included
 Enclosure Type/ Size: Metal, 1 RU high, 19" wide

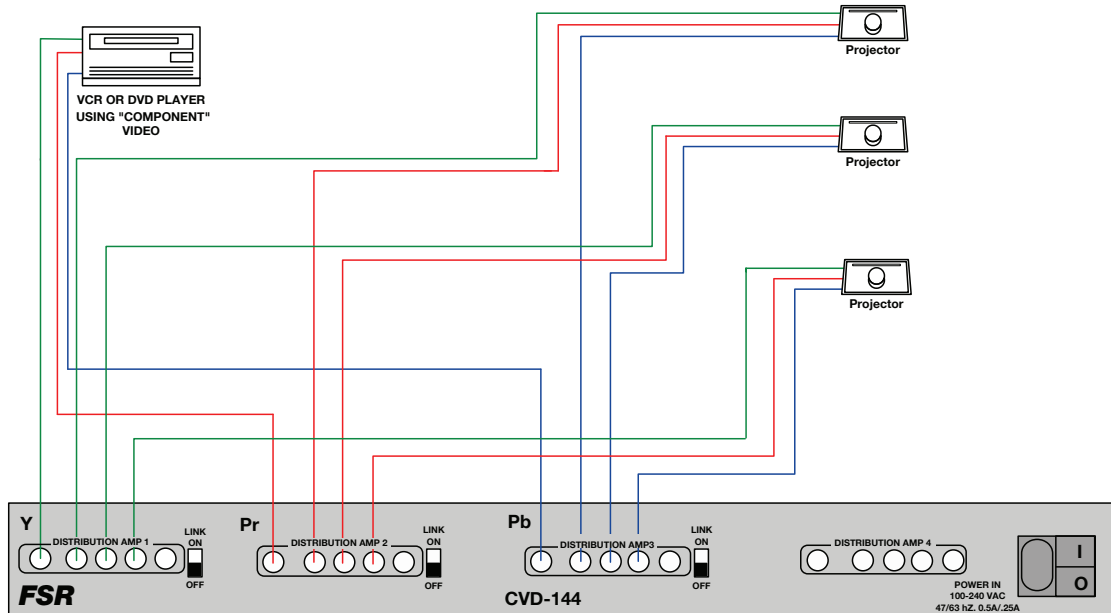
POSSIBLE CONFIGURATIONS

QTY	INPUT/OUTPUT
4	1 x 4's
1	1 x 8
2	1 x 4's
2	1 x 8's
1	1 x 12
1	1 x 4
1	1 x 16

TYPICAL "COMPOSITE" VIDEO APPLICATION



TYPICAL "COMPONENT" VIDEO APPLICATION



Specifications are subject to change without notice.

FSR Inc.

244 Bergen Boulevard, Woodland Park, NJ 07424
 Phone: 973.785.4347 · Fax: 973.785.4207
 Web: www.fsrinc.com · E-mail: sales@fsrinc.com
 Order Desk: 1-800-332-FSR1