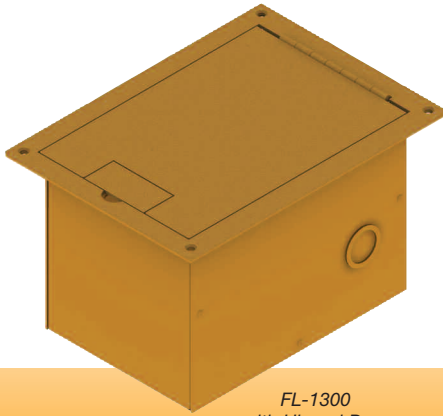


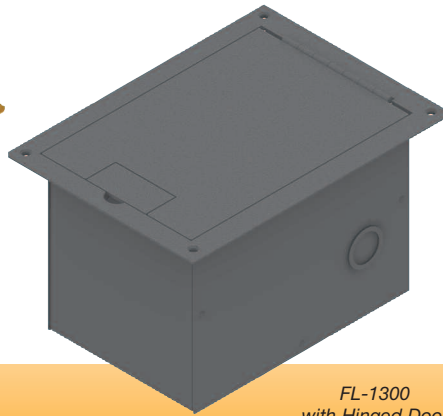
FL-1300 Floor Box

FSR

Metal Products Group



FL-1300
with Hinged Door
in Lt. Oak Sandex



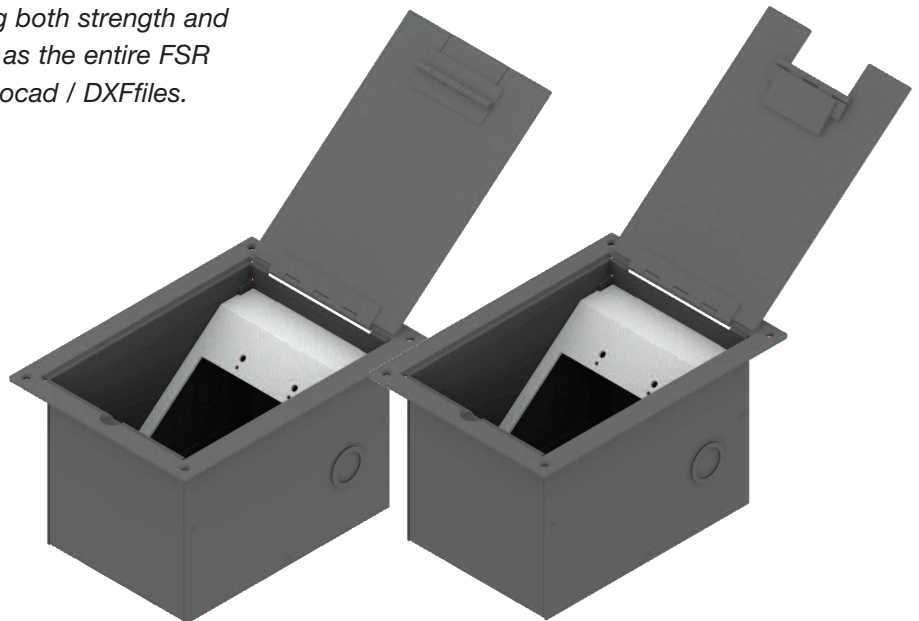
FL-1300
with Hinged Door
in Black Sandex

DESCRIPTION

The FL-1300 is a practical floor box designed for wood stage floors and computer floors. A standard 2-gang blank plate (supplied with the box) provides the contractor a perfect solution for audio, video, power or telecommunication connections. The cover utilizes a dual door design that allows full access when making connections. Once connections are made, the door closes and the cables exit through the small cable opening. As a safety feature, the cable access door is closed when the box is not in use. The FL-1300 cover is painted with a black or oak sandtex paint for a non-skid finish. Knockouts are provided on the sides, rear and bottom of the box. The FL-1300 floor box is a one piece, all welded design providing both strength and simple installation. The FL-1300 as well as the entire FSR floorbox product line is available on Autocad / DXFfiles. Call today for your free disks.

SPECIFICATIONS

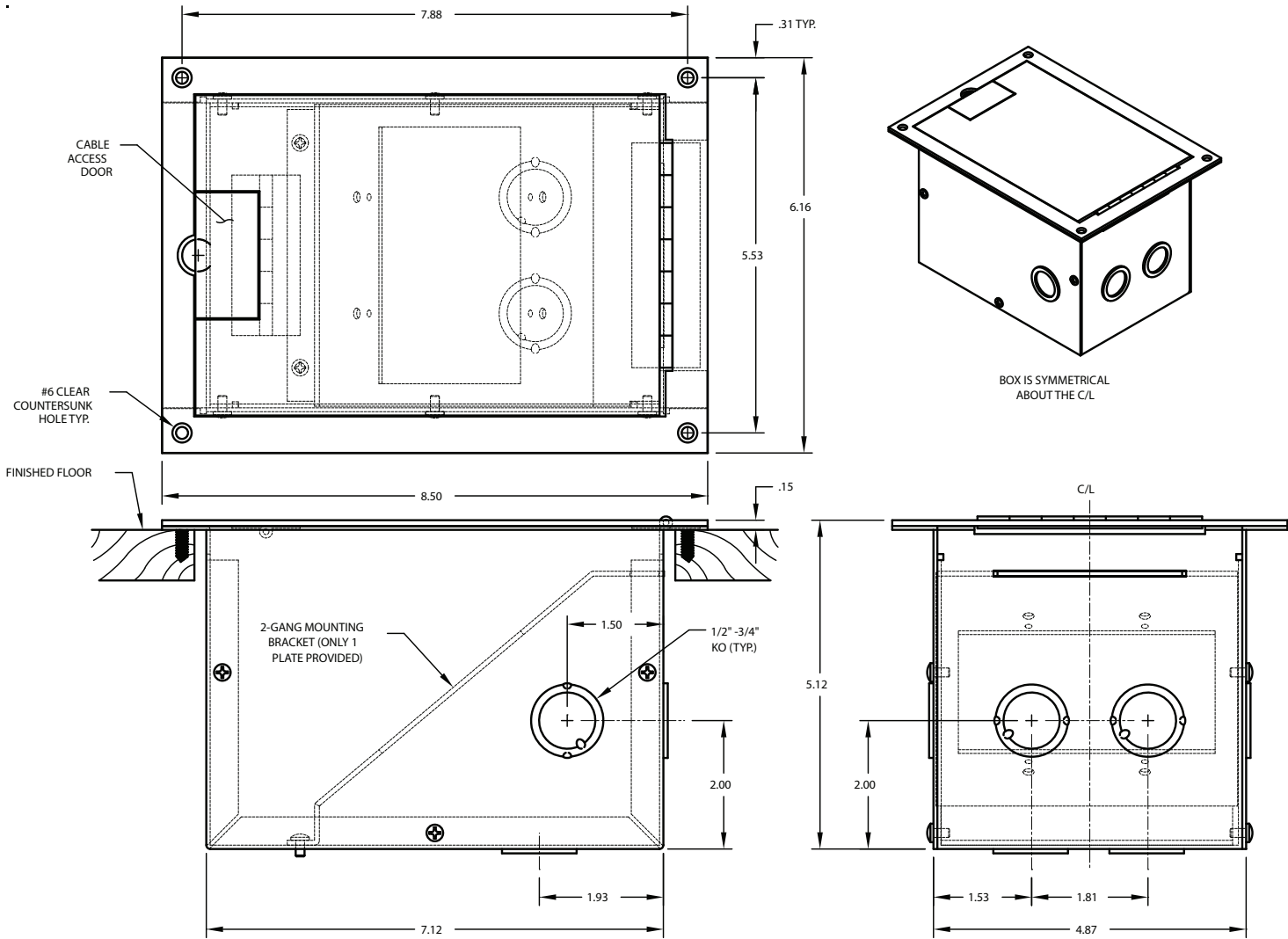
| | |
|-----------|--|
| Size: | Top 8-1/2" x 6-1/8" x 1/8" Box 5-1/8" x 7-1/8" x 4-7/8" |
| Weight: | 5 lbs. |
| Knockouts | Rear 2 concentric 1/2" or 3/4" Bottom 1 concentric 1/2" or 3/4" Left & Right Sides 1 each concentric 1/2" or 3/4" |
| Finish: | Black or Oak Sandtex paint option |



FL-1300 Blk
(Large door open)

FL-1300 Blk
(Both doors open)

FL-1300 DIMENSIONS



Specifications are subject to change without notice.



244 Bergen Boulevard, Woodland Park, NJ 07424

Phone: 973.785.4347 · Fax: 973.785.4207

Web: www.fsrinc.com · E-mail: sales@fsrinc.com LIT1068

