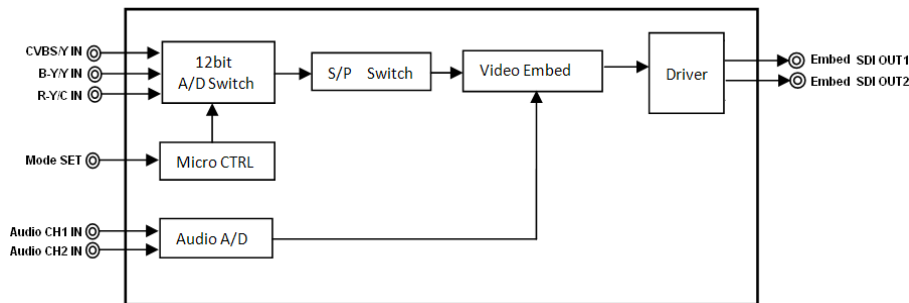


Based on Mini BOX platform, MIO DEC-AUD converts analog video and two channel analog audio to embedded SDI. The analog video can be CVBS/YUV/YC optionally; 525i60 and 625i50 are supported. LED lights indicate the status of input signal and power. Be known for compact function, the converter is widely used in variety of environments, like TV program post production, studio, broadcast, etc.

Key Features

- Analog video (CVBS/YUV/YC) to SDI video conversion
- Support 525i60 and 625i50.
- Adopt 3-pin as audio interface
- Broadcast quality with 10 bit processing and 48KHz audio sampling
- LED lights indicate the status of input signal and the power



Technical Specification

Analog video input:

Input interface: 3*BNC connection
(Selectable CVBS/YUV/YC input model)
Impedance: 75Ω
System: PAL/NTSC
Max cable length: 200M (Belden 8281)

Analog audio Input:

Input interface: 2*3pin (Balanced)
Impedance: 600Ω

Digital video output:

Output interface: 2*SDI, BNC connection
Impedance: 75Ω
Format: SMPTE 259M-C; 270Mb/s
Eye pattern: 800mV ±10%
Rise time: 750~1500PS (20%-80%)
Fall time: 750~1500PS (20%-80%)
The difference between rise and fall: ≤500PS
Jitter: <0.2UI

Ordering information

MIO ENC	SDI video to analog video converter
MIO DEC	Analog video to SDI video converter
MIO ENC -AUD	SDI to analog video and audio converter
MIO DEC-AUD	Analog video and audio to SDI video converter
MIO ENC -HD-AUD	HDSDI to analog video and audio converter
MIO DEC-HD-AUD	Analog video and audio to HDSDI video converter

Status indicator:

Input signal status indicator
Power indicator(Indicate by shining or extinguishing of the green LED)

Power consumption:

Power: 12VDC 1A
Dimension: 123mm*92mm*29mm