

VIO DSK is a newly designed HD/SD self-adaptive digital downstream keyer with multi-functions of Gefei. It's compatible with HD/SD-SDI and mainly used for the mixing of HD/SD logo, clock, and subtitles.

With high performance graphic information processing and anti-flicking techniques, VIO DSK supports PGM signals bypass, RCP, RS232 ,GPI and network control with Clean output interface, makes the up/down key of 2 channel outside logo are manual or automatic.

VIO DSK supports standard SNMP protocol, make users monitor real-time working status by matching with the third party monitoring software.



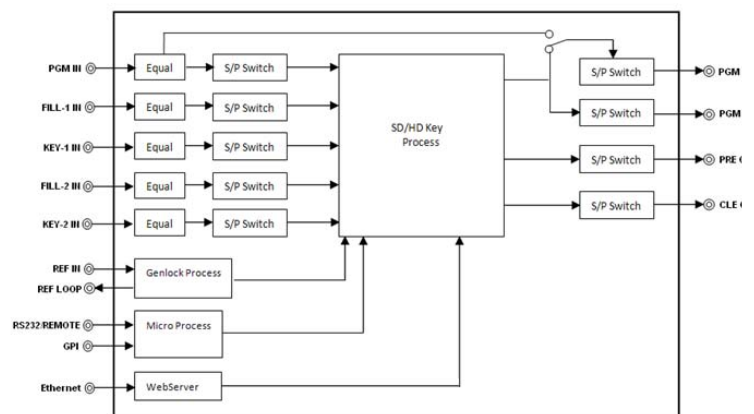
Product Layout



Feature

- 20bit processing, input signals are compatible with HD/SD-SDI
- Support embedded SD/HD-SDI
- 2 separate external keyers channels
- Support external gen-lock signals with Tri-Level and BB formats
- Standalone Clean and PRE output interface
- Auxiliary safe area mark
- Bypass function
- RS-232 and GPI control.
- Real-time remote control and monitor
- Provide network interface, support SNMP protocol with inner Web Server

Block Diagram



Technical Specification

Digital Video Input :

Input Interface : 5*SD/HD-SDI, BNC
 Formats : SMPTE 259M ; 270Mb/s
 SMPTE 292M; 1.485Gb/s
 625i50/525i50
 720P50/59.94/60
 1080i50/59.94/60
 1080P25/29.94/30

Digital Video Output :

Output Interface : 4*SD/HD-SDI, BNC
 Formats : SMPTE 259M ; 270Mb/s
 SMPTE 292M; 1.485Gb/s
 Signal Level : 800mV±10%
 Jitter : < 0.2 UI

Reference Input :

Type : Tri-Level or BB
 Input Interface : BNC

Control Interface :

Network : RJ45接口 , 10M/100M/1000M
 Serial Port : RS232
 GPI : 2*GPI

Ordering Information

- | | |
|-------------|------------------------------|
| VIO DSK-SD | SD-SDI keyer |
| VIO DSK-HD | HD-SDI Keyer |
| VIO DSK-RCP | VIO DSK remote control panel |