

Micro-Lite™ Bonded All-in-One PS/2, VGA KVM Cable 6 feet

G2L5002P

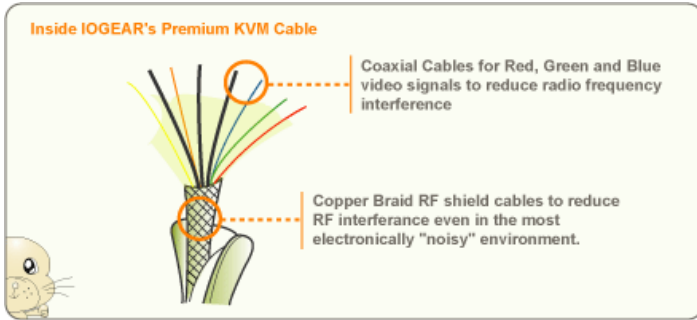


- Innovative Micro-Lite™ cable technology to minimize cross-talk and deliver superb video quality for your high resolution applications
- Aluminum shield to eliminate EMI/RFI interference and ensure signal integrity and error-free transmission
- Oversized ergonomic thumbscrews make installation quick and easy All-In-One bonded cable design eases connections, setups and cable management
- Thin and flexible cable structure saves space and lowers carrying and storage cost
- UL rated materials used to ensure safety, corrosion resistance, and longevity of the cable Manufacturer's Lifetime Warranty

IOGEAR's All-in-One bonded KVM cables are designed to deliver superb video quality and error-free transmission for your high-resolution applications. These cables feature the latest in design and technologies such as Micro-Lite™ cable technology, an aluminum shield and an all-in-one bonded structure. They are designed to provide the maximum in quality, performance, and reliability. The thin, flexible cable and the over-sized thumbscrews also make installation quick and easy. These All-In-One Bonded KVM cables are backed by IOGEAR's Lifetime Warranty.



Micro-Lite™ Bonded All-in-One PS/2, VGA KVM Cable 6 feet



Product Requirements	Package Contents
Computers with PS/2 and VGA connections.	1 Micro-lite KVM cable

Specifications

Function	G2L5002P	Dimensions	G2L5002P
CPU Connectors		Unit Dimensions	
Mouse	6 pin mini-DIN male	Length	6 ft. (1.8 m.)
Keyboard	6 pin mini-DIN male	Unit Package Dimensions	
Monitor	15 pin HDB male	Width	6.25 in. (15.88 cm.)
KVM Side Connections		Height	11.25 in. (28.58 cm.)
Keyboard	6 pin mini-DIN male	Depth	2.25 in. (5.72 cm.)
Mouse	6 pin mini-DIN male	Length	1.8 m. (5.9 ft.)
Monitor	15 pin HDB female	Master Carton	
Cable Length	6 ft. (1.8 m.)	Width	13 in.
		Height	12 in. (30.48 cm.)
		Depth	29.5 in.
		Master Carton Qty.	20
		Weight	
		Master Carton Wt.	16.5 lbs. (7.425 kg.)
		Unit Pack Wt.	0.8 lbs. (0.36 kg.)
		Unit Wt.	0.6 lbs. (0.27 kg.)