



innkeeper 1x/1rx DIGITAL HYBRID CE

FEATURES

- Excellent separation of caller and talent voice
- 16 bit DSP technology
- Proprietary auto null algorithm, 50 db null
- Balanced XLR Mic / Line input
- Balanced XLR caller output
- Balanced XLR user defined output
- Front panel headphone jack
- Monitor speaker terminals on back
- Voice presence compensation
- Automatic Gain Control
- Caller Ducking
- 1 kHz tone generator
- Transmit / receive LEDs
- Remote control screw terminals
- Remote jack for Guest Module 1, RS-232, or RIU-IP remote IP interface
- Works with standard and “dry” phone lines
- Auto answer / disconnect

The innkeeper 1x gets audio in and out of telephone lines. Its excellent caller audio output does not exhibit the transmit / receive crosstalk common to analog hybrids, making it perfect for radio or television talk shows, teleconferencing, or auto-answer IFB feeds.

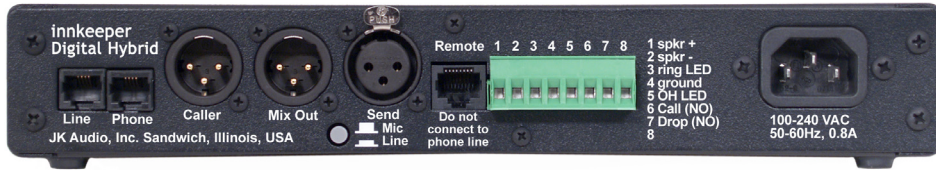
innkeeper 1x connects audio signals to a standard analog telephone line without the variations in quality found with analog hybrids. The main function of a hybrid is to bring in the caller's voice, as clear and clean as possible. In the real world, when you send your voice down the telephone line it will bleed over into the caller's audio. The hybrid must adapt to the phone line in order to properly separate transmit and receive audio. We use a 16 bit DSP to monitor the phone line and audio signals continuously in order to deliver excellent separation. Our dual convergence echo canceller algorithm can achieve excellent trans-hybrid loss typically exceeding 50 dB, without any setup.

From the front panel you can control on-hook / off-hook, and adjust headphone volume. Front panel LEDs display signal levels and option status. The Send and Caller Volume controls are hidden behind an access panel to discourage unauthorized “tweaking”. Five feature switches are also hidden behind the access panel. AGC (Automatic Gain Control) adjusts the caller volume to an average level. AGC will tame a loud caller, and boost a quiet caller or quiet long distance connection. Caller Ducking drops the Caller output level by 9 dB whenever the host speaks. This keeps the host “in charge” of the show, automatically making sure the caller never overpowers the host by attempting to talk over the host's voice. Press the “Presence” button and you'll get a richer sound from the caller's voice. This digital filter brings back some of the low-end lost in transmission. The Test Tone generator sends a 1 kHz full level tone either down the phone line or out the Caller XLR jack. This tone represents the maximum level transmit into the phone line or out the XLR jacks. The Test Tone generator is not required for tuning the digital hybrid. Auto-Answer simply answers on the first ring and disconnects at the end of the call.

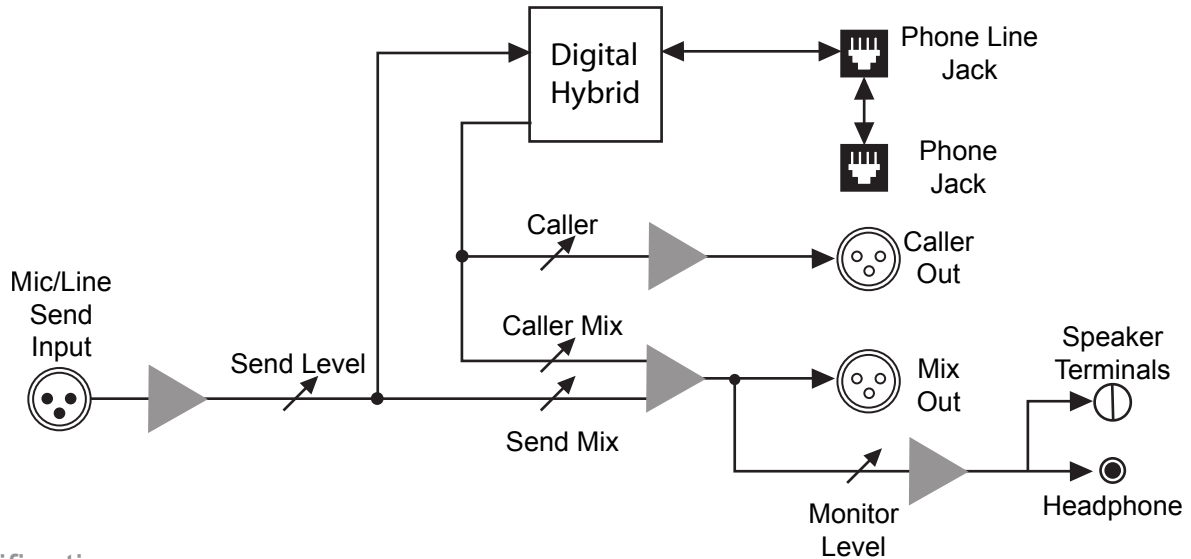
JK Audio

innkeeper 1rx/1rx

DIGITAL HYBRID



Rear View



Specifications

	Input		Output		
	Balanced Female XLR	Mic/Line Pad Switch Line= +6 dBu max	Balanced Male XLR Caller Out	Balanced Male XLR Mix Out	
Impedance:	1k ohms		200 ohms		
Level:	15mV RMS (-34 dBu) nom		500 mV RMS (-4 dBu) nom. +14 dBu max		
Headphone:	1/4" Stereo 8 ohms 250 mW per channel		Speaker:	Screw Terminals 8 ohms 1 watt	
Frequency Response :	Telephone Side 200 Hz - 3600 Hz		Universal AC Power Input:	120-240 VAC, 50-60 Hz	
Phone Line Connector	RJ11C		Isolation:	1500 volts	
			Ringer:	0.8B REN	
Size	1x:	1.75" x 7.3" x 10.5" (4.5 x 18.6 x 26.7cm)	Weight	1x:	5.2lbs (2.4 kg)
	1rx:	1.75" x 7.3" x 19" (4.5 x 18.6 x 48.3cm)		1rx:	5.7 lbs (2.6 kg)



The innkeeper 1rx is the rackount version of the innkeeper 1x desktop digital hybrid.

JK Audio