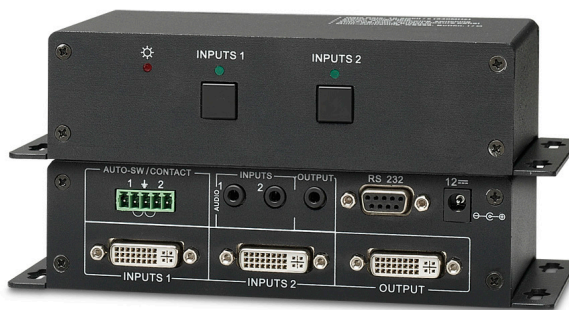


DVI 2x1 Switcher w/ built-in HDCP, Audio & RS-232

High-resolution DVI switcher with HDCP, Audio, Signal Equalization and RS-232

MPN: DVISW2A



The KanexPro DVI 2x1 Switcher

is a two input, one output auto-switch with stereo audio, which supports PC resolutions up to 1920x1200 and 1080p/60 with 12-bit Color depth. The switcher provisions built-in HDCP management technology, which analyzes HDCP key, and administers the handshake internally.

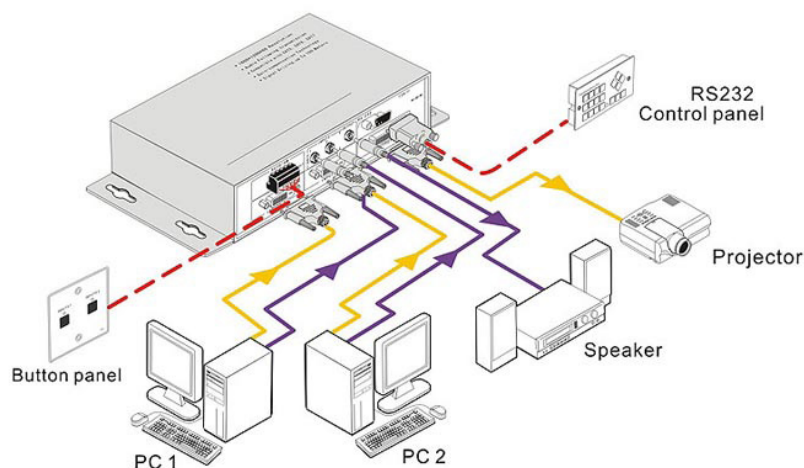
The switcher also features built-in gain equalization and synchronization for each input to provide full compensation for signal loss when routed using long DVI/HDMI cables or source devices with weak DVI signals. With convenient control options such as RS-232, front-panel buttons and IR, this unit can be easily integrated to any Pro A/V environment such as conference rooms, educational facilities, control rooms, monitoring centers and government institutions.

FEATURES

- Switch two DVI/HDMI inputs with video and stereo audio
- Supports bandwidth up to 10.2 Gbps
- Built-in EDID & HDCP internal management
- HDCP compliant
- Supports full HD 1080p (1920x1080@60Hz)
- Computer resolutions up to WUXGA (1920x1200@60Hz)
- Supports DDC transmission
- Automatic gain compensation and equalization up to 100ft (30m)
- Audio breakaway switching for corresponding video
- 3.5mm stereo audio jack for each input/ output
- Control through, IR, RS-232 and front-panel buttons
- Table/ Wall-mountable aluminum enclosure
- Internal Universal power adaptable (100Volt-240Volt AC, 50/60Hz)

SPECIFICATIONS

- **Input:** DVI-I x1/ R/L Audio x1
- **Output:** HDMI x1
- **Video Amplifier Bandwidth:** 2.25Gbps
- **Vertical Frequency Range:** 50/60Hz
- **Color Depth:** 12bit per channel
- **Resolutions:** 480i/576i/480p/576p/720p/1080i/1080P
- **Power Supply:** 5V DC@2A, 5W
- **Operating Temperature:** 0°C to +70°C
- **Operating Humidity:** 10% to 85 % RH (no condensation)
- **Storage Temperature:** -10°C to +80°C
- **Storage Humidity:** 5% to 90 % RH (no condensation)
- **Regulatory Approvals Converter:** FCC, CE, UL
- **Regulatory Approvals Power Supply:** FCC, CE, UL
- **Dimensions:** 3.5"x1"x2.7" (88x25.5x68mm)
- **Total Weight:** 0.24lbs (110g)
- **Warranty:** 1 Year parts and labor



ABOUT KANEXPRO

KanexPro carries a broad selection of A/V connectivity products by leveraging the core strength in professional systems enabling you to broadcast, convert, extend, split, or multiply HD signal transmissions; simply and cost-effectively. KanexPro is a trademark. HDMI, the HDMI logo, and High-Definition Multimedia Interface are trademarks or registered trademarks of HDMI Licensing, LLC in the United States and/or other countries. All other product or service names are the property of their respective owners.