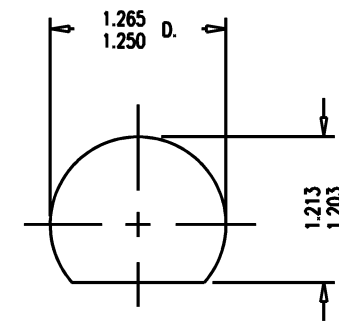
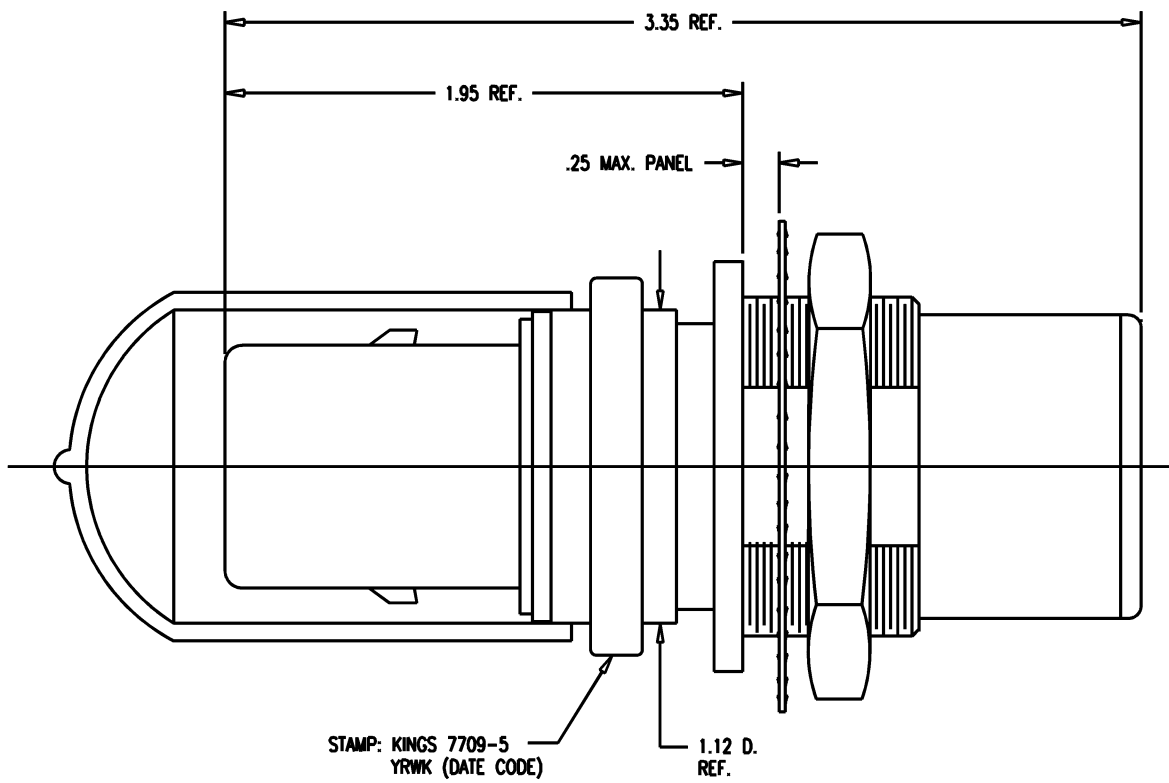


DASH NO.	M CODE	MADE FROM
----------	--------	-----------

SD



MOUNTING HOLE

SD

REVISIONS	
ISSUE	CHANGES
0	ER 35443 KH 04/10/95
1	CN 36674 C KH 11/03/95
2	CN 37274 D PG 03/13/97
3	CN 37894 E TML 10/07/99

7709-5

7709-5SD

NOTES:

1. MATERIALS:
 INSULATORS-TEFLON, ASTM-D-4894
 LOCKWASHER-SPRING STEEL, PER ASTM A682
 CONDUCTIVE GASKET-CONSIL C 87-10004, 60-70 DUROMETER
 GASKETS-SILICONE RUBBER, ZZ-R-765
 CAP-VINYL
 K-GRIP SLEEVE-COMMERCIAL BRONZE, ASTM-B-135
 OUTER CONTACT-PHOSPHOR BRONZE, ASTM-B-103
 BODY-BER. COP., ASTM-B-196
 CENTER CONTACT F: BER. COP., ASTM-B-196
 ALL OTHER METAL PARTS-BRASS, ASTM-B16

2. FINISHES:
 CENTER CONTACTS-GOLD PLATE PER MIL-G-45204
 LOCKWASHER
 NUTS
 COLLET
 OUTER BODIES
 BODY RING
 ALL OTHER METAL PARTS-SILVER PLATE PER QQ-S-365
 KINGS TARNISH RESISTANT NICKEL FINISH (TR-5)
3. ELECTRICAL CHARACTERISTICS:
 NOMINAL IMPEDANCE: 75 OHMS
 FREQUENCY RANGE: DC-500 MHZ
 VOLTAGE BREAKDOWN: CENTER CONDUCTOR/INNER GROUND: 1500 VRMS
 INNER GROUND/OUTER GROUND: 500 VRMS

SCALE 2:1	
APPROX SURFACE AREA	
USED ON	
REF: KP-8040-007-001	
ADPT, M-F, BKHD, TRI-LOC, SERIAL DIGITAL	
DRAWN KH	DATE 04/20/95
DESIGN DW	DATE 04/21/95
APPR.	DATE

KINGS
 ELECTRONICS CO., INC.
 ROCK HILL, SOUTH CAROLINA 29730

7709-5