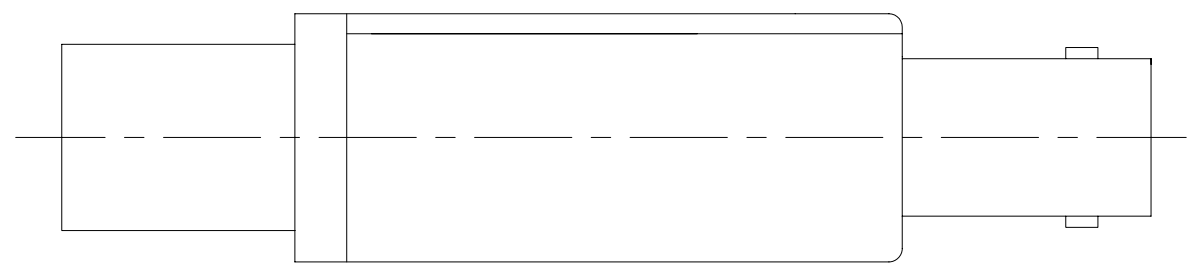
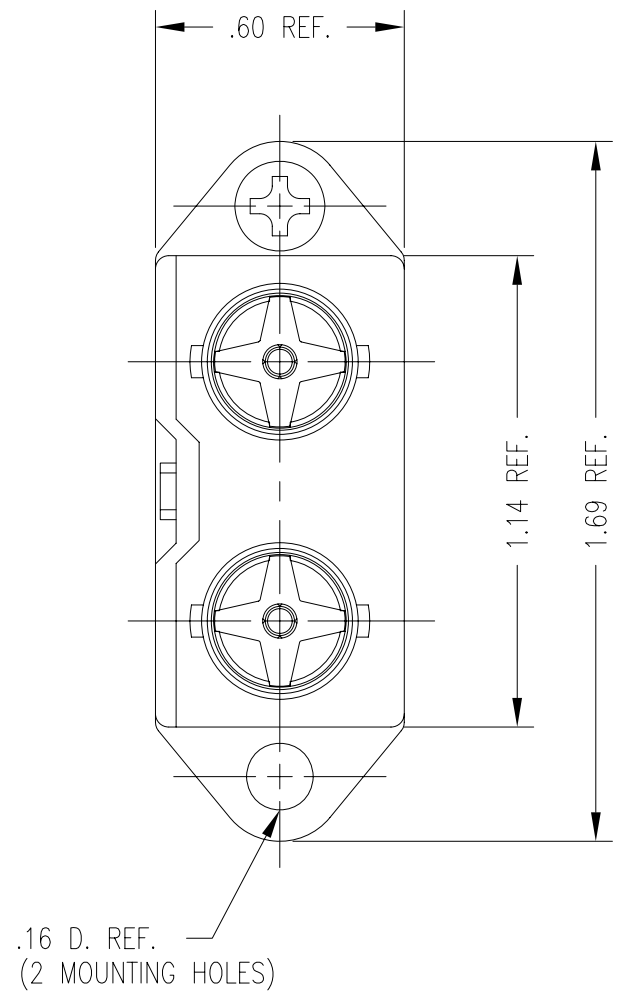
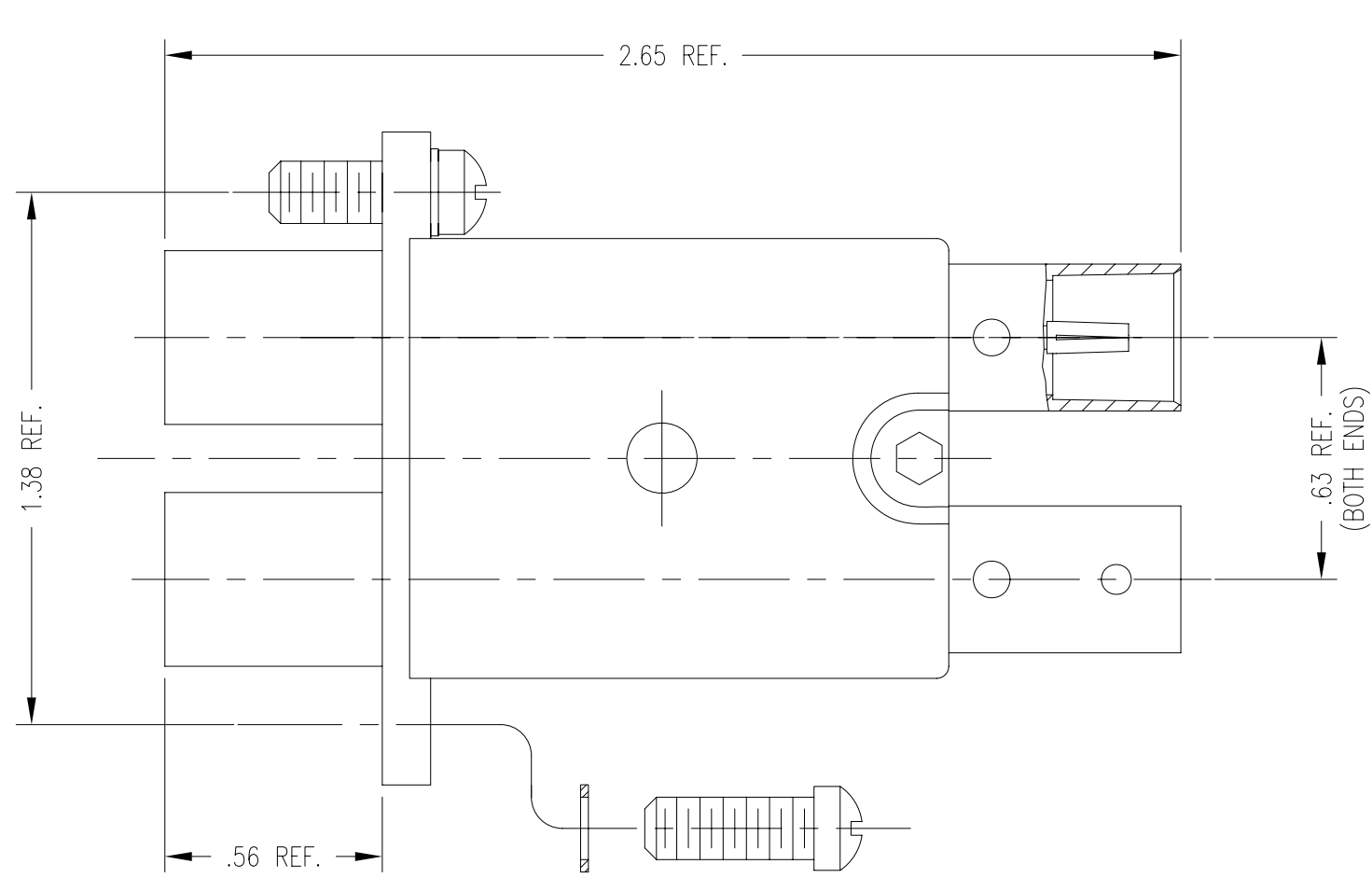


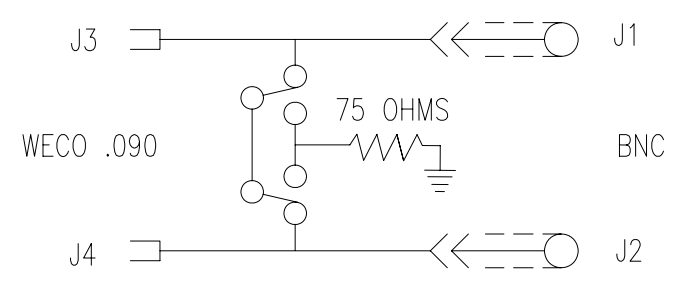
ISSUE	CHANGES
L	ER 6174 BAM 01/17/08
M	ER 14290 PSM 03/16/09

SD7780-2

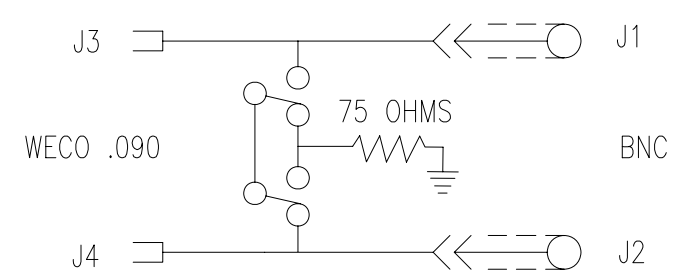


- NOTES:
- INTERFACE PER MIL-STD-348, FIG. 301-2 (AS APPLICABLE).
 - MATERIALS:
 BODY: ZINC (ZAMACK)
 CONTACTS: BER. COPPER, ASTM-B-196
 INSULATING MATERIALS: ZYTEL, DELRIN & TEFLON, ASTM-D-4894
 HARDWARE: ZINC PLATED MACHINE SCREW
 ALL OTHER METAL PARTS: BRASS, ASTM-B16
 - FINISHES:
 CAP & CONTACTS: HARD GOLD PLATE PER MIL-G-45204 OVER NICKEL PLATE PER QQ-N-290.
 HARDWARE: PASSIVATE PER QQ-P-35
 ALL OTHER METAL PARTS: NICKEL PER QQ-N-290
 - MECHANICAL CHARACTERISTICS: 50,000 LIFE CYCLES MIN.
 - ELECTRICAL CHARACTERISTICS:
 IMPEDANCE: 75 OHMS
 FREQUENCY RANGE: DC TO 3.5 GHz.
 RETURN LOSS (NORMAL THRU MODE):
 UP TO 1.5 GHz, <-23 dB.
 UP TO 3.5 GHz, <-10 dB.
 - COMPLIANT TO SMPTE 424M (3G-SDI) SPECIFICATION.

NORMAL THRU



PATCH THRU



TERMINATED (RESISTOR BETWEEN TERMINAL & GROUND)

UNLESS OTHERWISE SPECIFIED

- ALL DIMENSIONS IN INCHES [MILLIMETERS].
- TOLERANCES:
 .XXX ±.004 .XX ±.010
 [.XXX ±.10] [.XX ±.25]
 FRACTIONS: X/Y ±.010 [.25] ANGLES: ± 1°
 ★ CRITICAL DIMENSIONS

CUSTOMER SALES DRAWING

SCALE 2:1	
APPROX SURFACE AREA	
USED ON	
REF:	
HIGH DEFINITION, DUAL VIDEO JACK STD SIZE (TERMINATED)	
DRAWN JLA	DATE 10/25/02
DESIGN JLA	DATE 10/25/02
APPR.	DATE
KINGS by WINCHESTER ELECTRONICS	Winchester Electronics 62 Barnes Industrial Road North Wallingford, CT 06492
B	SIZE

SD7780-2