

1) Introduction

Watson™ Remote Power Management devices provide AC power switching and DMX buffering for groups of LED or moving light fixtures. Using one DMX control channel or sensing DMX data, Watson turns fixtures off when they are not in use, saving power, extending fixture life and isolating expensive electronics from power line glitches.

An additional isolated DMX output adds extra DMX capacity, and adds electrical isolation between fixtures and the rest of the control system.

Available in single pole, 110V and two pole 208 – 240V models and several form factors, Watson can be mounted near the fixtures using a variety of brackets and pipe hangers.

2) Features

- Use DMX to turn power on and off for each fixture group.
- 'Automatic' mode applies power to fixtures when DMX is detected.
- 'ND' (Non-Dim) Adds easy 'reset' control for fixtures that need power cycling.
- Selectable On and Off delay time 1 to 99 seconds in Auto and Non-Dim mode.
- Buffered and isolated DMX output to drive systems with a large number of fixtures or long cable runs.
- Single phase models for powering 110V fixtures.
- Two-phase model for powering 208 – 240V fixtures.
- Meets fixture manufacturer's requirements for full sine wave power supply, no SSR or Triac devices.

3) Benefits

- Extend fixture life and reduce energy use when the lighting system is not in use.
- Isolates fixture electronics from the power grid in cases of spikes, surges or potential lighting damage.
- Power up/down groups of fixtures in steps to reduce strain on power grid.
- Lowers install cost by using a single power drop to support several fixtures.
- Use as a single channel switch pack for motorized effects or other 'non-dimmable' devices.

4) Options

Wireless DMX input option allows 'cable free' deployment of DMX systems, with the economy of a single receiver per lamp bar. A single Wireless receiver can be hard-wired to multiple Watson controllers using standard DMX cable for the rest of the system.

5) Specification

Power Capacity:

110V models - 15 amps continuous with illuminated breaker
208- 240V model – 2 pole 20 amps continuous (no breaker)

Power Input:

Neutrik PowerCon

Power Output:

110V models

- One Neutrik PowerCon
- One 5-15 Duplex
- Six Duplex 5-15 outlets and Neutrik PowerCon
- Six Duplex 5-15 outlets and Neutrik PowerCon in Raceway

208 – 240V model

- One Neutrik PowerCon

Control Connections:

DMX In – One Neutrik 5-pin male XLR

DMX Out – One Neutrik 5-pin female XLR

Buffered DMX Data Output – One Neutrik 5-pin

- USITT DMX512 data using industry standard 485 drivers and socketed IC's. Full galvanic isolation.

User Interface:

4 digit Led 7-segment programmable display with 4-button interface

Display automatically blanks after 1 minute of inactivity

Programmable Control Modes:

- **Au** - Automatic mode: Watson powers devices on and off based on presence of DMX data. Selectable On and Off delay time 1-99 seconds.
- **ND** - Non-Dim mode: Watson switches devices using a selectable DMX channel. Selectable On and Off delay time 1-99 seconds.
- **ON** – Test mode: Fixture “On”
- **OFF** – Test mode: Fixture “Off”

6) Ordering Information

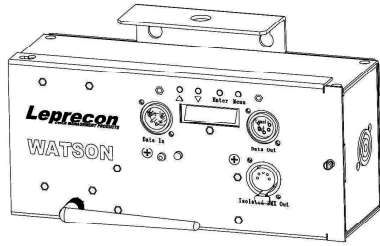
Order Number	Model	Description
90-40-0001	W-1D	9" enclosure with PowerCon Inlet / One 5-15 Duplex outlet
90-40-0002	W-1PC	9" enclosure with PowerCon Inlet / One PowerCon outlet
90-40-0004	W-6D	19" enclosure with PowerCon Inlet / Six 5-15 Duplex and One PowerCon outlet – all switched
90-40-0006	W-6RD	72" bar with PowerCon In/ Six 5-15 Duplex and One PowerCon outlet – all switched
90-40-0011	W-1D, W-DMX	9" enclosure with PowerCon Inlet / One 5-15 Duplex outlet, Wireless DMX Receiver & 2 dBi antenna
90-40-0012	W-1PC, W-DMX	9" enclosure with PowerCon Inlet / One PowerCon outlet, Wireless DMX Receiver & 2 dBi antenna
90-40-0014	W-6D, W-DMX	19" enclosure with PowerCon In / Six 5-15 Duplex and One PowerCon outlet – all switched, Wireless DMX Receiver & 2 dBi antenna
90-40-0016	W-6RD, W-DMX	72" bar with PowerCon In/ Six 5-15 Duplex and One PowerCon outlet – all switched, Wireless DMX Receiver & 2 dBi antenna
90-40-0050	W208-1PC	9" enclosure with PowerCon Inlet / One PowerCon outlet – 2 pole 20A

All models ship with mounting bracket(s).

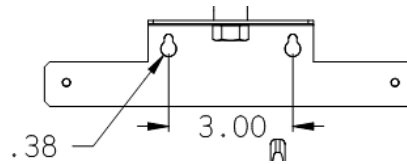
All Wireless DMX models use Wireless Solutions brand W-DMX™

Accessories

Order Number	Description
19-9054	Cable, 15A/125V Male Edison to Neutrik PowerCon, SJ12/3, 6 ft
19-9055	Cable, Neutrik Blue PowerCon, Gray PowerCon, 15A, SJ12/3, 3 ft
19-9056	Cable, 15A/125V Male Edison to Neutrik PowerCon, SJ12/3, 3 ft
19-9057	Cable, 15A/125V Male Edison to Neutrik PowerCon, SJ12/3, 10 ft
19-9058	Cable, Neutrik Blue PowerCon, Gray PowerCon, 15A, SJ12/3, 6 ft
19-9059	Cable, Neutrik Blue PowerCon, Gray PowerCon, 15A, SJ12/3, 10 ft



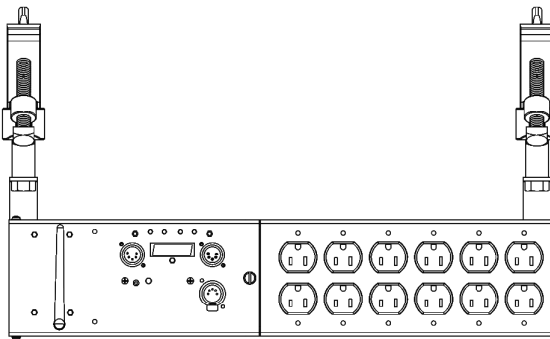
W-1PC, W-DMX with bracket



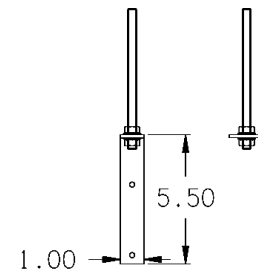
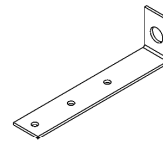
Mounting Bracket detail

Dimensions: 5.05" H (with bracket) x 9.00" L x 2.81" W (4.14" H w/o bracket)
Width shown does not include W-DMX antenna.

Shipping dims & weight: 16" x 7" x 6" - 5 lbs.



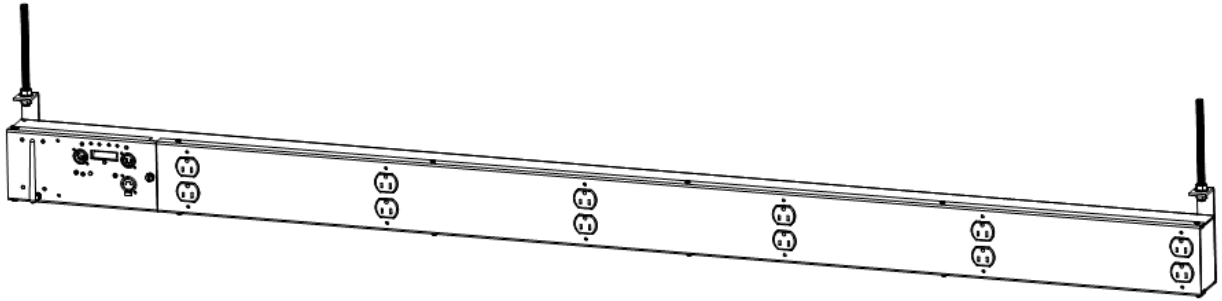
**W-6D with pipe clamp bracket
(Pipe clamps not included)**



Bracket detail for 6D and 6RD models

Dimensions: 4.14" H (w/o bracket) x 19.50" L x 2.81" W
Width shown does not include W-DMX antenna.

Shipping dims & weight: 27" x 7" x 6" - 8 lbs.



W-6RD with mounting bracket and threaded rod adapter

Dimensions: 4.14" H (w/o mounting bracket) x 72" L x 2.81" W
Width shown does not include W-DMX antenna.

Shipping dims & weight: 77" x 7" x 6" - 24 lbs.