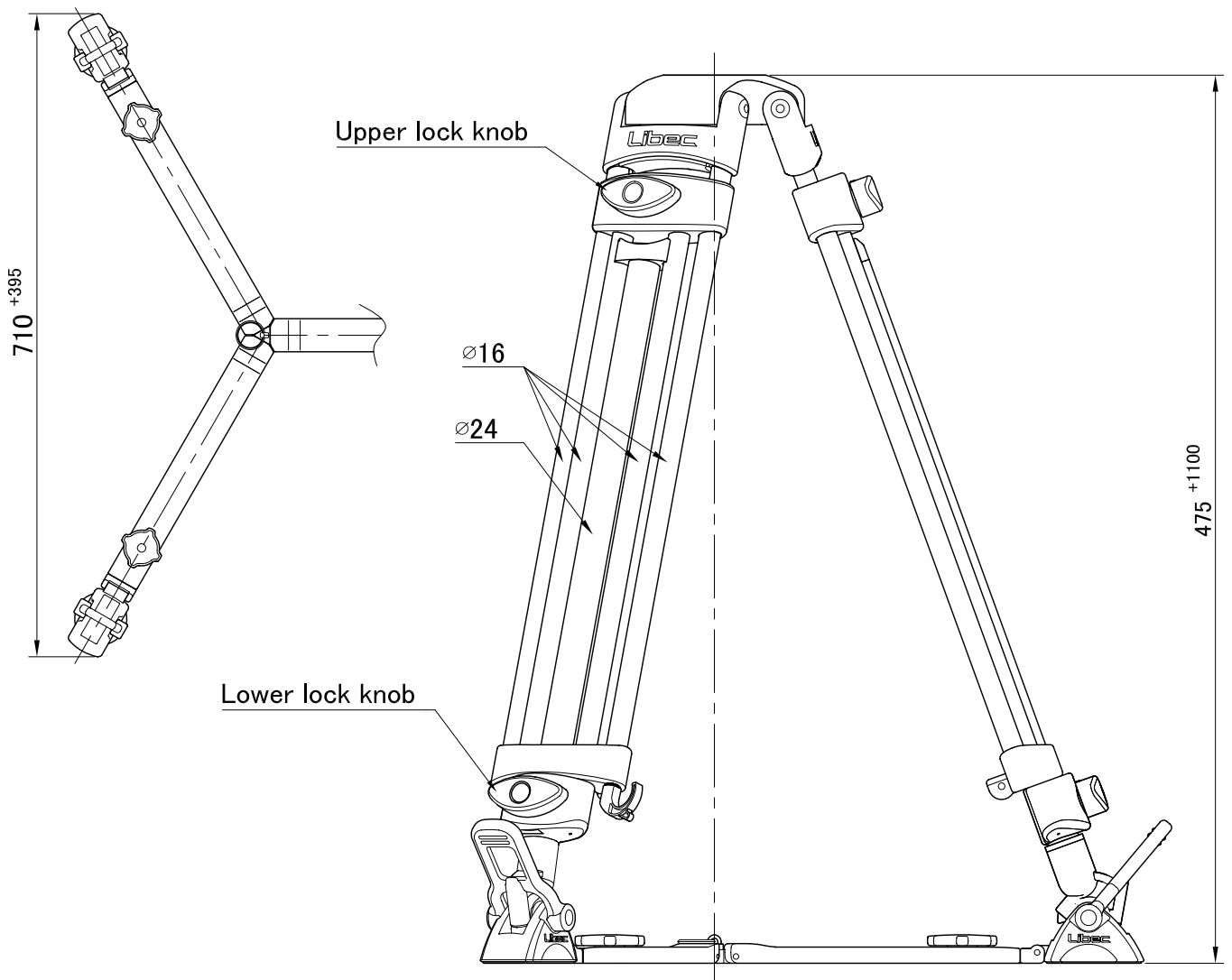


System	RT40RB (Tripod) + SP-2B (Floor spreader)		
Payload	35 kg / 77 lb	Ball diameter	∅75 mm
Weight	4.0 kg / 8.8 lb	Section	2STAGE
Height	① H: 1575 mm W: 710 mm (※Reference)	Tripod fixation	Fixing lock knob
	② H: 475 mm W: 1110 mm (")	Spreader	SP-2B
Folded length	③ L: 740 mm (")	Material	Aluminum pipe , Aluminum alloy, Engineering plastic

Remarks

■ Exterior Dimensions (mm)

■ SP-2B



※Reference

