

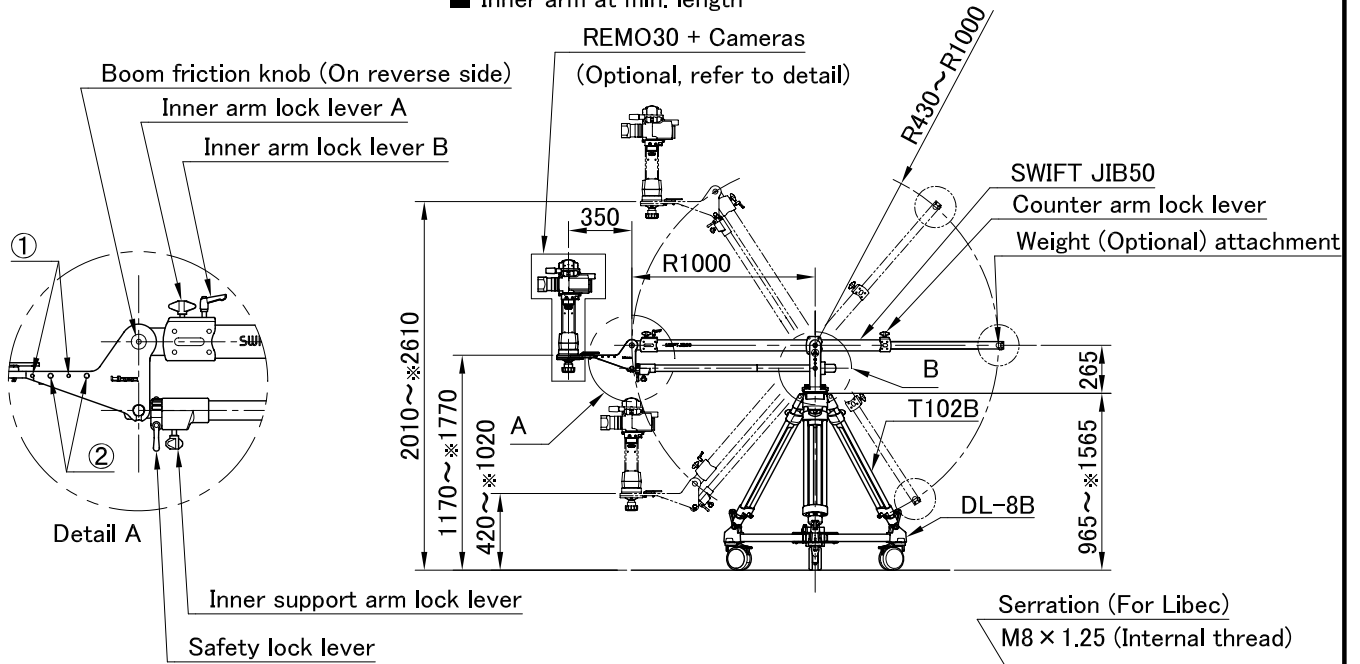
System	SWIFT JIB50 (Jib arm) + T102B (Tripod) + DL-8B (Dolly)		
Payload	20 kg / 44 lb (Inner arm at min. length)	Camera internal thread	① 1/4-20UNC (On both side)
	10 kg / 22 lb (Inner arm at max. length)		② 3/8-16UNC (On both side)
Weight	28 kg / 61.7 lb (Excluding weight kit)	Boom friction	Continuous adjustable
Ball diameter	Head attachment : $\phi 100$ mm , $\phi 75$ mm (Adapter)	Pan friction	Continuous adjustable
	Tripod attachment : $\phi 100$ mm	Weight kit (Optional)	30 kg (WEIGHT 30 KIT : 5 kg $\times$ 4 , 2.5 kg $\times$ 4)

### Remarks

### ■ Exterior Dimensions (mm)

※Denote the Max. extended length of T102B tripod.

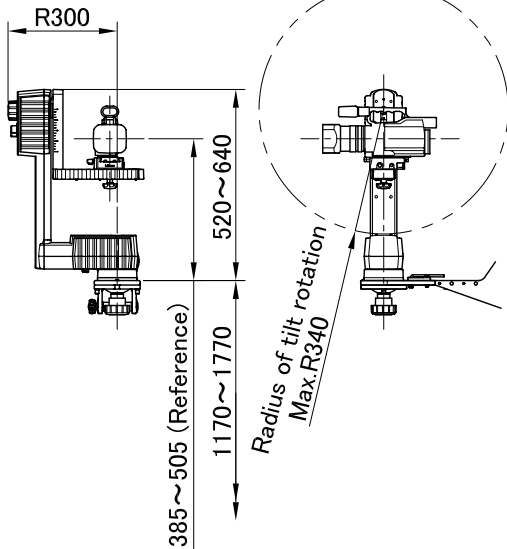
### ■ Inner arm at min. length



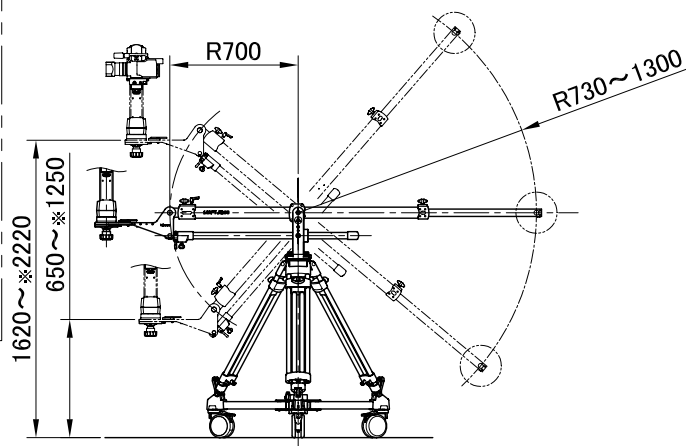
Serration (For Libec)  
M8  $\times$  1.25 (Internal thread)

### ■ REMO30 + Cameras (Optional)

Radius of pan rotation

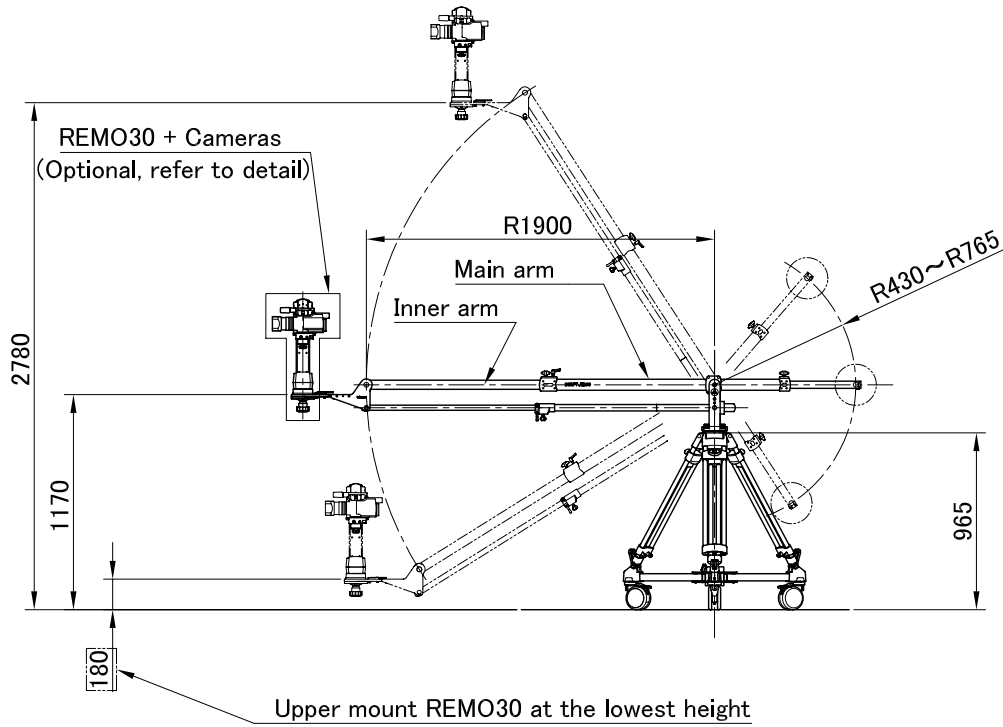


### ■ Main arm at min. length (300 mm movement)



■ Exterior Dimensions (mm)

■ Inner arm at max. length : T102B tripod at min. height



■ Inner arm at max. length : T102B tripod at max. height

