

LIGHTTEL

Inspection Products

Since 2005 Lighttel has been developing eye-safe hand-held video microscopes for inspecting fiber optic connector endfaces. With over 25,000 microscopes designed built and sold, Lighttel products are recognized for their quality, reliability and innovation.

CI-1100-A2



The CI-1100-A2 is a portable hand-held video microscope with LCD display for inspecting fiberoptic connector endfaces. For single mode and multimode connectors.

Features Include:

- A probe for inspecting both patch cord connectors and bulkhead adapters
- A large 3.5" fold-up LCD monitor
- AC or rechargeable battery operation for use in any location
- Available USB2.0 option
- Available IR filter option

Specifications

Probe (CI-1100HS)	
Field of View	~ 425µm x 320µm
Resolution	0.5µm detectable
Focus	Manual adjustment, 2mm max travel
Camera	1/4" CCD
Light source	Blue LED
Dimensions	35mm diameter x 175mm length
Weight	200g

Monitor (CI-1100MS)	
Display	3.5" TFT-LCD, 960 x 240 pixels
Controls	Adjustable brightness and contrast
Dimensions	105mm x 90mm x 45mm (folded)
Weight	255g (without battery)
Power supply	9.6V battery pack or AC power supply
Battery life	4 hours
Charger/AC adapter	US, EU, UK and Australian versions available

<http://lightel.com./product/78/ci-1100-fiber-optic-connector-inspector>

The DI-1000 is a portable hand-held video microscope with USB2.0 connectivity for inspecting fiberoptic connector endfaces. For single mode and multimode connectors.

Features Include:

- A digital probe for inspecting both patch cord connectors and bulkhead adapters
- Direct USB2.0 connection to Windows®-based PCs and notebooks
- Built-in image capture button
- Digital Zoom
- Software included for image viewing, capture and documentation.
Optional Pass/Fail software available
- Powered through the USB connection
- Available IR filter option

DI-1000-B2



Specifications

DI-1000	
Field of view	~ 425µm x 320µm
Resolution	0.5 µm detectable
Focus	Manual adjustment, 2mm max travel
Camera	1/3" CMOS
Light source	Blue LED
Power Supply	PC USB2.0 port
Dimensions	175mm x ø35 mm (Probe without cap)
Weight	200g
Supported Operating Systems	Windows XP®, Vista®, Windows 7® 32-bit and 64-bit processors

<http://lightel.com./product/79/di-1000-digital-inspection-probe>

DI-1000L-PRO



The DI-1000L-PRO combines the wide-view DI-1000L with our ConnectorView Plus v2 Pass/Fail software for fast objective analysis of fiberoptic connector endfaces. For single mode and multimode connectors.

Features Include:

- A digital probe for inspecting both patch cord connectors and bulkhead adapters.
- Direct USB2.0 connection to Windows®-based PCs and notebooks.
- Built-in image capture button.
- Digital zoom.
- Auto-centering of the ferrule image with Pass/Fail analysis.
- Optional inclusion of detailed notes in the Analysis Reports.
- Use IEC 61300-3-35 as analysis criteria, or set your own.
- Available IR filter option.

Specifications

DI-1000L	
Field of view	~ 640µm x 480µm
Resolution	0.5 µm detectable
Focus	Manual adjustment, 2mm max travel
Camera	1/3" CMOS
Light source	Blue LED
Power Supply	PC USB2.0 port
Dimensions	175mm x ø35 mm (Probe without cap)
Weight	200g
Supported Operating Systems	Windows XP®, Vista®, Windows 7® 32-bit and 64-bit processors

<http://www.lighttel.com/product/106/di-1000l-pro>

ConnectorView Plus software is designed for users needing portable automated Pass / Fail software to check for fiber optic connector endface contamination. Can be used with any Lighttel video microscope through a USB2.0 port. For Windows XP®, Vista®, and Windows 7® 32 and 64-bit PCs.

Features Include:

- Self-calibrating – no need to constantly readjust settings.
- Single mode and Multimode connector settings.
- Include notes in your Analysis Reports.
- Adjustable acceptance criteria – Use default IEC 61300-3-35 or set to your own corporate requirements. The criteria used are shown on every report.
- Summary reports available in Excel® or a text file for every saved analysis report.
- Save only the reports you choose, or save them automatically.
- Automatic centering when used with DI-1000L.

ConnectorView™ Plus



<http://lighttel.com./product/80/connectorview-plus-software>

ViewConn® VC-6200



The VC-6200 is a portable hand-held video microscope, ruggedized for field use, for inspecting and cleaning fiberoptic connector endfaces. For single mode and multimode connectors.

Features Include:

- Inspect and clean with one unit.
- A large 3.5" built-in display screen.
- USB2.0 connection for viewing, capture and documentation on Windows®-based PCs and notebooks. Easy-to use software included. Optional Pass/Fail software available.
- Replaceable cleaning cassette attached.
- Ruggedized cover.
- AC or rechargeable AA battery operation for use in any location.
- Universal UPC, APC and specialty tips are available.

Specifications

ViewConn (VC-6200)	
Field of view	~ 425µm x 320µm
Resolution	0.5 µm detectable
Focus	Manual adjustment, 2mm max travel
Light source	Blue LED
Display	3.5" TFT-LCD, 960 x 240 pixels
Controls	Adjustable brightness and contrast

Power supply	4 AA rechargeable batteries or AC power supply
Battery life	4 hours
Charger & AC adapter	US, EU, UK and Australian versions available
Dimensions	170mm x 95mm x 30mm (without cover)
Weight	350g (without battery)

<http://lightel.com./product/74/viewconn>

The VC-6200-PL is a portable hand-held video microscope, ruggedized for field use, for inspecting and cleaning fiberoptic connector endfaces. The dual microscope operation significantly reduces inspection time allowing inspection of both patchcord and bulkhead adapters without changing tips. For single mode and multimode connectors.

Features Include:

- Dual microscopes (built-in and probe) enable rapid inspection of patch cords and in bulkhead adapters at the flip of a switch.
- Inspect and clean patch cords with one unit.
- A large 3.5" built-in display screen.
- USB2.0 connection for viewing, capture and documentation on Windows®-based PCs and notebooks. Easy-to use software included. Optional Pass/Fail software available.
- Replaceable cleaning cassette attached.
- Ruggedized cover.
- AC or rechargeable AA battery operation for use in any location.

ViewConn® Plus VC-6200-PL



Specifications

ViewConn (VC-6200)	
Field of view	~ 425µm x 320µm
Resolution	0.5 µm detectable
Focus	Manual adjustment, 2mm max travel
Light source	Blue LED
Display	3.5" TFT-LCD, 960 x 240 pixels
Controls	Adjustable brightness and contrast
Power supply	4 AA rechargeable batteries or AC power supply
Battery life	4 hours
Charger & AC adapter	US, EU, UK and Australian versions available
Dimensions	170mm x 95mm x 30mm (without cover)
Weight	350g (without battery)

Probe (CI-1100HS)	
Field of view	~ 425µm x 320µm
Resolution	0.5 µm detectable
Focus	Manual adjustment, 2mm max travel
Light source	Blue LED
Dimensions	35mm diameter x 175mm length
Weight	200g
Power supply	ViewConn via 4-pin jack

<http://lightel.com./product/75/viewconn-plus>

ViewConn® Pro VC-8200



The VC-8200 is an integrated system for fiberoptic connector inspection, evaluation, documentation and cleaning. With built in Wi-Fi, ViewConn Pro can send its Pass/Fail analysis reports via email to other locations or store them directly within the unit. An optical power meter can also be integrated with the unit.

Features Include:

- Dual microscopes (built-in and probe) enable rapid inspection of patch cords and in bulkhead adapters.
- Inspect and clean patch cords with one unit.
- A large 5" touchscreen display.
- Pass / Fail analysis software.
- Store analysis and summary reports.
- Replaceable cleaning cassette attached.
- Ruggedized cover.
- AC or rechargeable AA battery operation for use in any location.

Specifications

ViewConn	
Field of view	~ 464µm x 348µm
Resolution	0.5 µm detectable
Optical Sensor	CMOS
Light source	Blue LED
LCD Display	5" LCD color touchscreen
Power Supply	Li-Ion internally rechargeable battery or 12V DC adapter Adjustable automatic power saving Low battery indicator
Battery	Li-Ion, 7.4V, 3700mAh
Battery Life	≥3 hours (continuous)
Electrical Ports	DC adapter plug port 1 USB2.0 port
Dimensions (including ruggedized cover)	186mm (H) x 218mm (W) x 44mm (D)
Weight (including battery and ruggedized cover)	1.4kg
Storage	8GB SSD
Memory	1GB
Processor	Atom Z530
Internet Connection	Wi-Fi

Probe (DI-1000L)	
Field of view	~660µm x 495µm
Resolution	0.5 µm detectable
Optical Sensor	CMOS
Light source	Blue LED
Power Supply	USB2.0 connection with ViewConn
Output	USB2.0 plug
Dimensions	35mm ø x 175mm (without cap)

Software (pre-loaded)	
Operating System	Windows XP®
ConnectorView™ Plus	Pass/Fail Analysis Full screen, touchscreen operation
Analysis Time	~4 seconds (average)

<http://lighttel.com/product/105/viewconn-pro>

The VC8-OPM is an optical power meter add-in module designed to integrate with ViewConn Pro. Readings are displayed on ViewConn Pro's large color touchscreen and can be integrated with a Pass/Fail report, or stored independently.

Features Include:

- Calibrated Wavelengths of 850, 1300, 1310, 1490, 1550 and 1625nm
- Power Range from -60dBm to +10dBm (VC8-OPM)
- Power Range from -45dBm to +26dBm (VC8-OPM-H)
- Resolution 0.01dB
- Tone detection at 270Hz, 1kHz and 2kHz



<http://lighttel.com/product/105/viewconn-pro>

ViewConn® VC6-OPM
ViewConn® VC6-OPM-H



The VC6-OPM is an optical power meter designed to attach to ViewConn®. Able to store 999 readings, the VC6-OPM shares ViewConn's batteries and large easy-to-read display screen. It adds accurate optical power testing to ViewConn's cleaning and inspection capabilities creating an integrated 3-in-1 hand-held device.

Features Include:

- Calibrated Wavelengths of 850, 1300, 1310, 1490, 1550 and 1625nm
- Power Range from -60dBm to +10dBm (VC6-OPM)
- Power Range from -45dBm to +26dBm (VC6-OPM-H)
- Resolution 0.01dB
- Tone detection at 270Hz, 1kHz and 2kHz
- Data Storage of 999 readings
- Simple USB Download with save to text or Excel feature

<http://lightel.com/product/76/viewconn-power-meters>

The CI-1000-USB2 is a USB2.0 adapter for use with Lightel's CI-1000 and CI-1100 video microscopes. The adapter can be used with any Windows® based computer with a USB2.0 port. A CD with Lightel's ConnectorView™ image capture software is included. Connector endfaces can be viewed live and images captured and saved on the computer. The IEC standard Cleaning Zones can be automatically displayed and included with the captured images.

ConnectorView Plus v2 can also be used with this adapter.

CI-1000-USB2

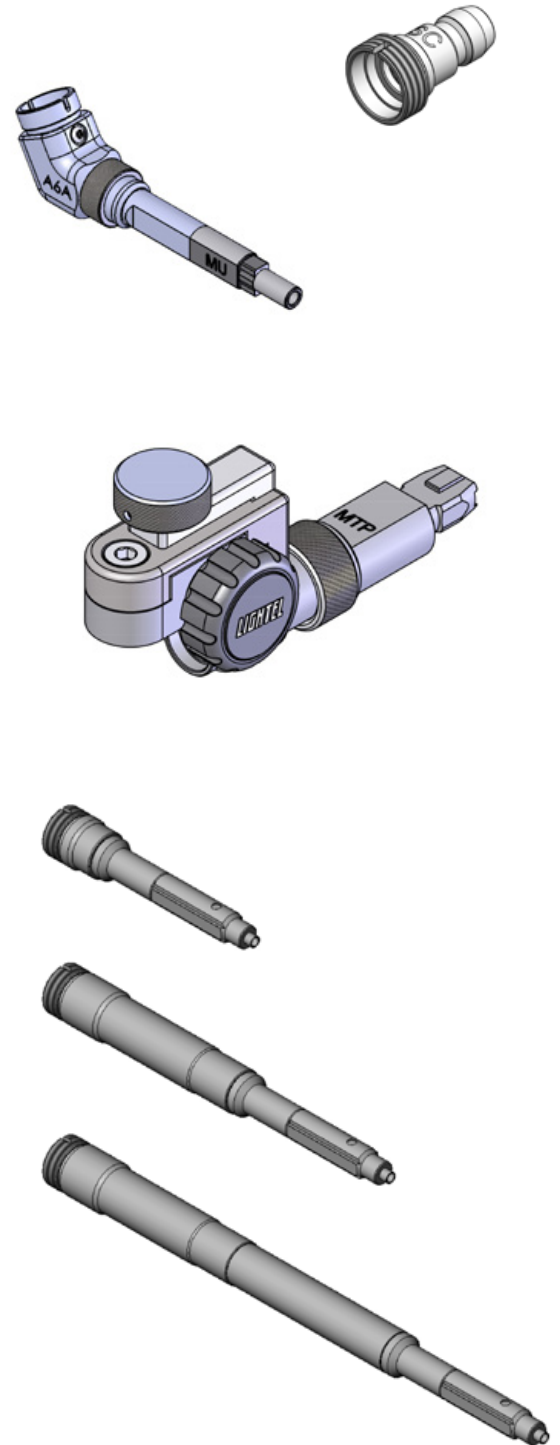


Male	
Universal 2.5mm probe tip for PC type male connectors	PT2-U2.5/PC/M
Slim 2.5mm probe tip for PC type termini	PT2-TM2.5/PC/M
Universal 1.25mm probe tip for PC type male connectors	PT2-U1.25/PC/M
Slim 1.25mm probe tip for male LuxCis, LEMO F7 and termini	PT2-TM1.25/PC/M
Universal 2.0mm probe tip for PC type male termini and LEMO F2	PT2-U2.0/PC/M
Slim 1.6mm probe tip for PC type male connectors and termini	PT2-TM1.6/PC/M
Tip for SMA 905 male connectors	PT2-SMA/PC/M
Universal 2.5mm probe tip for APC type male connectors	PT2-U2.5/APC/M
Universal 1.25mm robe tip for APC type male connectors	PT2-U1.25/APC/M
Female	
SC	
Tip for SC PC type female connectors	PT2-SC/PC/F
Short Extended tip for SC PC type female connectors	PT2-SC/PC/F-S
Medium Extended tip for SC PC type female connectors	PT2-SC/PC/F-M
Long Extended tip for SC PC type female connectors	PT2-SC/PC/F-L
60° angled tip for SC PC type female connectors	PT2-SC/PC/F-A6
Tip for SC APC type female connectors	PT2-SC/APC/F
Short Extended tip for SC APC type female connectors	PT2-SC/APC/F-S
Medium Extended tip for SC APC type female connectors	PT2-SC/APC/F-M
60° angled tip for SC APC type female connectors	PT2-SC/APC/F-A6
Tip for hardened SC/APC (Optitap®) female connectors	PT2-OTAP/APC/F
FC	
Tip for SC and FC PC type female connectors	PT2-FS/PC/F
Short Extended tip for FC and SC PC type female connectors	PT2-FS/PC/F-S
Medium Extended tip for FC and SC PC type female connectors	PT2-FS/PC/F-M
60° angled tip for FC and SC PC type female connectors	PT2-FS/PC/F-A6
Tip for SC and FC APC type female connectors	PT2-FS/APC/F
ST	
Tip for ST PC type female connectors	PT2-ST/PC/F
Short Extended tip for ST PC type female connectors	PT2-ST/PC/F-S
Long Extended tip for ST PC type female connectors	PT2-ST/PC/F-L
60° angled tip for ST female connectors	PT2-ST/PC/F-A6
E2000	
Short Extended tip for E2000 PC type female connectors	PT2-E2K/PC/F-S
Medium Extended tip for E2000 PC type female connectors	PT2-E2K/PC/F-M
Tip for E2000 APC type female connectors	PT2-E2K/APC/F
LC	
Tip for LC PC type female connectors	PT2-LC/PC/F
Short Extended tip for LC PC type female connectors	PT2-LC/PC/F-S
Medium Extended tip for LC PC type female connectors	PT2-LC/PC/F-M
60° angled tip for LC PC type female connectors	PT2-LC/PC/F-A6
Tip for LC APC type female connectors	PT2-LC/APC/F
MU	
Tip for MU PC type female connectors	PT2-MU/PC/F
Short Extended tip for MU PC type female connectors	PT2-MU/PC/F-S
Long Extended tip for MU PC type female connectors	PT2-MU/PC/F-L
60° angled tip for MU PC type female connectors	PT2-MU/PC/F-A6
Specialty	
Tip for LEMO female connectors (SMPTE F2)	PT2-LEMO/PC/F
Tip for SMA 905 female connectors	PT2-SMA/PC/F
Tip for 2.0mm female termini	PT2-TM2.0/PC/F
Tip for 1.6mm female termini	PT2-TM1.6/PC/F
Tip for ELIO 2.5mm female connectors	PT2-ELIO2.5/PC/F
Guide and universal tip for male and female TFOCA II connectors	PT2-TFO2-KIT
Tip for LX.5 PC female connectors	PT2-LX.5/PC/F
Tip for LX.5 APC female connectors	PT2-LX.5/APC/F
MTP/MPO (For both male and female connectors)	
Extended tip for MTP PC type connectors	PT2-MTP/PC-EXT
Extended tip for MTP multi-row PC type connectors	PT2-MTP/PC-XY-EXT
Extended tip for MTP/APC connectors	PT2-MTP/APC-EXT
Tip for OptiTip® APC type connectors	PT2-OTIP/APC

A Partial List of Tips

Lighttel offers a line of over 80 UPC and APC tips for our microscopes including extended reach and 60° angled tips available for difficult access applications. Various ribbon connector tips are also available.

A complete list can be found on our website



About Lightel

LIGHTEL designs, manufactures, and supplies a broad range of products and services to the fiber optic industry worldwide. Since our beginning in 1999, we have continued our solid growth pattern, and have become a recognized leader in bringing ELeMental innovations to LIGHT. Starting out with Coupler Workstations for manufacturing Fused Biconic Taper products, LIGHTEL has expanded into Fused Fiber components, Micro-Optic passive optical components, Video Microscopes for inspection purposes, and many other fiber optic related products and services. Our coupler workstations are updated to reflect the latest in software, packaging, and control systems. Our broad range of analog and digital video microscope products keeps network down time to a minimum, and allows documentation through an easy to use software interface. All LIGHTEL passive components are reliable, tested before shipment, and qualified to applicable standards for indoor or outdoor use. Our technology innovations have resulted in many US Patents awarded, with several pending. Our customer service has received numerous recognition awards from our manufacturing partners.



Features Comparison

	CI-1100-A2	CI-1100-AB2	DI-1000 DI-1000L	ViewConn®	ViewConn Plus	ViewConn Pro
Eye-safe video inspection	√	√	√	√	√	√
Hand held	√	√	√	√	√	√
CE approved	√	√	√	√	√	√
RoHS compliant	√	√	√	√	√	√
LCD Display	√	√		√	√	√
USB connectivity	*	√	√	√	√	√
PC and APC connector viewing	√	√	√	√	√	√
Male connector viewing	√	√	√	√	√	√
Female connector viewing	√	√	√		√	√
Carrying case	√	√	√	*	*	√
Digital zoom			√			√
Ruggedized cover				√	√	√
Built-in cleaning module				√	√	√
Two optical modules					√	√
ConnectorView Plus Pass / Fail software		*	*	*	*	√
Built-in memory and storage						√
Integrated Optical Power Meter				*	*	*

*Available Option