

DESCRIPTION

The IDP-104 is an optically isolated DMX splitter with one DMX input and four independent DMX output circuits.

The DMX input is overcurrent and overvoltage protected in each of the three DMX lines (Data-, Data+, and Common).

Each of the four DMX output circuits also have overcurrent and overvoltage protection in each of the three DMX lines (Data-, Data+, and Common).

The IDP-104 is powered by an external, low voltage, UL listed, power supply which is provided with the unit.

There are two versions of the IDP-104.

PORTABLE UNIT:

This version is supplied in a compact portable box with 5 pin XLR connectors for DMX IN and DMX OUT.

The units dimensions are 5.125"W X 1.75"H X 5.25"D.

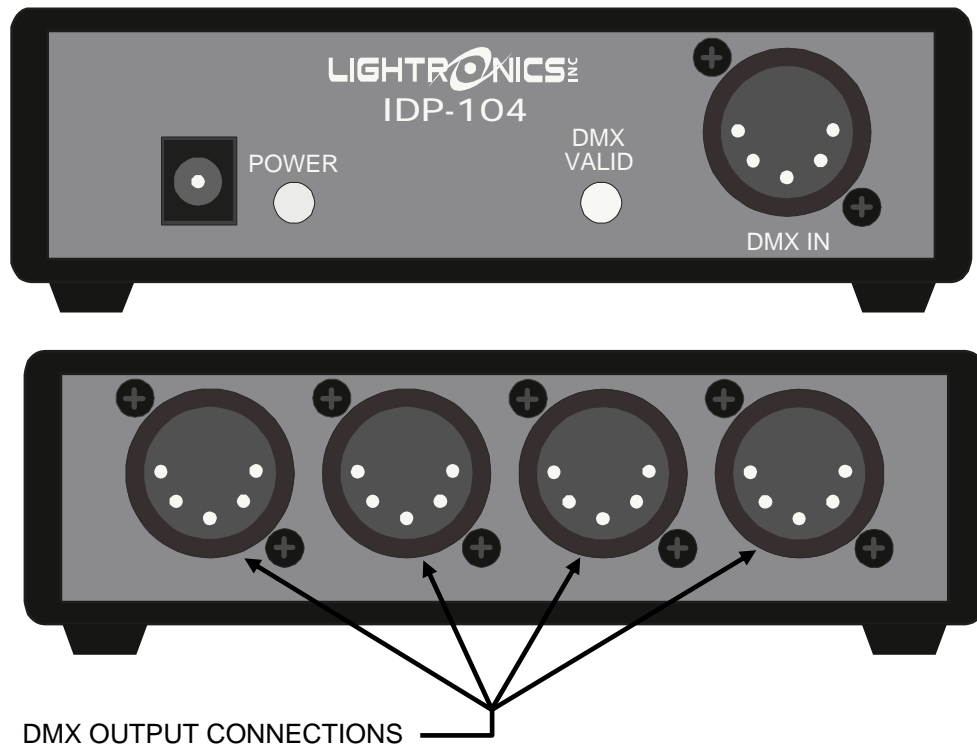
WALL MOUNT UNIT:

This unit has Model Number IDW-104

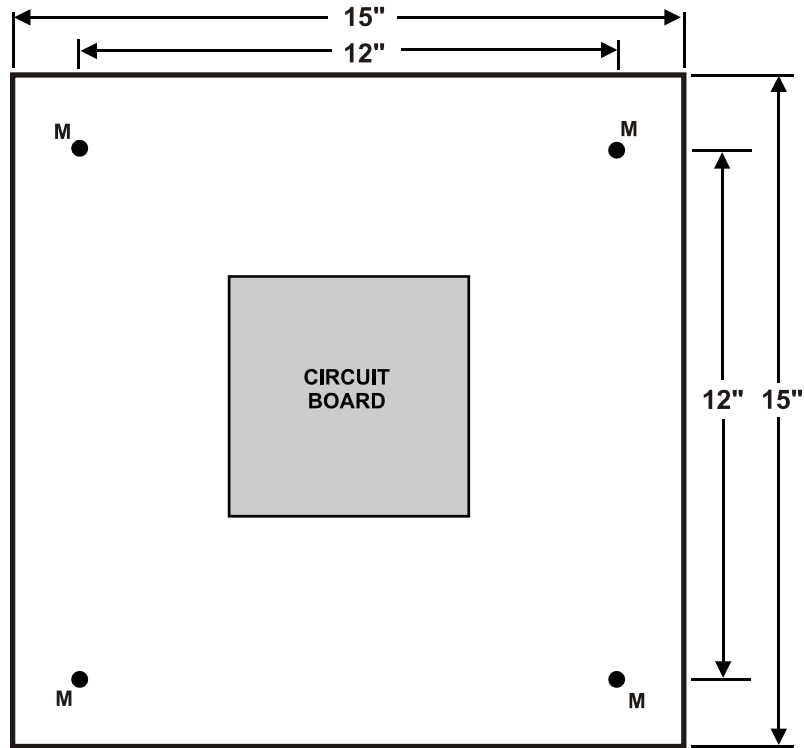
The wall mount version is supplied in a metal box with appropriate mounting holes. Knockouts are provided for signal access. DMX IN and DMX OUT connections are via terminal strips with screw down terminals.

The units dimensions are 15"W X 15"H X 3.25"D.

PORTABLE UNIT FRONT AND BACK VIEW

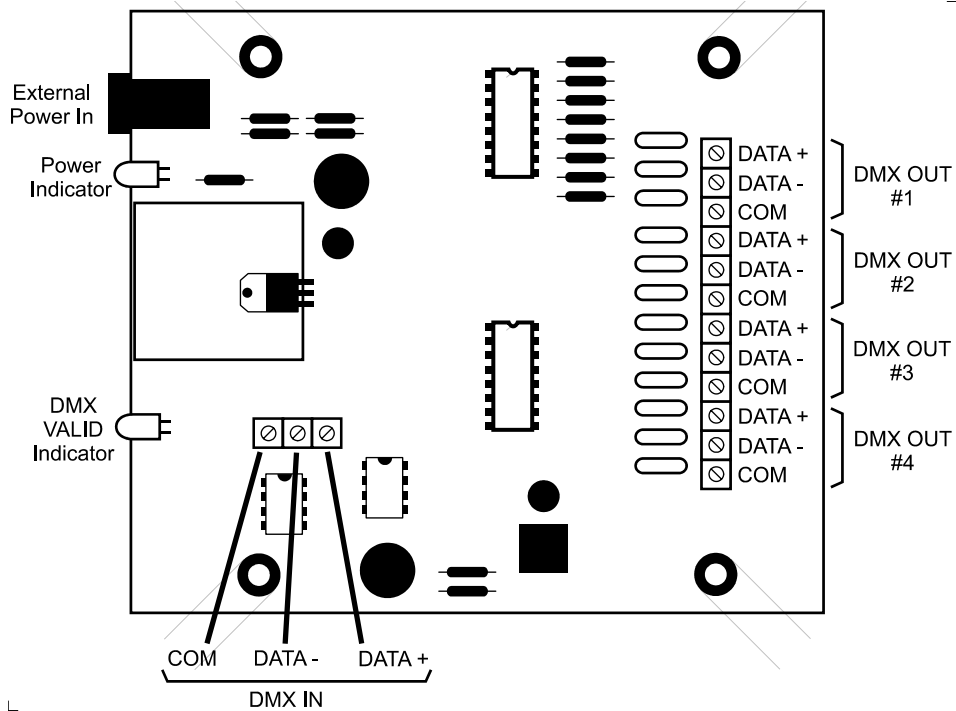


IDW-104 WALL MOUNT UNIT FACE VIEW (Cover Removed)



Chassis depth is 3.25".
M = Mounting Holes: 0.255" DIAM. Will accept a 1/4 - 20 bolt.
Four dual knockouts are provided on each side and on the top and bottom.

WALL MOUNT UNIT INTERNAL BOARD



INSTALLATION

Diagrams in this manual show all signal and power connections for both the portable and wall mount units.

POWER SUPPLY

The IDP-104 will operate using any external power supply which can provide 13 - 24 Volts AC or DC at 600 mA minimum. The size of the power input connector on the unit is 2.1mm X 5.5mm. If an external DC power supply is used, the center pin of the connector **MUST** be the **NEGATIVE** side of the supply.

The power supply normally provided with unit is 13VAC, 800 mA.

OPERATION

Operation is automatic when the power supply and a DMX input signal are connected. The front panel contains a power indicator LED which is lighted when power is applied. A "DMX VALID" LED indicator is lighted when a DMX input signal is present.

MAINTENANCE

There are no user servicable parts in the unit. Internal service on the unit by other than Lightronics authorized agents will void the warranty.

Dealer and Lightronics factory personnel can help you with operation or maintenance problems. Please read the applicable parts of this manual before calling for assistance.

If service is required - contact the dealer from whom you purchased the unit or contact Lightronics, Service Dept., 509 Central Drive, Virginia Beach, VA 23454 TEL: (757) 486-3588.

The banner features the Lightronics logo on either side of a central dark grey rectangle containing the word "WARRANTY" in white, bold, uppercase letters. The logo consists of the word "LIGHTRONICS" in a sans-serif font with a stylized 'O' containing a circle.

LIGHTRONICS WARRANTY LIGHTRONICS

All Lightronics products are warranted for a period of TWO/FIVE YEARS from the date of purchase against defects in materials and workmanship.

This warranty is subject to the following restrictions and conditions:

- A) If service is required, you may be asked to provide proof of purchase from an authorized Lightronics dealer.
- B) The FIVE YEAR WARRANTY is only valid if the warranty card is returned to Lightronics accompanied with a copy of the original receipt of purchase within 30 DAYS of the purchase date, if not then the TWO YEAR WARRANTY applies. Warranty is valid only for the original purchaser of the unit.
- C) This warranty does not apply to damage resulting from abuse, misuse, accidents, shipping, and repairs or modifications by anyone other than an authorized Lightronics service representative.
- D) This warranty is void if the serial number is removed, altered or defaced.
- E) This warranty does not cover loss or damage, direct or indirect arising from the use or inability to use this product.
- F) Lightronics reserves the right to make any changes, modifications, or updates as deemed appropriate by Lightronics to products returned for service. Such changes may be made without prior notification to the user and without incurring any responsibility or liability for modifications or changes to equipment previously supplied. Lightronics is not responsible for supplying new equipment in accordance with any earlier specifications.
- G) This warranty is the only warranty either expressed, implied, or statutory, upon which the equipment is purchased. No representatives, dealers or any of their agents are authorized to make any warranties, guarantees, or representations other than expressly stated herein.
- H) This warranty does not cover the cost of shipping products to or from Lightronics for service.
- I) Lightronics Inc. reserves the right to make changes as deemed necessary to this warranty without prior notification.