

# Bring Compact, Powerful, & Versatile LED Lighting to Your Next Interview

## Introducing the Lowel Blender 3 Light Kit



Todays run & gun video shooter can easily find themselves in a variety of lighting sources during the course of their day.

Tungsten incandescent, office fluorescent, daylight, or the dreaded office setting that contains a mix of all three.

Now you can work quickly in any of these settings with full creative flexibility, using the Lowel Blender 3 Light Kit.

- Kit contains 3 Lowel Blenders with diffusers, plus compact Uni-stands, and auto-setting AC adaptors in a compact Slim Litebag.
- Each Blender has 2 sets of LED's, in Tungsten & Daylight color, which are quickly & easily blended to your desired color output. Diffusers vary the character of the light.
- Light to match the color temperature of your location, or contrast it to create a sense of depth & drama. You have creative control, light it the way you see it.
- Room inside for accessory Camcorder Battery Sled 3 Packs or industry standard battery cables.



Easy to Use Intuitive Controls



3 Blenders, used in different colors, combine for perfect interview lighting.



Tungsten



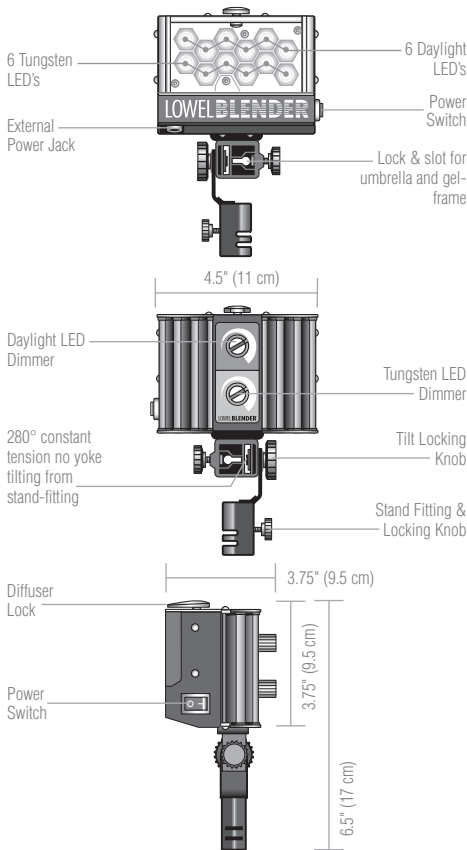
Household Fluo



Daylight

Lowel Blender matches your location's existing light, adding the perfect amount of fill in the same color temperature.

## Lowel Blender Technical Data



**Size:** 6.5 x 4.5 x 3.5", (17 x 11 x 9 cm)  
**Weight less cable:** 1.2 lbs. (550 g)  
**AC Wattage draw:** 16 Watts, per fixture  
**Max. amperage:** 1.25 - 3 amps per fixture, depending on input voltage  
**Beam control:** Fixed focus LEDs with accessory diffusers to vary quality  
**Fits on:** 5/8" (1.59 m) studs and accessories  
**Materials:** Primarily aluminum steel, & thermo plastic  
**Switch:** in-head  
**Patent Pending**

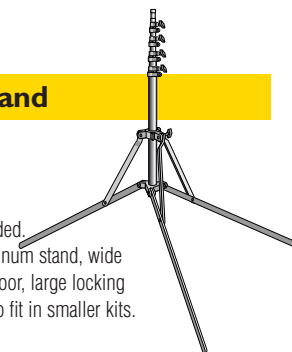
## Lowel Uni-stand

### Uni-stand

**Code:** UN-33

**Weight:** 2.4 lbs (1.1 kg)

**Size:** 21.5" (54.6 cm) folded.  
 Extends to 7"11" All aluminum stand, wide base, legs can lie flat to floor, large locking knobs. Folds compactly to fit in smaller kits.



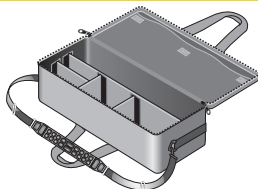
## Lowel Slim Litebag

**Code:** LB-24

**Size:** 23 x 9 x 6"  
 (58 x 23 x 15 cm)

**Weight:** 3.5 lbs (1.6 kg)

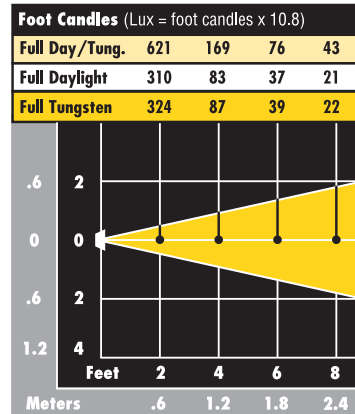
New Litebag, more compact than Lowel Small Litebag (LB-30). Made of polyester with vinyl coated backing. Supplied with velcro partitions, and padded shoulder strap (SS-10).



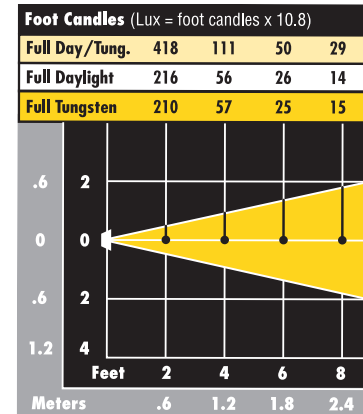
## Performance

The below charts show foot candle readings for Lowel Blender, at full combined brightness (both daylight & tungsten LED's), as well as daylight and tungsten LED's separately at full brightness. Readings are shown with & without supplied Lite Frost front diffuser attached.

### Without Diffuser



### With Lite Frost Diffuser



Beam angles-points at which intensity drops to 50% of maximum.

Readings taken with Minolta CL-200 meter.



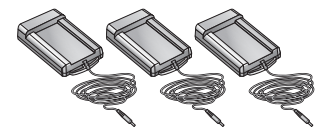
## Blender 3 Light Kit

**Code:** BLN-9340LB

**Weight:** 17 lbs (7.7 kg)

3 Lowel Blenders (BLN-10), each with supplied front clear safety plastic, auto voltage-setting AC adaptor (with 120v Edison & 240v 2 pin Euro plugs), & 3 accessory front diffuser, 3 Lowel Uni-stands (UN-33), 1 Slim Litebag (LB-24)

## DC Battery Options



### Camcorder Battery Sled 3 Packs

Pack of 3 battery sleds. Accepts below listed DV camcorder batteries to power Lowel Blender. With belt clip, and velcro strap for hanging from stand.

### Panasonic Camcorder Battery Sled 3 Pack

**Code:** BSLD-113

### Canon Camcorder Battery Sled 3 Pack

**Code:** BSLD-133

### Sony Camcorder Battery Sled 3 Pack

**Code:** BSLD-123

### Cigarette Plug Cable

**Code:** BL-85

Adapts Blender power connector jack to Cigarette Lighter plug for battery use. Length, 5 ft.



### 4-Pin XLR Cable

**Code:** BL-82

Adapts Blender power connector jack to male 4-pin XLR plug for battery use. Length, 5 ft.



### Anton Bauer D-Tap Cable

**Code:** BL-83

Adapts Blender power connector jack to male Anton Bauer D-Tap plug for battery use. Length, 5 ft.

