

# Table of Contents

## Warnings

|                     |    |                         |        |
|---------------------|----|-------------------------|--------|
| <b>B</b>            |    | <b>M</b>                |        |
| Brellas             | 13 | Maxamount               | 13     |
| <b>C</b>            |    | Missing Link            | 12     |
| Ceiling link        | 12 | <b>O</b>                |        |
| Clamps & Mounts     | 12 | Omni-light              | 3      |
| <b>D</b>            |    | Omni-stand              | 11     |
| D Light             | 8  | <b>P</b>                |        |
| DP Accessories      | 8  | Parts List & Prices     | insert |
| DP Light            | 8  | Pro-light               | 4      |
| <b>F</b>            |    | Pro & i Front End       | 4      |
| Flags & Gel Holders | 13 | <b>R</b>                |        |
| Flexi-shaft         | 13 | Reflectors, Umbrellas & | 13     |
| Fren-L 650          | 8  | Rifa-lite               | 6-7    |
| Full Pole           | 8  | <b>S</b>                |        |
| <b>G</b>            |    | Scissor-mount           | 12     |
| Gel Holders & Flags | 13 | Softlight 2             | 10     |
| Grand Stand         | 11 | Space Clamp             | 12     |
| Gridlock            | 12 | Stands, Poles &         | 11     |
| Grip                | 12 | <b>T</b>                |        |
| <b>H</b>            |    | Tota Frame              | 13     |
| Half Pole           | 11 | Tota-clamp              | 12     |
| <b>I</b>            |    | Tota-flag               | 13     |
| i-light             | 5  | Tota-flector            | 13     |
| id-light            | 5  | Tota-light              | 3      |
| Interlink           | 12 | Tota-mount              | 12     |
| <b>K</b>            |    | Tota-tilter             | 12     |
| KSA Stand           | 11 | Tota/Omni Accessories   | 3      |
| KS Stand            | 11 | <b>U</b>                |        |
| KS Jr. Stand        | 11 | Umbrellas               | 13     |
| <b>L</b>            |    | Uni-stand               | 11     |
| L-light             | 10 | Uni Sr. Stand           | 11     |
| L-light Home-plate  | 10 | <b>V</b>                |        |
| Light-Array         | 9  | V-light                 | 4      |
| Lightflector        | 13 | Variflector II          | 13     |
| Lobo & Lobo Arm     | 12 | VIP Accessories         | 4-5    |
| Lowel Caster        | 11 | <b>W</b>                |        |
| Lowel-light         | 10 | Warranty                | 14     |
| Lowel Weight        | 11 |                         |        |

# General Information



## General

### The Lowel Parts Booklet can be used to:

- a) identify and order parts for replacement and repair;
- b) clarify the assembly sequence of parts while making repairs;
- c) select spare parts for repair departments.

### How to use

Consult the index/table of contents for appropriate equipment page number; locate the part number on the drawing or table and find the name and cost of the part on numerically arranged center price list insert. Replacement equipment available directly from Lowel is arranged in three groups—individual parts, assemblies and products.

**Assemblies** are groups of parts assembled in our factory. Most **Products** are available only through Authorized Lowel Dealers. The products listed in the price list insert, as well as some others, may be purchased directly from Lowel.

Most assemblies and parts shown in the exploded view drawings have numbers; however, some do not. Those with numbers can be used for replacement or repair using a few basic tools. Parts without numbers require special tools or assembly techniques (such as riveting) and are not available.

### Ordering Parts

Check with your Lowel Dealer to determine if they have stock of the needed items. If not, Lowel can ship parts from our Factory. **See back of price list insert for more information.** We make every effort to ship parts within a few days. Lowel parts are available only in limited quantities for the purpose of maintaining and repairing Lowel equipment. Price and availability are subject to change without notice.

### Repairs

Some Lowel Dealers can repair our equipment. If your dealer is not able to handle repairs, send or bring your Lowel equipment to our Brooklyn Factory along with a description of the problem. Please include your daytime phone number. We will charge on a time and materials basis and will not undertake repairs that rival new equipment costs. Requests for quotes will necessarily delay repairs.

**For warranty repair, see Limited Warranty.**

■ **Always read the instructions supplied with Lowel fixtures.** Copies are available by contacting us, or on [www.lowel.com](http://www.lowel.com).

■ **Electrical repairs should be undertaken only by qualified electricians.** Lowel will not be held liable for any loss, damage, injury, or expenses of any kind resulting from out-of-factory alteration, modification or repair of any Lowel product.

■ **Serious damage to lights and to users can result from interfering with the unit's ventilation.**

Never cover any light with aluminum foil or other materials. Make certain that reflector doors on the Tota-light are open to the proper minimum operating position before turning the unit on. Similarly, make certain that the lamp covers on the Softlight are properly opened before operation.

■ **Safety screens must always be used.** Tota, Omni, and DP Lights all come with safety screens that attach to the front of the fixture to provide added protection in case of an exploding lamp.

**If you own older fixtures (pre-1990) without safety screens, please contact us. We'll send free safety screens for your lights.**

## Tips

### Causes of Short Lamp Life

#### 1) Defective lamps

Due to inconsistencies in lamp production, an individual lamp or a batch of lamps may function for far less than their "rated life." If all other short-life factors are properly attended to, and you think that your lamps are defective, contact your dealer or the lamp manufacturer with the following information: manufacturer's name, total operating life of each lamp (in approximate hours), and the batch number printed on the lamp base of each lamp.

#### 2) Improper insertion (seating) of lamps

In order to maintain proper electrical contact, new sockets are "stiff" and may require considerable lamp insertion pressure. If the lamp is not fully inserted arcing and pitting of the socket contacts and lamp pins may occur. This diminishes electrical contact, and causes overheating of these parts, leading to rapid lamp contact and socket contact deterioration.

#### 3) Defective or worn-out lampholders (sockets)

If the contact or contact spring in any light fixture is loose or dark or dull or pitted, short lamp life and erratic (turning on-off) performance may result. Lampholders with dark, loose or pitted contacts should be replaced.

#### 4) Use of the fixture in improper orientations

See instructions for individual light fixtures.

#### 5) Operating the fixture at improper voltages

Lamps must be operated at proper voltages. Never use 12, 30 or 120V lamps at higher source voltages. Check lamp voltage and source voltage before turning on light.

#### 6) Shock or vibration

Compact filament lamps (such as the Pro and Omni) may fail if subjected to vibration while on. Turn off light before moving or adjusting. Focus smoothly.

#### 7) Frequent removal and insertion of lamp

Leave lamps in fixtures during normal location transport.

#### 8) Ventilation obstruction

Never block any vents on any Lowel light, for any reason.

### Cables

It is not unusual for cables to be warm during normal operation. However, switches should not be warmer than the cable. A hot switch or electrical plug (male or female) may be on the verge of failure, and should be replaced. In general, a loose contact will result in overheating at that contact. Tightening a loose screw (in a switch or female plug) may alleviate this problem.

Aging cables may become progressively warmer. However, if the insulation becomes hot and begins to melt or crack, the cordset should be replaced.

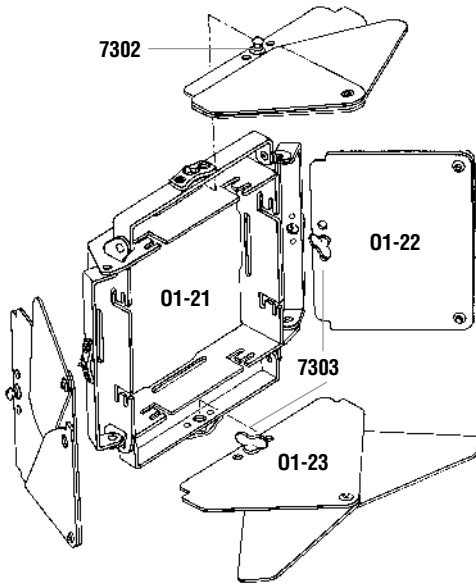
### Dimmers

120V dimmers may be used with all Lowel lights in conjunction with 120V tungsten lamps. They should not be used with Lowel fluorescent fixtures. (You cannot use a 120V dimmer to control a 30V or 12V lamp). Most electronic dimmers can cause the lamp filament to hum, and will lower the color temperature (making the light appear more yellow). Also, if a lamp is dimmed too low and the halogen cycle is interrupted, the lamp's quartz walls may blacken.

### 220/240 Volt

CE approved Lowel lights can be used at 220V or 240V. If a 240V lamp is available for a particular unit (such as the EMF for the Tota-light), choose the appropriate AC cable, either from this booklet or the full Lowel catalog. You can operate the light with 120V lamps from 220V or 240V sources (such as are found abroad) with a commonly available electrically approved converter, though with lowered color temperature.

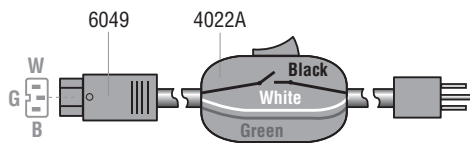
T/O Accessories



**Omni Barndoor (01-20)**

Floppy barndoors may be fortified by hammering the hinge rivets. Barndoor frames that fall off can be bowed in carefully.

|                      |       |
|----------------------|-------|
| Wing stud retainer   | 7302  |
| Wing stud            | 7303  |
| Barndoor frame       | 01-21 |
| Rectangular Barndoor | 01-22 |
| Triangular Barndoor  | 01-23 |



**Cables 16' 120V (T1-80)**

**T/O Eurocord 16' (5m) (T1-801)**

13 oz (369 g), 18/3 (.75 mm/3) w/double pole switch and Male CEE-7 plug.

**5' 30V Cable (01-81)**

The 30V female two-pin Amphenol type connector assembly number is 97009.

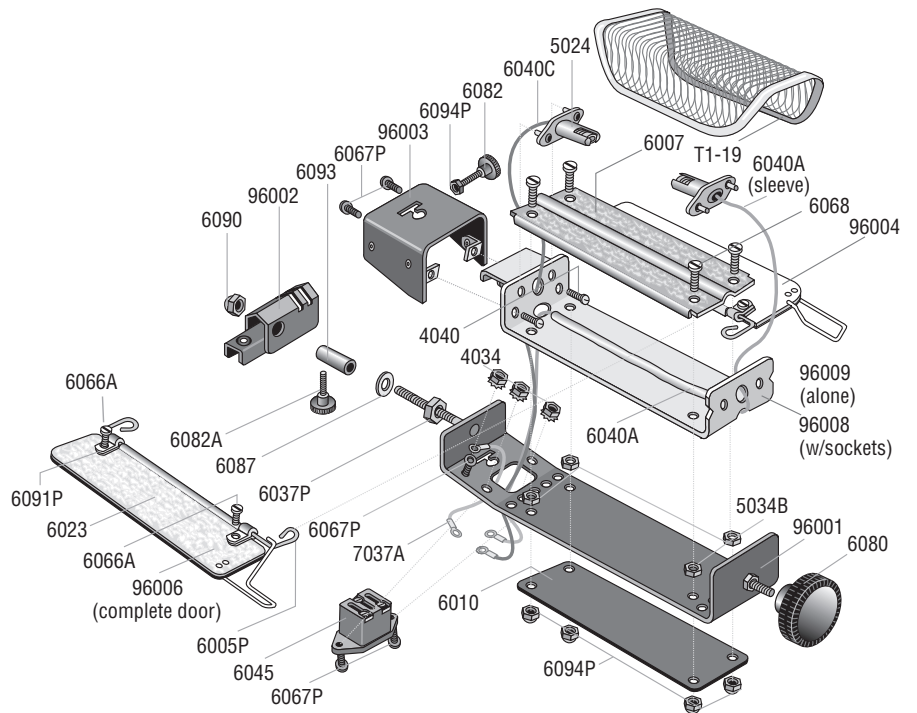
**Omni Accessories**

Omni accessories, such as dichroic or diffused glass, safety screen, scrim and umbrella, are not repairable.

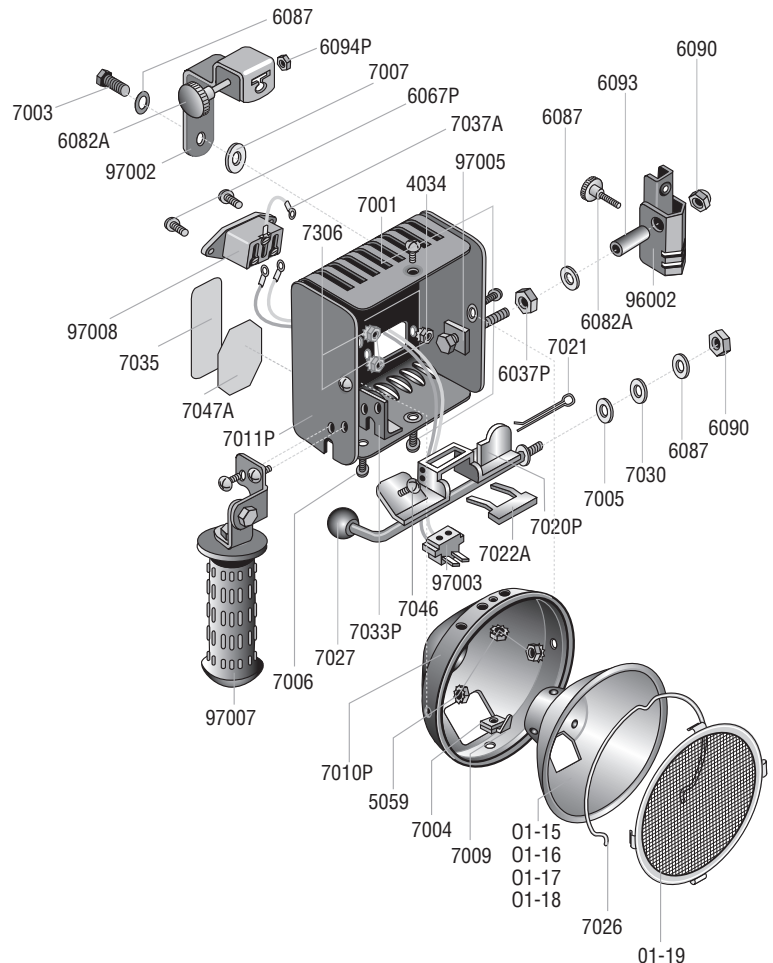
**Omni Reflectors**

|                    |       |
|--------------------|-------|
| #1—regular, silver | 01-15 |
| #2—12V, 30V use    | 01-16 |
| #3—superspot       | 01-17 |

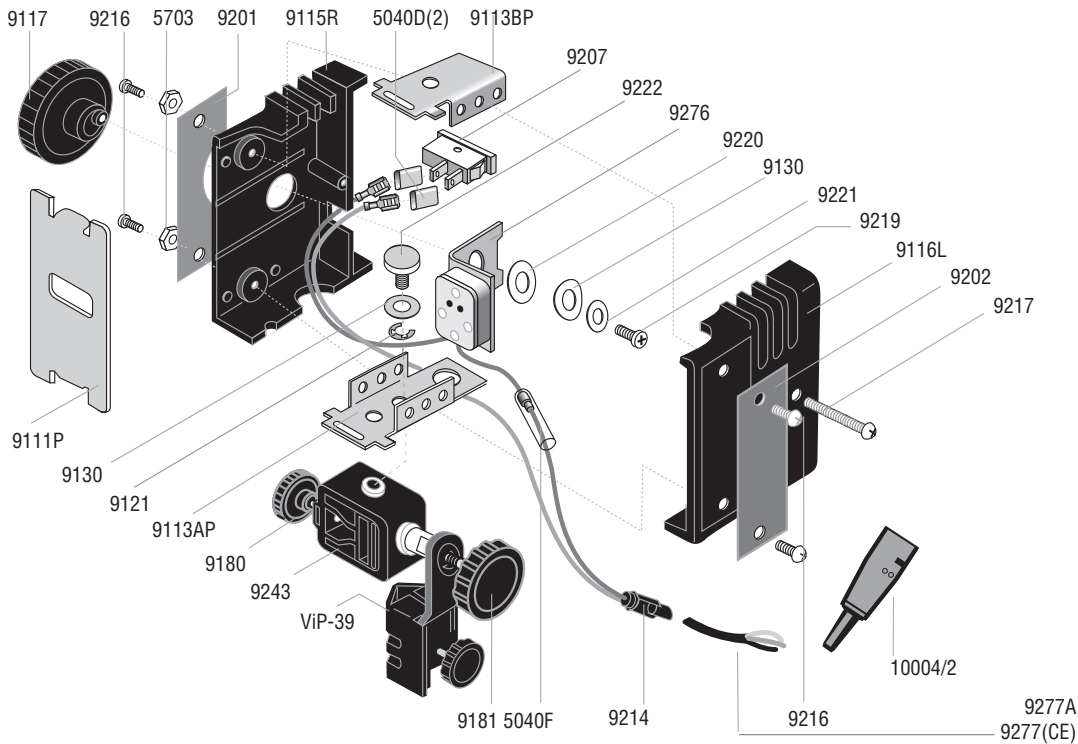
Tota-light (T1-10)



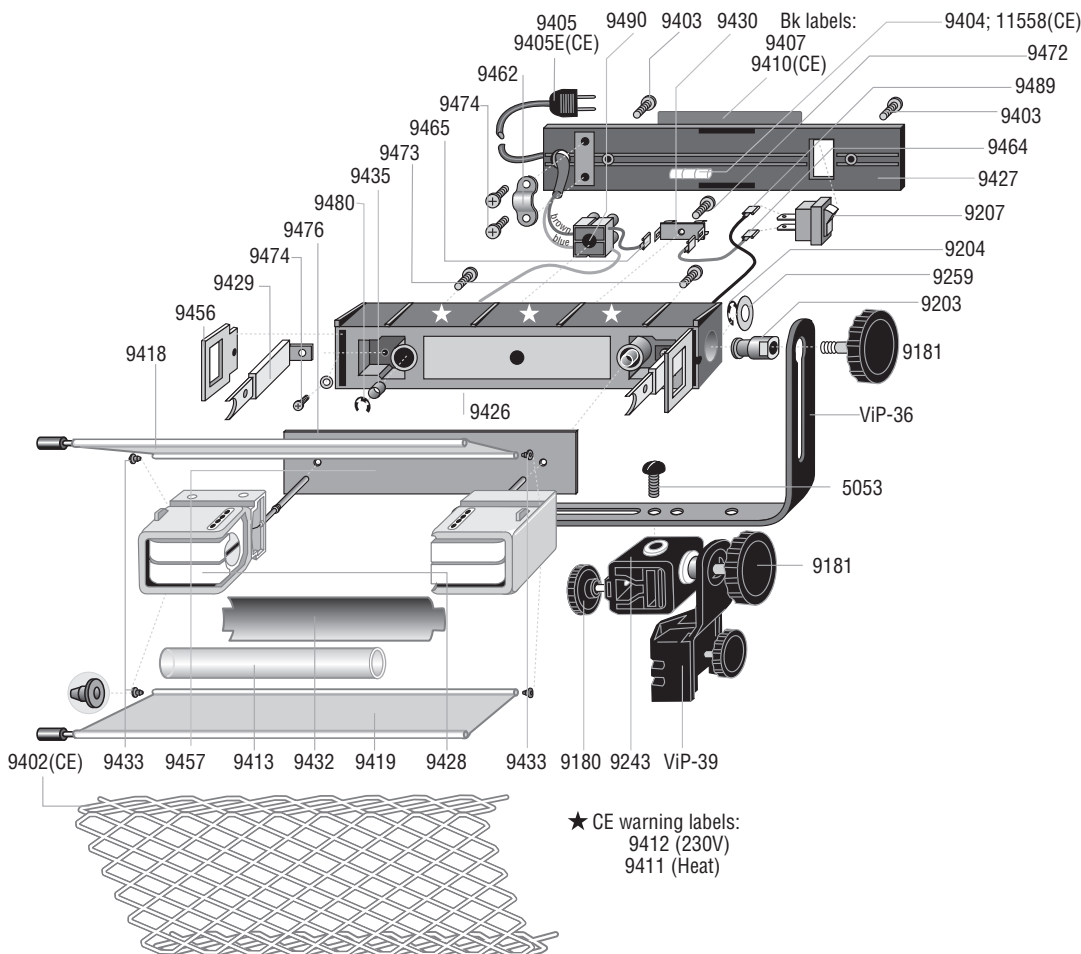
Omni-light (01-10)



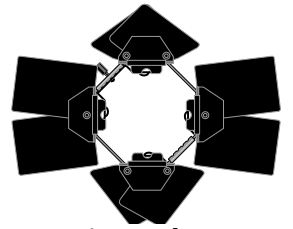
## Pro-light (P1-10)



## V-light (V1-10)



## ViP Accessories



### Pro & i Barndoor

Barndoors and barndoor frame are not repairable.

|                            |       |
|----------------------------|-------|
| Frame                      | iP-21 |
| Exp. rectangular leaf      | iP-22 |
| Triangular leaf            | iP-23 |
| Fixed leaf                 | iP-24 |
| Barndoor frame knob spring | 9135  |
| Locking angle              | 9137B |
| Lockwasher                 | 9148  |
| Spring                     | 9153R |
| Barndoor frame knob        | 9157  |



### Pro Adaptor Cables

Except as noted, all these products have a female 120V-type two blade connector for use with the Pro-light, and are one foot long.

|                              |       |
|------------------------------|-------|
| Extension cable (12', 3-pin) | P1-80 |
| 2-pin 30V cable (Amphenol)   | P1-81 |
| 4-pin XLR cable              | P1-82 |
| Cigarette lighter adaptor    | O1-82 |

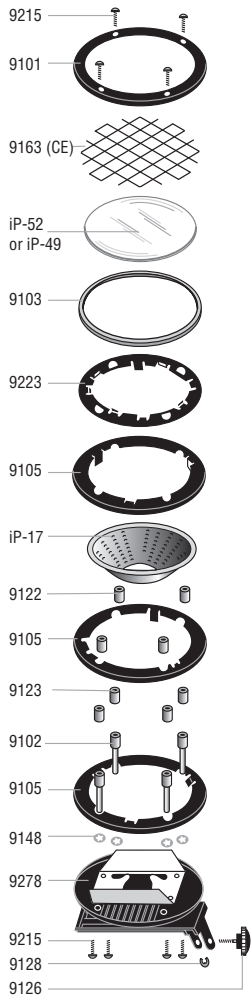


### i-light/id-light Cables and Connectors

i-light & id-light cables have to be wired in.

|                                  |      |
|----------------------------------|------|
| i & id-light cable (no plug)     | 9312 |
| i & id-light cable (w/cig plug)  | 9313 |
| i & id-light cable (w/4 pin XLR) | 9314 |
| i & id-light cable (Anton Bauer) | 9318 |
| 4 Pin XLR Connector              | i-82 |
| 5 Pin XLR Connector              | i-83 |
| BP-90 Type Connector             | i-84 |
| Cig. Lighter 10' Ext. Cable      | i-85 |
| Anton Bauer Tap Connector        | i-86 |

## i & Pro Front End (9161/2)



## ViP Accessories

### Flag Link (ViP-50)

|                      |       |
|----------------------|-------|
| Screw                | 9284  |
| Washer               | 4024  |
| Stamping w/flex lock | 9283P |

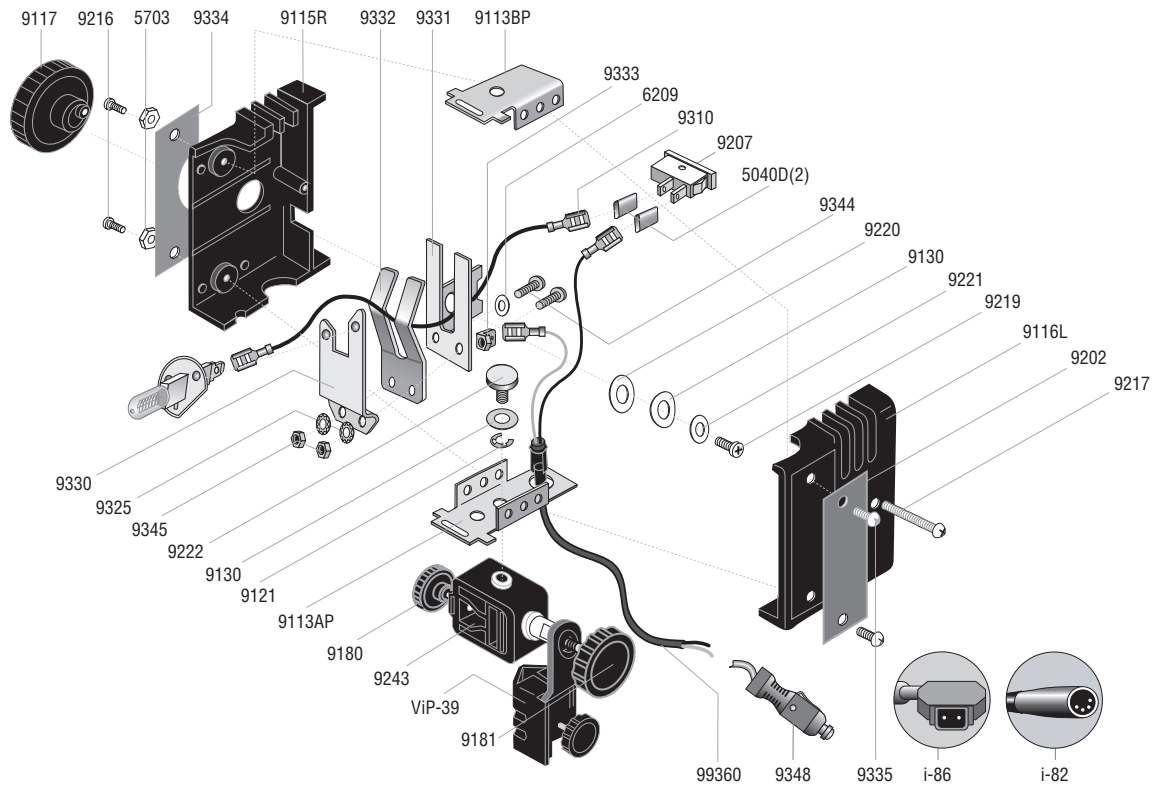
### Handle & Low-link (ViP-42), Handle & Stud-link (ViP-38)

|           |        |
|-----------|--------|
| Low-link  | ViP-37 |
| Knob      | 9181   |
| Stud-link | ViP-38 |

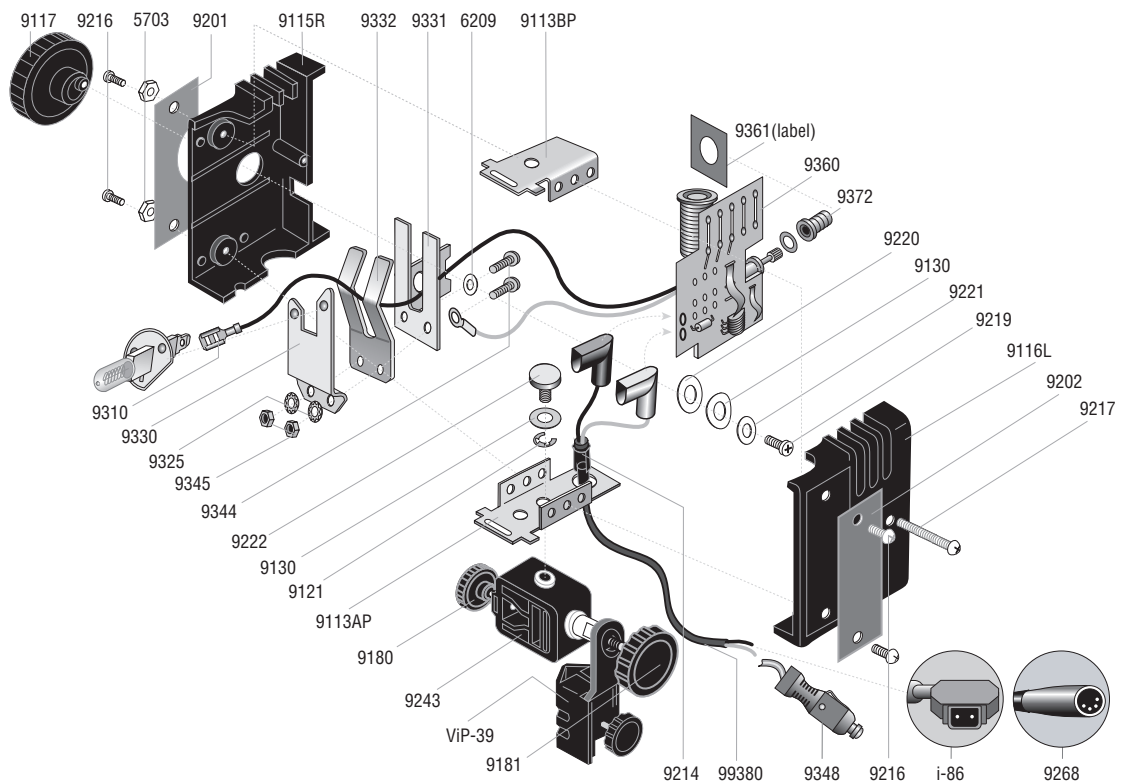
### These Products are not Repairable:

|                           |        |
|---------------------------|--------|
| Snoot                     | iP-53  |
| Swing-in accessory holder | iP-30  |
| Vipod                     | ViP-35 |

## i-light (i-10)



## id-light (id-10)



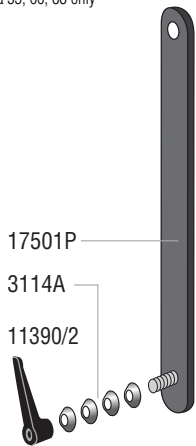
# Rifa-lite System

## Rifa Accessories

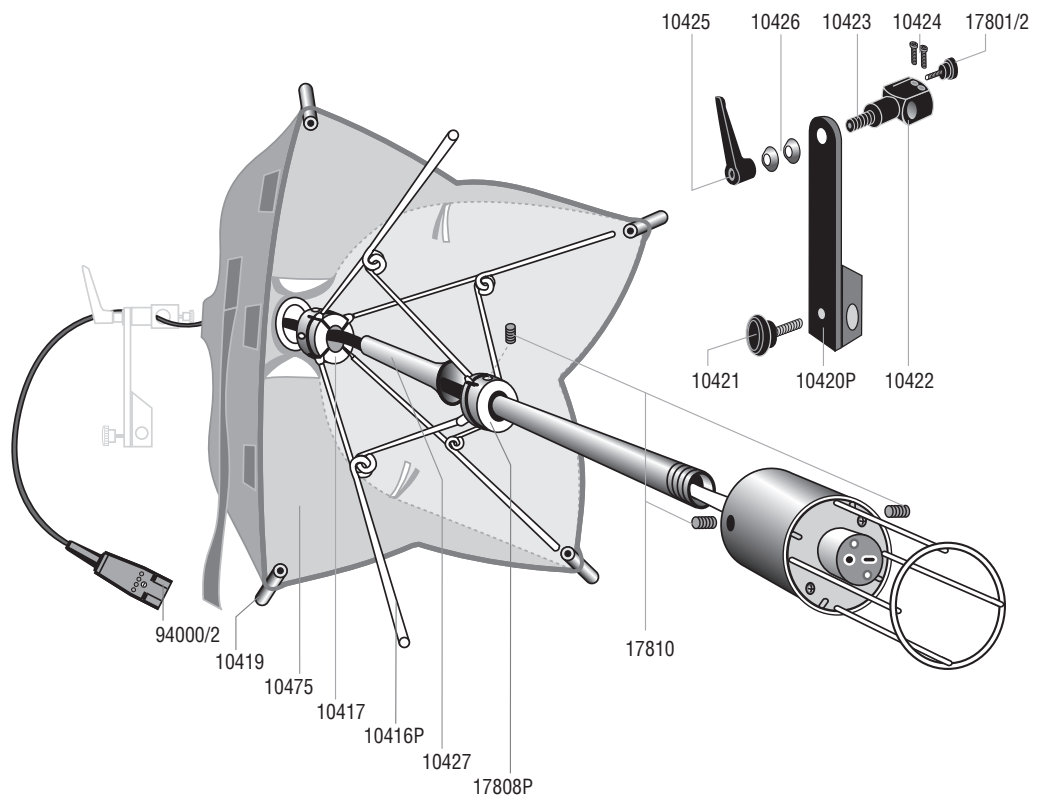
|                          |            |
|--------------------------|------------|
| Diffuser for LC-44       | LC-44D     |
| 30° Egg Crate for LC-44  | LC-44EC/30 |
| 40° Egg Crate for LC-44  | LC-44EC/40 |
| 50° Egg Crate for LC-44  | LC-88EC/50 |
| Diffuser for LC-55       | LC-55D     |
| 30° Egg Crate for LC-55  | LC-55EC/30 |
| 40° Egg Crate for LC-55  | LC-55EC/40 |
| 50° Egg Crate for LC-55  | LC-55EC/50 |
| Diffuser for LC-66       | LC-66D     |
| 30° Egg Crate for LC-66  | LC-66EC/30 |
| 40° Egg Crate for LC-66  | LC-66EC/40 |
| 50° Egg Crate for LC-66  | LC-55EC/50 |
| Diffuser for LC-88       | LC-88D     |
| 30° Egg Crate for LC-88  | LC-88EC/30 |
| 40° Egg Crate for LC-88  | LC-88EC/40 |
| 50° Egg Crate for LC-88  | LC-55EC/50 |
| Rifa Carry Bag for LC-44 | 10480      |
| Rifa Carry Bag for LC-55 | 10080      |
| Rifa Carry Bag for LC-66 | 10180      |
| Rifa Carry Bag for LC-88 | 10280      |

## Rifa Balance Bar (LC-30)

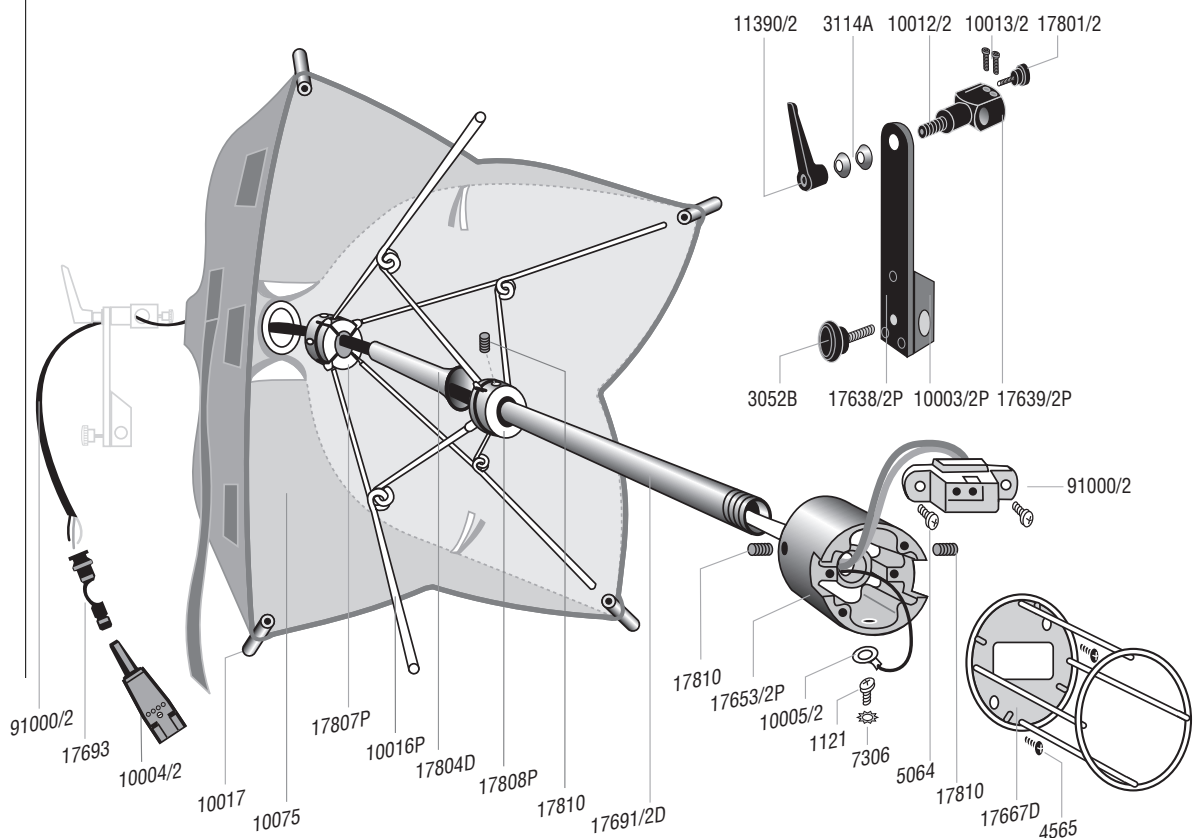
For Rifa 55, 66, 88 only



## Rifa-lite 44 (LC-44)

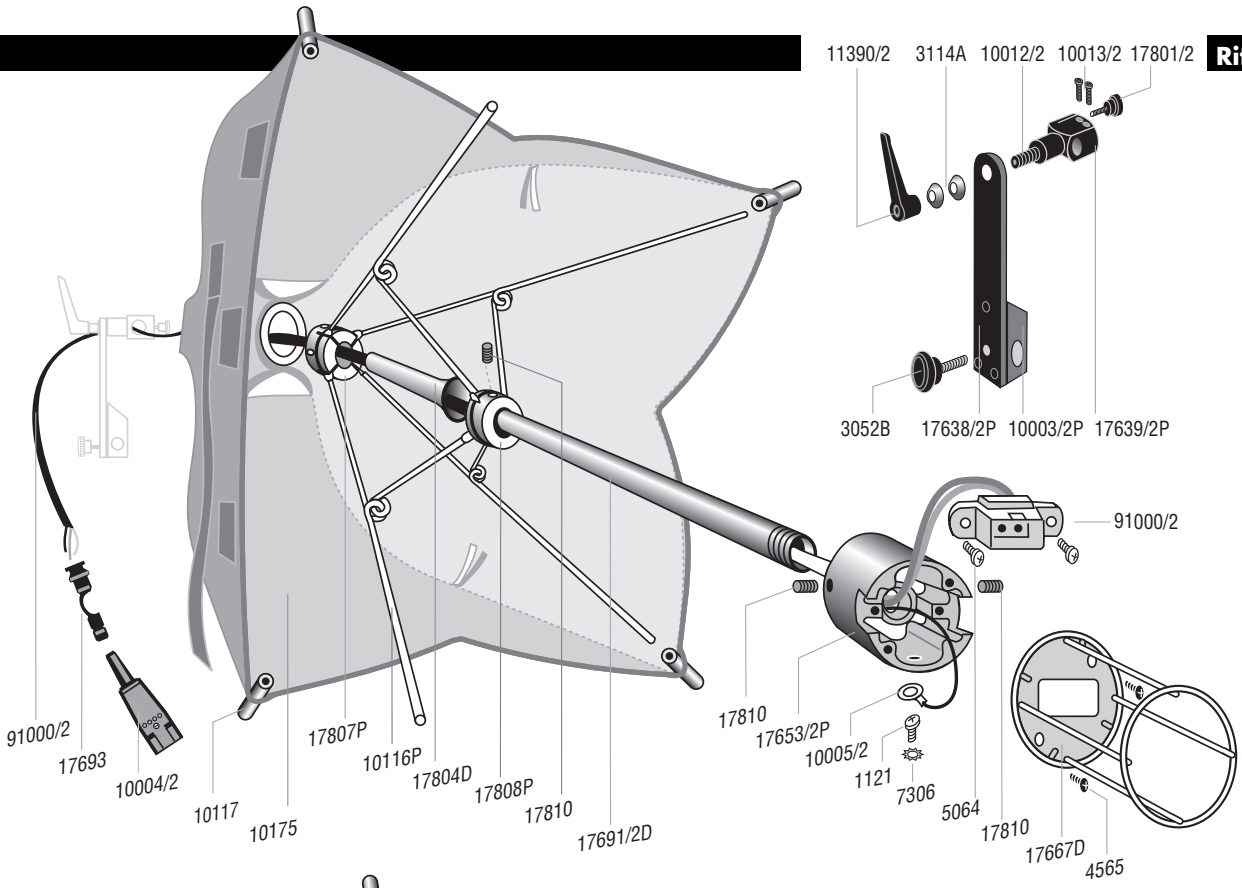


## Rifa-lite 55 (LC-55)

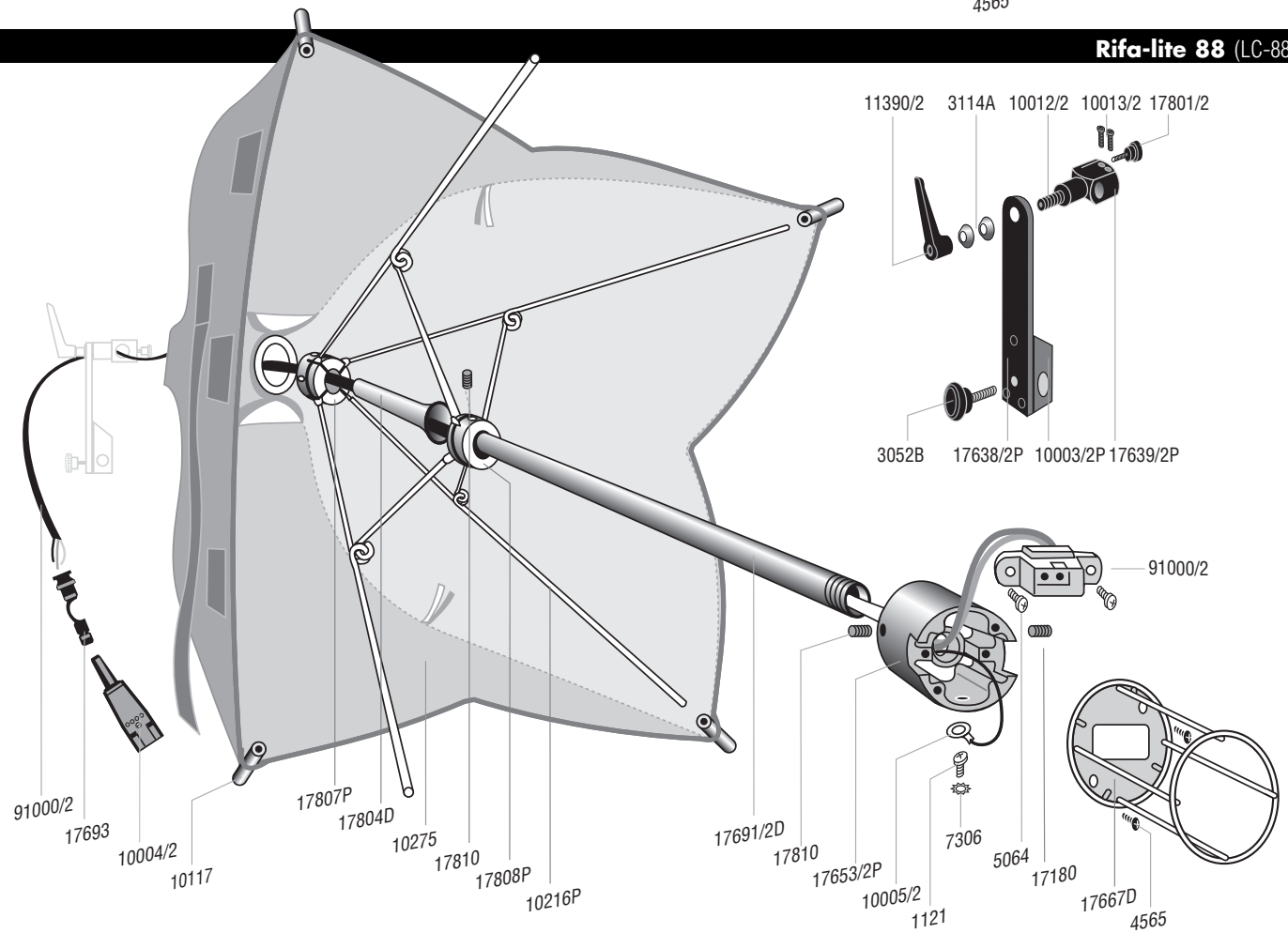




Rifa-lite 66 (LC-66)

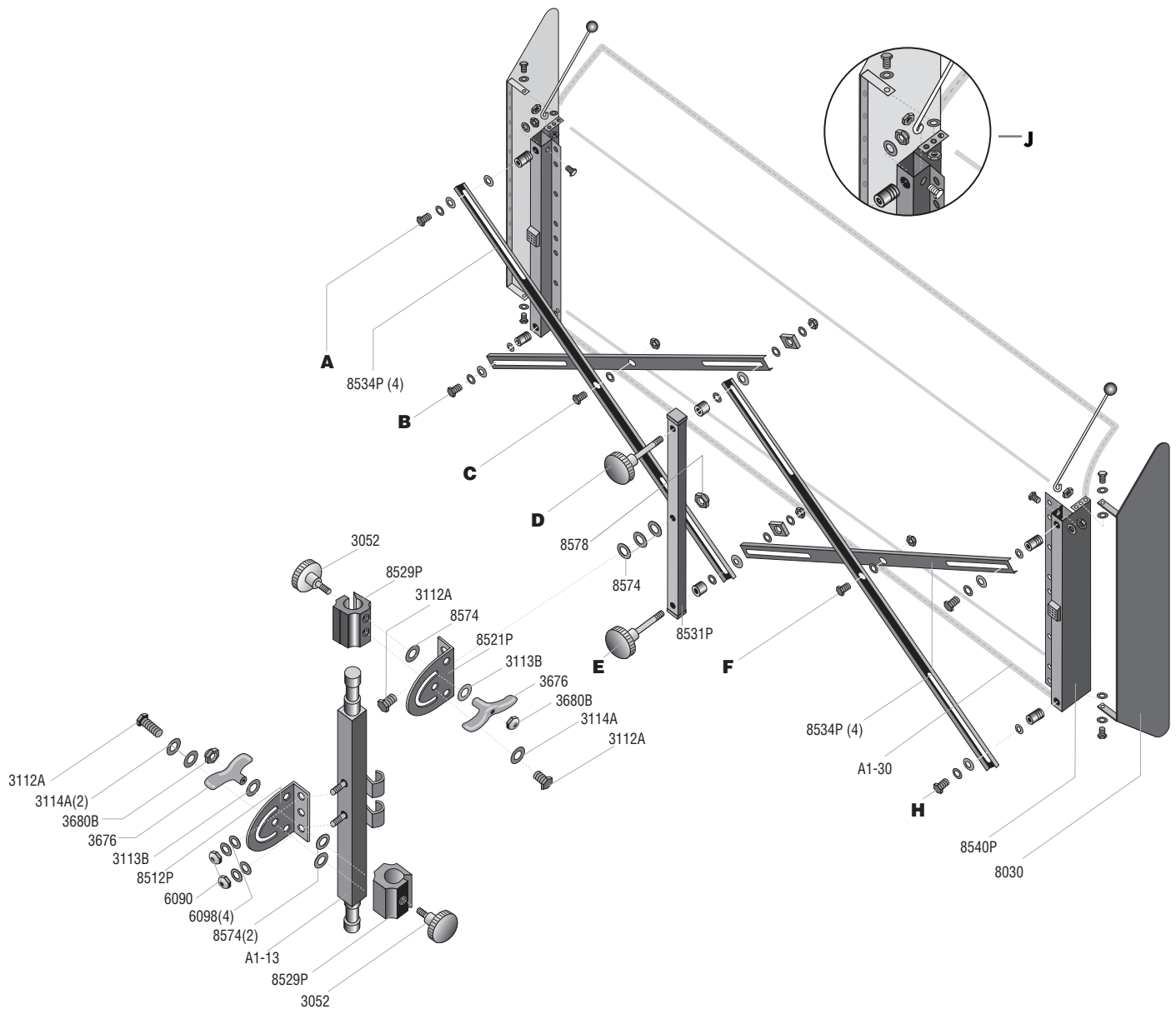


Rifa-lite 88 (LC-88)









### Light-Array Hardware Assembly Order

Lowel does not recommend out-of-factory repair of the electrical components in the Light-Array. If you should have trouble with your Light-Array, contact Lowel for repair information. If a qualified electrician chooses to fix the light, he or she does so at their own risk.

|                    |       |
|--------------------|-------|
| Label              | 8516  |
| Socket             | 8542  |
| Lamp clip          | 8543  |
| Channel wire cover | 8560A |

#### Starting from the back of the head

##### Points A & H

|                           |       |
|---------------------------|-------|
| 1. Bolt                   | 8579  |
| 2. Washer                 | 4024  |
| 3. Washer                 | 8584  |
| 4. X-frame channel        | 8534P |
| 5. Washer                 | 8584  |
| 6. Spacer C (two grooves) | 8593P |
| 7. Main channel           | 8540P |
| 8. Washer                 | 8584  |
| 9. Nut                    | 6090  |

##### Points B & G 1-5, 7, 9 as above

|                          |       |
|--------------------------|-------|
| 6. Spacer B (one groove) | 8592P |
| 9. Washer (2)            | 8584  |

##### Points C & F

|                    |       |
|--------------------|-------|
| 1. Bolt            | 8580  |
| 2. X-frame channel | 8534P |
| 3. Washer          | 3470  |
| 4. X-frame channel | 8534P |
| 5. Washer          | 6087  |
| 6. Nut             | 6090  |

##### Points D & E

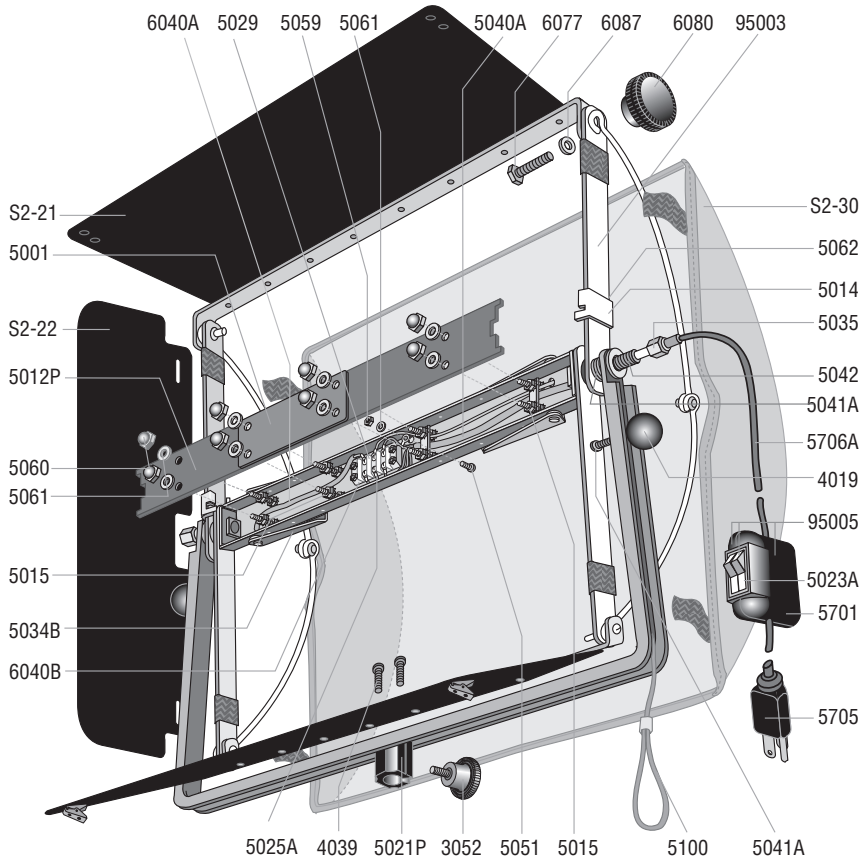
|                        |       |
|------------------------|-------|
| 1. Female knob         | 8533  |
| 2. Stud                | 8522  |
| 3. Cross bar           | 8531P |
| 4. Spacer A (no lines) | 8591P |
| 5. Washer              | 8584  |
| 6. X-frame channel     | 8534P |
| 7. Washer              | 8576  |
| 8. X-frame channel     | 8534P |
| 9. Washer              | 8584  |
| 10. Washer             | 4024  |
| 11. Square nut         | 8537B |
| 12. Washer             | 4024  |
| 13. Nut                | 6090  |

##### Point F — see C, Point G — see B, Point H — see A, Point J

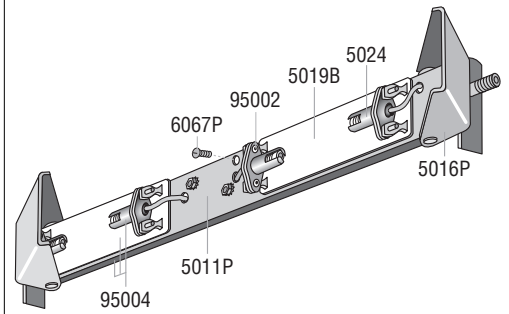
|                 |       |
|-----------------|-------|
| 1. Bolt         | 8575  |
| 2. Main channel | 8540P |
| 3. Washer       | 6098  |
| 4. Tilt wire    | 8590  |
| 5. Washer       | 6098  |
| 6. Nut          | 7305  |

# Softlight 2 & Lowel-light & L-light Systems

## Softlight 2 (01-10)



## Softlight 2 Sockets



### Softlight Cases

Cases should be sent to Lowel for other repairs.

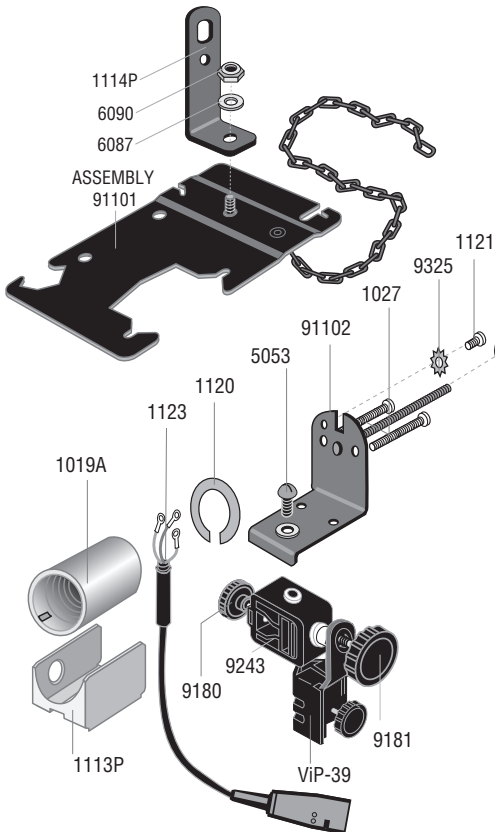
### Multi and Softlight Cases

All case replacement handles 3877

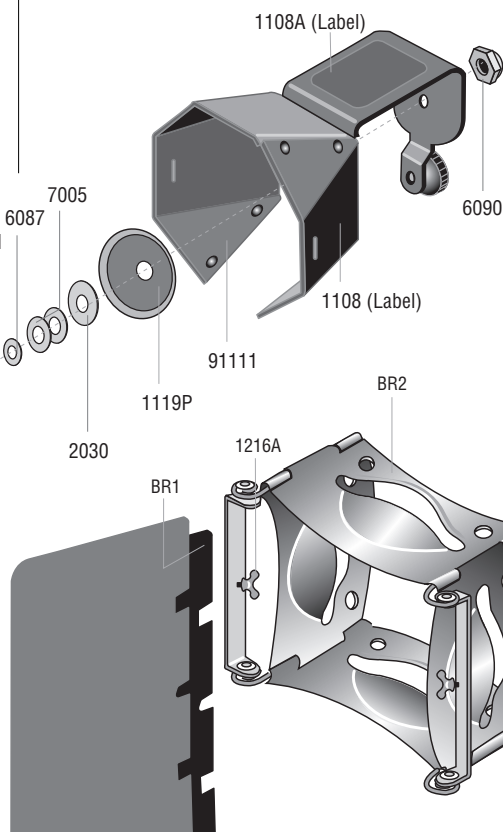
### Softlight 2

The Softlight 2 is now 1500W max.

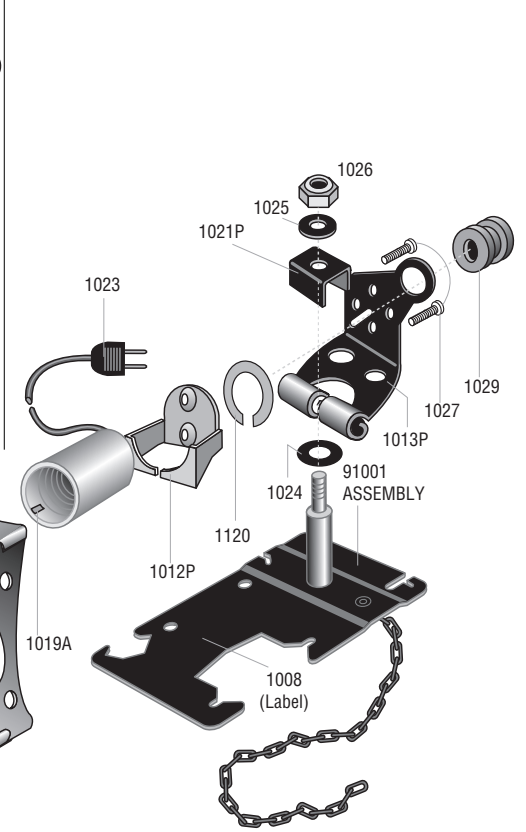
## L-light Home-plate (L1-32)



## L-light (L1-10)



## Lowel-light (LL-1)

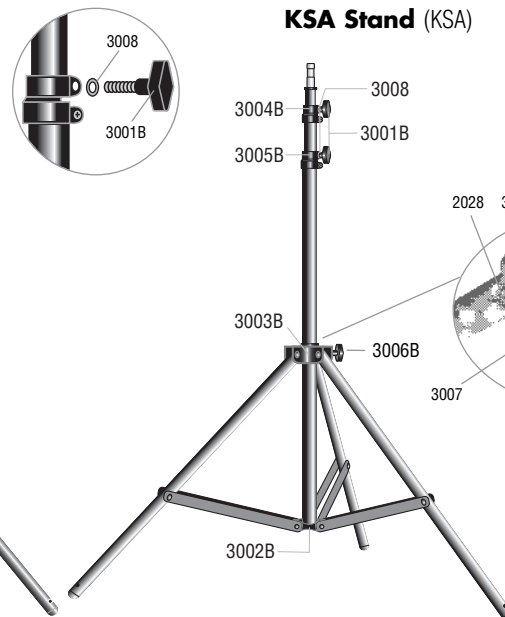


## Stands, Poles &

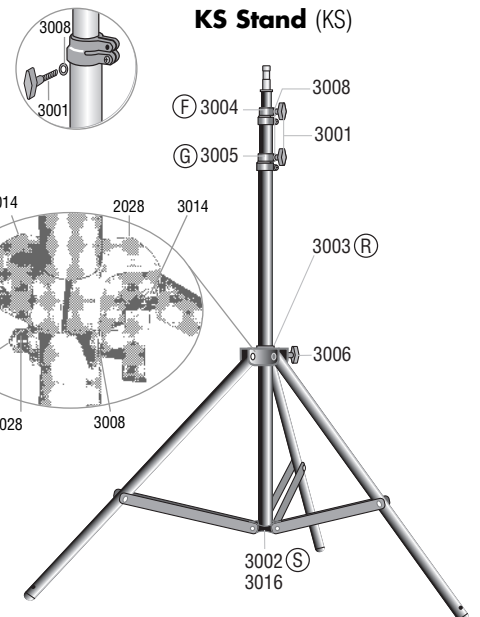
### Grand Stand (GSA)



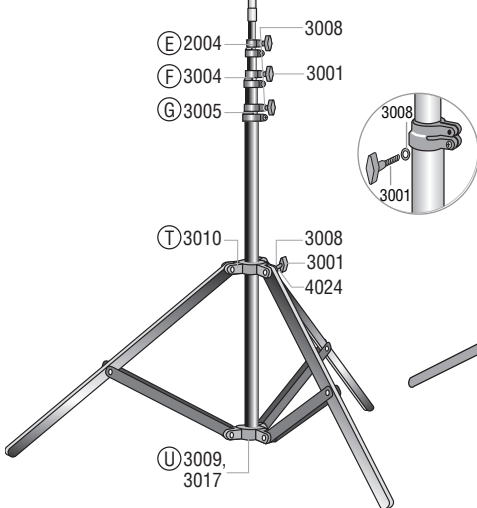
### KSA Stand (KSA)



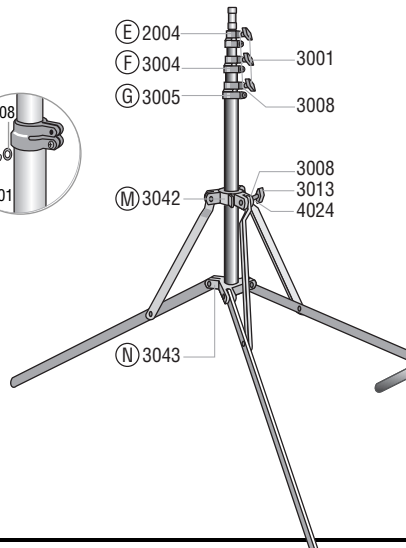
### KS Stand (KS)



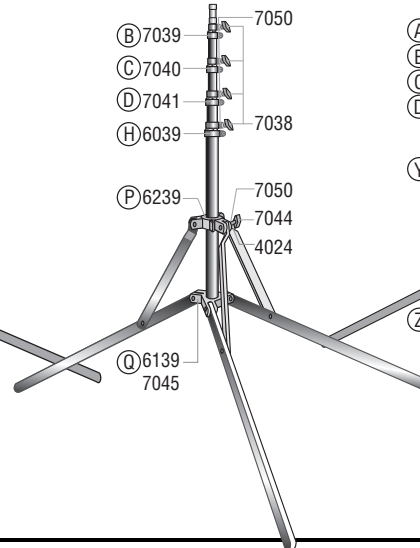
### KS Jr Stand (KSJR)



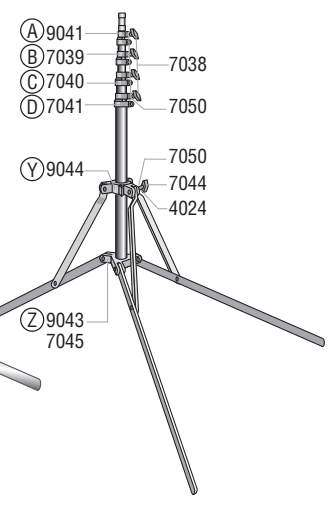
### Uni Sr. Stand (UN-66)



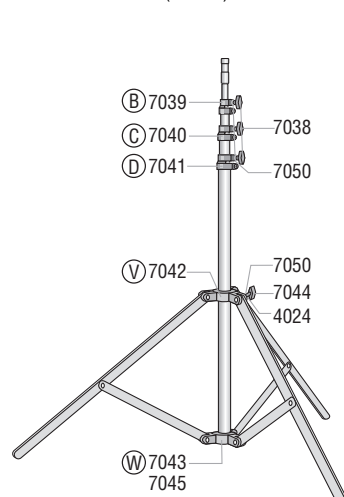
### Uni TO Stand (UN-33)



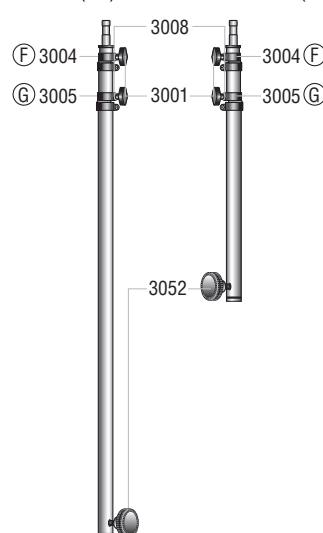
### Uni-stand (UN-33)



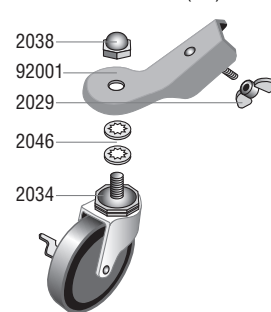
### Omni Stand (01-33)



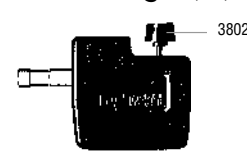
### Full Pole (KP) and Half Pole (KPH)



### Lowel Caster (LC)



### Lowel Weight (LW)

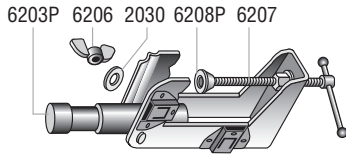


### NOTES:

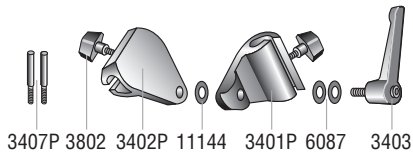
- 1.** Since mid-2000, most riser castings & leg castings on stands have been marked alphabetically to reduce confusion. When ordering, give both the listed part number and the letter as shown on the part.
- 2.** The Full Pole (KP) & Half Pole (KPH) have been updated to a 2 riser (3 section) model (as shown).
- 3.** The ViP Stand has been discontinued. Replacement knobs may still be ordered. The part number is 9266.

## Clamps & Mounts

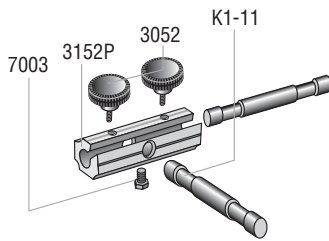
### Tota-clamp (T1-30)



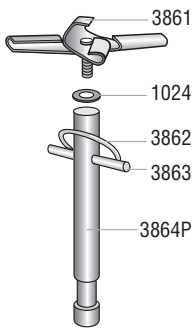
### Missing Link (ML-10)



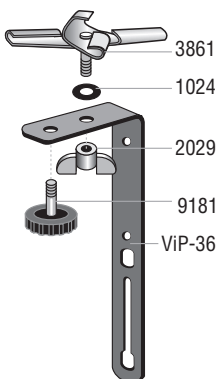
### Interlink (K1-10)



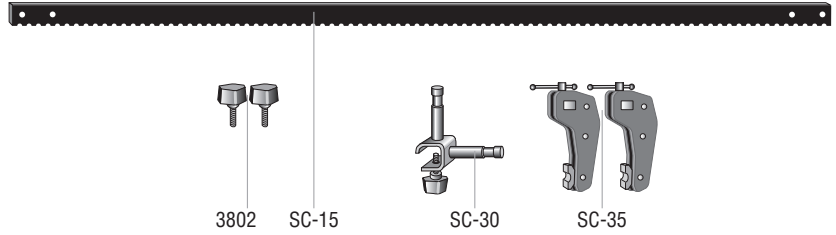
### Scissor mount (CM-20)



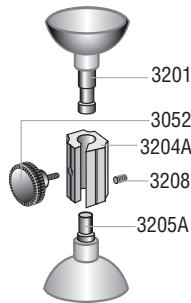
### Gridlock (CM-21)



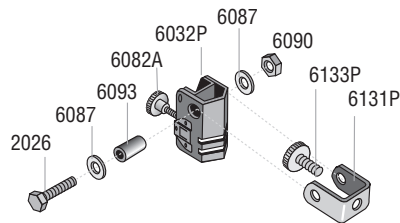
### Space Clamp (SC-10)



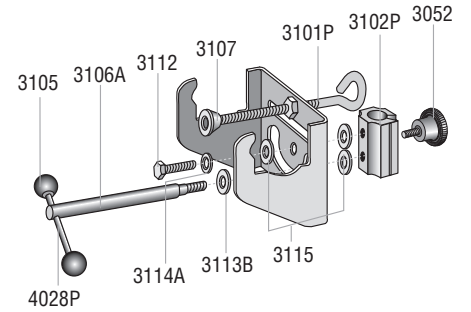
### Ceiling Link (KCL)



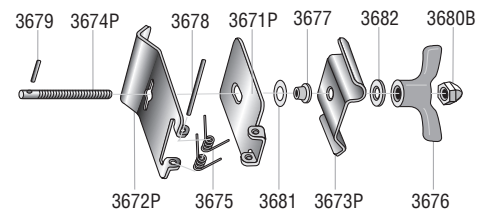
### Tota-tilter (T1-36)



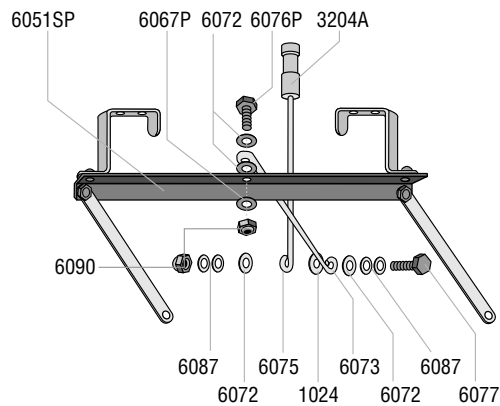
### Grip (KG)



### Lobo (F1-30)

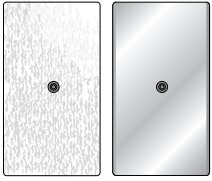


### Tota-mount (T1-32)



**Lobo Arm (F1-40)**  
The Lobo arm is not repairable.

### Lightflector (LFT)



Check with Lowel.  
See also Tota-tilter.

### Tota-flag (T1-52)



### Tota-flector (T1-54)



The Tota-flag and Tota-flector are not repairable.

### Brellas

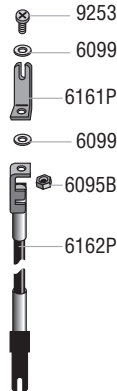
Brellas are not repairable.



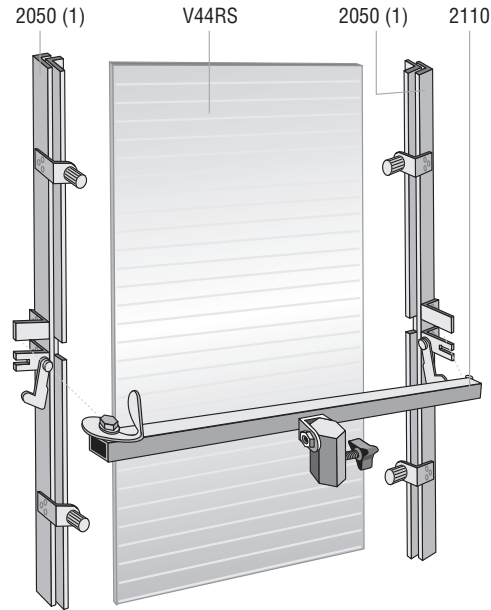
|                                  |      |
|----------------------------------|------|
| Tota Brella-cover plastic sleeve | 6751 |
| DP Brella-cover plastic sleeve   | 6753 |

### Flexi-shaft (T1-50)

The fixed end is not repairable.

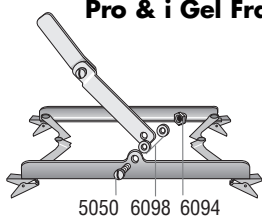


### Variflector (V44A)

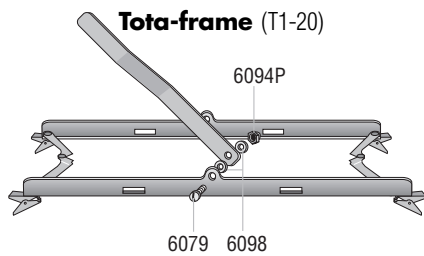


## Gel Holders & Flags

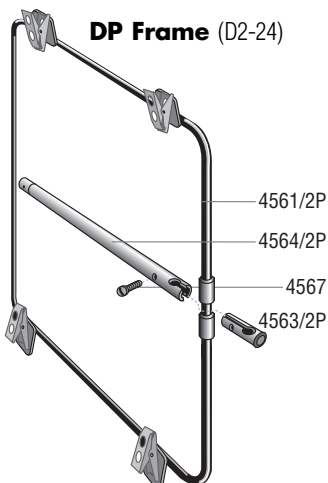
### Pro & i Gel Frame (iP-40)



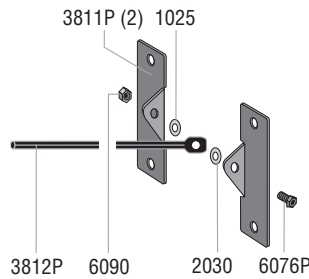
### Tota-frame (T1-20)



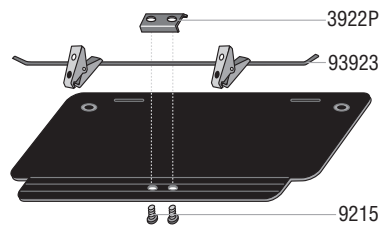
### DP Frame (D2-24)



### Maxamount (CM-10)



### Tota-shade (T1-21)



## Other Repairs

Contact us for more information on the following Lowel products:

- Lowel Fluo-Tec studio fluorescent
- e-studio fluorescent
- LowelScandles fluorescent
- Caselite fluorescent
- Lowel Ego
- Lowel Hard & Soft Cases





## Warranty

### Limited Warranty

Lowel-Light Manufacturing, Inc. ("Lowel") warrants that its products (other than those products which by their nature are consumed), under normal use in accordance with operating instructions, will perform to the specifications published by Lowel at the time of purchase, for the following periods, from the date of purchase by the consumer:

#### Five Years

with respect to stands and poles;

#### Two Years

with respect to lighting fixtures only;

#### One Year

with respect to all other products (other than those which by their nature are consumed).

Lowel warrants that its products which by their nature are consumed, such as gels and gaffer tape, under normal use in accordance with instructions for use, will perform to the specifications published by Lowel at the time of purchase.

In the event of a defect reported by the consumer within the applicable time period, if any, Lowel will, at its option, replace or repair the defective merchandise at no charge to the consumer for either parts or labor.

The consumer should be aware that Lowel does not manufacture lamps and therefore makes no warranty with respect to these products. However, the warranty of the manufacturer of such products, if any, shall be assigned to the consumer if permitted by such manufacturer.

### Repairs and Replacement Parts

If Lowel shall, upon the request of the consumer, install, alter, modify, or repair any Lowel product, or component thereof, then Lowel shall warrant such product or component from the date of such installation, alteration, modification, or repair, in accordance with the specifications published by Lowel at such date, for the applicable time period, if any, for such product or component, and under the conditions, limitations, and procedures set forth in this warranty. Lowel will not be responsible for any loss, damage or expense of any kind resulting from the installation, alteration, modification or repair of any Lowel product by any entity other than Lowel.

### Procedure

In order to make a claim under the above warranty, the consumer must, within the applicable time period, if any, bring or send, postage paid, the defective product and proof of purchase (or, if applicable, proof of installation, alteration, modification, or repair by Lowel) to the consumer's Lowel dealer or to the Lowel Factory at 140 58th Street Brooklyn, NY 11220-2552.

### Warranty Exclusion

THIS WARRANTY IS THE ONLY WARRANTY MADE BY LOWEL WITH RESPECT TO LOWEL PRODUCTS AND LOWEL DISCLAIMS ALL WARRANTIES OF MERCHANTABILITY AND FITNESS FOR A PARTICULAR PURPOSE AND ANY LIABILITY WITH RESPECT TO SAME WHETHER IN CONTRACT, TORT OR OTHERWISE. IN NO EVENT SHALL LOWEL BE LIABLE FOR LOST PROFITS, OR ANY CONSEQUENTIAL DAMAGES INCURRED BY THE CONSUMER.

Some states do not allow limitations on how long an implied warranty lasts, and some states do not allow the exclusion or limitation of incidental consequential damages, so the above limitation may not apply to you.

### General

This warranty gives you specific legal rights, and you may also have other rights which vary from state to state.

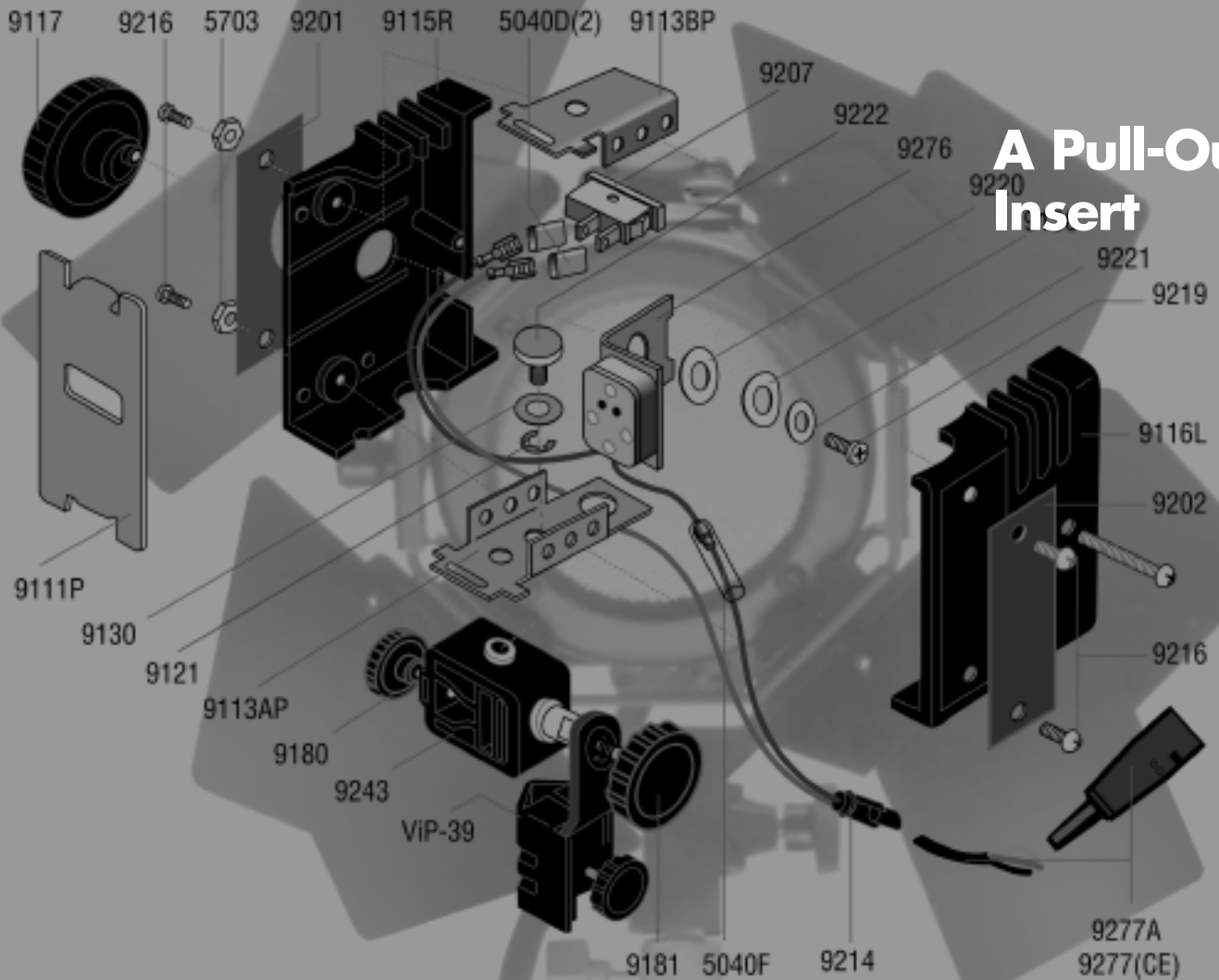
## Trademarks

The Lowel-Light Mfg.Inc. signature and logo, as well as the following, are trademarks of Lowel-Light Manufacturing, Inc.: Lowel Omni-system, Lowel Omni-light, Lowel Tota-system®, Tota-light®, Lowel DP Light, Lowel Softlight 2, Lightflector, Variflector II, Frame-up and Lobo, Lowel Light-Array, Lowel ViP System, Lowel Pro-light, Lowel i-light, Lowel V-light, LowelDimmer, Caselite, LowelScandles, GO Kits, Missing-Link, and Fren-L 650; Lowel Gel File, Lowel Rifa-lite®, Tota-shade, Fin-S, Litebags, Core Kits, and Gel-jawz, Uni-stand, Uni Sr. Stand. This is only a partial list. It does not include all trademarks currently owned.



# Lowel Parts Booklet Price List

## A Pull-Out Insert



# Parts



| Code        | Description                                    | List US\$ | Code        | Description                | List US\$ | Code         | Description               | List US\$ | Code        | Description                             | List US\$ | Code        | Description                            | List US\$ |
|-------------|--|-----------|-------------|----------------------------|-----------|--------------|---------------------------|-----------|-------------|---|-----------|-------------|--|-----------|
| 1008        | Lowel-light label                              | 2.35      | 3052        | Knob                       | 1.16      | 5014         | Strut lock                | 3.50      | 6139        | Castling [Q]                            | 4.35      | 8578        | Lock nut                               | 0.30      |
| 1012P       | Socket support                                 | 12.98     | 3052B       | Knob                       | 1.16      | 5015         | Strain relief             | 0.60      | 6161P       | Pivot blade                             | 1.22      | 8579        | Bolt                                   | 0.16      |
| 1013P       | Socket swivel                                  | 7.95      | 3101P       | Lock bolt                  | 2.45      | 5016P        | Lamp cover                | 6.75      | 6162P       | Pivot base                              | 1.45      | 8580        | Bolt                                   | 0.25      |
| 1019A       | Socket   | 5.65      | 3102P       | Stand-fitting              | 6.50      | 5019B        | Reflector                 | 3.75      | 6203P       | Clamp stud                              | 3.75      | 8584        | Washer                                 | 0.09      |
| 1021P       | "U" bracket                                    | 1.75      | 3105        | Knob                       | 0.65      | 5021P        | Knob                      | 6.25      | 6206        | Wing nut                                | 0.25      | 8590        | Tilt wire                              | 1.05      |
| 1023        | Cord set                                       | 6.50      | 3106A       | Link bolt                  | 4.50      | 5023A        | Switch insert             | 13.75     | 6207        | Clamp screw                             | 2.10      | 8591P       | Spacer A                               | 1.58      |
| 1024        | Washer   | 0.12      | 3107        | Swivel                     | 3.50      | 5024         | Socket with lead          | 7.56      | 6208P       | Swivel                                  | 1.75      | 8592P       | Spacer B                               | 1.76      |
| 1025        | Washer   | 0.16      | 3112        | Bolt                       | 0.50      | 5025A        | Insulation 13"            | 3.91      | 6209        | Washer                                  | 0.03      | 8593P       | Spacer C                               | 1.85      |
| 1026        | Lock nut                                       | 0.16      | 3113B       | Washer                     | 0.35      | 5029         | Terminal block            | 3.10      | 6239        | Castling [P]                            | 7.45      | <b>9041</b> | Upper riser casting [A]                | 5.50      |
| 1027        | Socket screw                                   | 0.04      | 3114A       | Washer                     | 0.15      | 5034B        | Spacer nuts               | 0.08      | 6751        | Tota-brella cover                       | 3.00      | 9043        | Lower leg casting [Z]<br>w/ knob 7038  | 4.75      |
| 1029        | Grommet  | 0.50      | 3115        | Washer                     | 0.12      | 5035         | Lock nut                  | 0.65      | 6753        | DP-brella cover                         | 3.50      | 9044        | Upper leg casting [Y]<br>w/knob 7044   | 8.00      |
| 1108        | L-light label                                  | 1.75      | 3152P       | Center stand-fitting       | 9.25      | 5040A        | Insulation 10 1/2"        | 0.31      | <b>7001</b> | Screw                                   | 0.07      | 9101        | Front plate                            | 2.50      |
| 1108A       | L-light warning label                          | 1.86      | 3201        | Suction cup                | 3.75      | 5040D        | Sleeve                    | 0.05      | 7003        | Cap screw                               | 0.10      | 9102        | Spacer                                 | 2.40      |
| 1113P       | Socket support                                 | 9.35      | 3204A       | 5/8" stud                  | 2.25      | 5040F        | Sleeving 2 1/4"           | 0.05      | 7004        | Tension nut                             | 0.17      | 9103        | Pro / i spacer ring                    | 3.84      |
| 1114P       | M link   | 2.35      | 3205A       | Short stud                 | 2.15      | 5041A        | Spring washer             | 0.65      | 7005        | Washer                                  | 0.11      | 9105        | Spacer plate                           | 2.50      |
| 1119P       | Washer   | 1.75      | 3208        | Set screw                  | 0.16      | 5042         | Washer                    | 0.20      | 7006        | Screw                                   | 0.07      | 9111P       | Housing cover plate                    | 1.05      |
| 1120        | Socket spacer                                  | 2.40      | 3401P       | Right side                 | 23.65     | 5045A        | Washer                    | 0.22      | 7007        | Washer                                  | 0.20      | 9113AP      | Long retainer                          | 2.10      |
| 1121        | Screw  | 0.12      | 3402P       | Left Side                  | 23.27     | 5045C        | Washer                    | 0.05      | 7009        | Reflector index tab                     | 1.25      | 9113BP      | Short retainer                         | 2.15      |
| 1123        | Cord set                                       | 13.50     | 3403        | M.Link Handle              | 8.24      | 5050         | Screw                     | 0.05      | 7010P       | Inner housing                           | 21.75     | 9115R       | Right rear housing                     | 5.75      |
| 1130P       | Baffle Assembly                                | 14.79     | 3407P       | Screw                      | 2.44      | 5051         | Screw                     | 0.05      | 7011P       | Outer housing (w/o labels)              | 23.50     | 9116L       | Left rear housing                      | 5.75      |
| 1216A       | Wing nut                                       | 0.12      | 3470        | Spring washer              | 0.13      | 5052         | Screw                     | 0.05      | 7020P       | Focus shaft assembly                    | 7.25      | 9117        | Focusing knob                          | 3.65      |
| <b>2004</b> | Upper riser casting, blk [E]<br>w/ knob 3001BL | 7.50      | 3671P       | Clamp half                 | 6.50      | 5053         | Screw                     | 0.09      | 7021        | Socket support pin                      | 0.05      | 9121        | Retaining ring                         | 0.05      |
| 2005        | Leg washer                                     | 0.75      | 3672P       | Clamp half                 | 6.50      | 5059         | Nut                       | 0.07      | 7022A       | Socket retainer                         | 1.43      | 9122        | Spacer                                 | 0.25      |
| 2006B       | Upper collar GS                                | 4.50      | 3673P       | Accessory Clamp            | 2.75      | 5060         | Cap nut                   | 0.10      | 7026        | Reflector retaining spring              | 1.72      | 9123        | Spacer                                 | 0.25      |
| 2007B       | Second collar GS                               | 4.90      | 3674P       | Pivot bolt                 | 1.50      | 5061         | Lock washer               | 0.05      | 7027        | Knob                                    | 1.25      | 9126        | Lock release knob                      | 2.25      |
| 2008B       | Collar knob GS                                 | 3.60      | 3675        | Torsion spring             | 0.61      | 5062         | Strut lock spring         | 1.75      | 7030        | Washer                                  | 1.19      | 9128        | Clip for knob 9126                     | 0.08      |
| 2015        | Leg knob                                       | 3.60      | 3676        | Knob                       | 1.25      | 5064         | Screw                     | 0.10      | 7033P       | Bracket nut plate                       | 1.50      | 9130        | Bowed washer                           | 0.54      |
| 2016        | Upper casting GS                               | 6.75      | 3677        | Eyelet                     | 0.12      | 5100         | Cable tie complete        | 2.70      | 7035        | Connector shield tape                   | 0.41      | 9135        | Barndoor frame knob spring             | 0.21      |
| 2017        | Lower casting GS                               | 7.70      | 3678        | Spiral pin                 | 0.18      | 5701         | Switch housing half       | 2.45      | 7037A       | Ground lead                             | 0.95      | 9137B       | Locking angle                          | 0.51      |
| 2018B       | Castling knob GS                               | 3.60      | 3679        | Spiral pin                 | 0.15      | 5703         | Nut                       | 0.13      | 7038        | Male knob                               | 2.25      | 9148        | Lockwasher                             | 0.09      |
| 2026        | Bolt   | 0.45      | 3680B       | Lock Nut                   | 0.25      | 5704         | Butt splice               | 0.20      | 7039        | Upper riser casting [B]<br>w/knob 7038  | 5.50      | 9153R       | Spring                                 | 2.90      |
| 2028        | Stop Nut                                       | 0.12      | 3681        | Bowed washer               | 0.25      | 5705         | Lower cord set            | 16.75     | 7040        | Middle riser casting [C]<br>w/knob 7038 | 5.50      | 9157        | Barndoor frame knob                    | 1.22      |
| 2029        | Wing nut                                       | 0.60      | 3682        | Nylon washer               | 0.25      | 5706A        | Upper cord set            | 28.75     | 7041        | Lower riser casting [D]<br>w/knob 7038  | 5.50      | 9163        | Safety screen for CE version           | 1.58      |
| 2030        | Washer   | 0.05      | 3802        | Knob                       | 0.80      | 5708         | Switch jumper             | 0.50      | 7042        | Upper leg casting [V]<br>w/knob 7044    | 7.25      | 9180        | Knob (small)                           | 1.30      |
| 2034        | Caster   | 15.25     | 3811P       | Mounting plate             | 6.00      | <b>6005P</b> | Pivot rod                 | 1.50      | 7043        | Lower leg casting [W]                   | 4.50      | 9181        | Knob (large)                           | 1.58      |
| 2038        | Cap nut  | 0.20      | 3812P       | Rod                        | 10.50     | 6007         | Center reflector          | 4.10      | 7044        | Lower knob                              | 2.25      | 9201        | Pro focus label (right side)           | 1.56      |
| 2046        | Lockwasher                                     | 0.07      | 3861        | Scissor clip               | 2.75      | 6010         | Tota label                | 1.75      | 7045        | Screw                                   | 0.05      | 9202        | Pro warning label (left side)          | 1.15      |
| 2050        | Variflector Side Channels                      | 225.00    | 3862        | Safety ring                | 0.35      | 6023         | Door reflector            | 4.37      | 7046        | Baffle adjusting screw                  | 0.10      | 9203        | Bushing                                | 1.05      |
| 2110        | Crossbar                                       | 55.00     | 3863        | Groove pin                 | 0.55      | 6032P        | Tilter Stand Fitting      | 15.00     | 7047A       | Receptacle shield                       | 0.40      | 9204        | Retaining ring                         | 0.12      |
| <b>3001</b> | Male knob                                      | 2.75      | 3864P       | Scissor stud               | 5.75      | 6037P        | Nut                       | 0.09      | 7049        | Ring terminal                           | 0.12      | 9207        | Switch                                 | 2.15      |
| 3001B       | KSA knob in black                              | 2.96      | 3922P       | Clamp                      | 2.57      | 6039         | Collar [H]                | 5.75      | 7050        | Washer                                  | 0.10      | 9214        | Pro-light strain relief                | 0.10      |
| 3002        | Lower leg casting [S]                          | 6.75      | <b>4005</b> | Spring                     | 0.32      | 6040A        | Insulation 10 1/2"        | 0.25      | 7052        | Stud retainer                           | 0.14      | 9215        | Screw                                  | 0.13      |
| 3002B       | Lower leg casting, blk                         | 7.50      | 4006        | Focus shaft                | 2.88      | 6040B        | Insulation 4 1/2"         | 0.10      | 7302        | Wing stud                               | 0.86      | 9216        | Screw                                  | 0.09      |
| 3003        | Upper leg casting [R]<br>w/ knob 3006          | 9.75      | 4007        | Rubber washer              | 0.23      | 6040C        | Insulation 3 1/8"         | 0.10      | 7303        | Nut                                     | 0.17      | 9217        | Screw                                  | 0.11      |
| 3003B       | Upper leg casting,<br>blk w/ knob 3001 BL      | 10.00     | 4012P       | Front housing assembly     | 48.50     | 6045         | Tota AC connector         | 6.10      | 7305        | Lock washer                             | 0.05      | 9219        | Screw                                  | 0.14      |
| 3004        | Upper riser casting<br>[F] w/ knob, 3001       | 7.00      | 4015/2P     | Rear Housing               | 29.75     | 6049         | AC connector w/strain     | 7.25      | 7306        | Lock washer                             | 0.05      | 9220        | Washer                                 | 0.27      |
| 3004B       | Upper riser casting<br>w/ knob, blk            | 7.25      | 4019        | Knob                       | 1.50      | 6051SP       | Universal angle bar steel | 4.56      | 7307        | Array Barndoor                          | 78.04     | 9221        | Washer                                 | 0.25      |
| 3005        | Riser casting [G]<br>w/ knob 3001              | 7.00      | 4021APB     | Stand fitting              | 6.75      | 6057P        | Door mount bracket        | 3.85      | 8500        | Ballast (each)                          | 105.00    | 9222        | Screw                                  | 1.15      |
| 3005B       | Riser casting [G]<br>w/ knob 3001B for KSA     | 7.25      | 4022A       | Switch                     | 3.25      | 6066A        | Door clip screws          | 0.07      | 8509        | Array ballast cable                     | 36.15     | 9223        | Reflector/glass retainer               | 2.50      |
| 3006        | Female knob                                    | 2.75      | 4024        | Spring washer              | 0.10      | 6067P        | Ground screws             | 0.05      | 8513        | Strain relief                           | 0.35      | 9243        | UMB assembly (w/knob)                  | 9.80      |
| 3006B       | Female Knob (Black)                            | 2.96      | 4025A       | DP Insulation              | 0.95      | 6068         | Center reflector screw    | 0.05      | 8515        | Power cord                              | 37.50     | 9253        | Screw                                  | 0.15      |
| 3007        | Double Threaded Stud                           | 2.59      | 4026        | Reflector retaining spring | 2.15      | 6072         | Washer                    | 0.05      | 8516        | Label                                   | 4.25      | 9259        | Belleville washer                      | 0.34      |
| 3008        | Washer   | 0.11      | 4028P       | Carriage posts             | 1.25      | 6073         | Double eye rod            | 0.90      | 8520        | Strain relief                           | 0.21      | 9276        | Pro socket carriage (w/socket)         | 8.50      |
| 3009        | Lower leg casting [U]                          | 5.25      | 4034        | Nut                        | 0.05      | 6075         | Threaded rod              | 0.90      | 8521P       | Tilter Angle                            | 5.75      | 9277A       | 4' Pro AC cable<br>(for model P2-10)   | 7.75      |
| 3010        | Upper leg casting [T]<br>w/ knob 3001          | 8.50      | 4036        | Cap screw                  | 0.17      | 6076P        | Screw                     | 0.25      | 8522        | Locking stud                            | 4.21      | 9277CE      | 4' Pro AC cable<br>(for model P2-10CE) | 11.45     |
| 3013        | Knob   | 2.59      | 4037P       | Handle nut                 | 2.50      | 6077         | Cap screw                 | 0.15      | 8529P       | Stand fitting                           | 6.75      | 9278        | Front end assembly<br>(rear section)   | 7.50      |
| 3014        | Hex Bolt                                       | 0.13      | 4038P       | "D" hole washer            | 0.50      | 6079         | Screw                     | 0.07      | 8531P       | Cross bar                               | 14.35     | 9283P       | Flaglink stamping w/flex lock          | 3.10      |
| 3016        | Screw  | 0.05      | 4039        | Screw                      | 0.08      | 6080         | Knob                      | 1.53      | 8533        | Female knob                             | 2.45      | 9284        | Screw                                  | 0.95      |
| 3017        | Screw  | 0.05      | 4040        | Screw                      | 0.06      | 6082         | Knob                      | 1.53      | 8534P       | X-frame channel                         | 28.50     | 9310        | Wire segment assembly                  | 0.96      |
| 3042        | Upper leg casting [M]<br>w/ knob 3013          | 8.75      | 4045/2      | Label                      | 3.00      | 6082A        | Knob                      | 1.17      | 8537B       | Square nut                              | 1.30      | 9312        | i-light cable (no plug)                | 8.50      |
| 3043        | Lower leg casting [N]                          | 6.00      | 4046        | Barrier shield             | 0.40      | 6087         | Washer                    | 0.22      | 8540P       | Main channel                            | 28.50     | 9313        | i-light cable<br>(w/cigarette plug)    | 18.00     |
|             |  |           | 4047P       | DP shield                  | 2.50      | 6090         | Lock nut                  | 0.40      | 8542        | Socket                                  | 2.10      | 9314        | i-light cable<br>(w/4 pin XLR plug)    | 20.00     |
|             |  |           | 4561/2P     | Gel frame                  | 40.00     | 6091P        | Door clip                 | 0.14      | 8543        | Lamp clip                               | 1.28      |             |  |           |
|             |  |           | 4563/2P     | Coupling clamp             | 2.96      | 6093         | Spacer                    | 0.15      | 8560A       | Wire cover                              | 10.50     |             |  |           |
|             |  |           | 4564/2P     | Support tube               | 15.96     | 6094P        | Nut                       | 0.24      | 8574        | Washer                                  | 0.40      |             |  |           |
|             |  |           | 4565        | Screw                      | 0.23      | 6095B        | Nut                       | 0.15      | 8575        | Bolt                                    | 0.07      |             |  |           |
|             |  |           | 4567        | Screw                      | 0.20      | 6098         | Washer                    | 0.15      | 8576        | Washer                                  | 0.60      |             |  |           |
|             |  |           | <b>5001</b> | Softlight 2 label          | 3.56      | 6099         | Washer                    | 0.05      |             |   |           |             |  |           |
|             |  |           | 5011P       | Core only                  | 20.75     | 6131P        | Tilt bracket              | 4.25      |             |   |           |             |  |           |
|             |  |           | 5012P       | Core cover                 | 8.50      | 6133P        | Knurled knob              | 2.75      |             |   |           |             |  |           |

## Parts



| Code            | Description                              | List US\$ |
|-----------------|--|-----------|
| 9318            | i-light cable<br>(w/Anton Bauer plug)    | 27.00     |
| 9325            | Lockwasher                               | 0.10      |
| 9330            | i-light/id lamp holder                   | 2.50      |
| 9331            | i-light/id lamp carriage                 | 2.20      |
| 9332            | Lamp spring                              | 1.95      |
| 9333            | Terminal                                 | 0.25      |
| 9334            | i-light/id focus label<br>(right side)   | 1.00      |
| 9335            | i-light/id warning<br>label (left side)  | 1.00      |
| 9344            | Screw                                    | 0.30      |
| 9345            | Nut                                      | 0.10      |
| 9348            | 12v cig lighter plug for I/id            | 5.64      |
| 9360            | Dim circuit board + knob                 | 105.00    |
| 9361            | id-light Dimmer Label                    | 2.55      |
| 9372            | Dimmer knob                              | 2.10      |
| 9402            | Protective Screen (CE)                   | 4.87      |
| 9403            | Screw                                    | 0.13      |
| 9404            | V-light fuse                             | 0.39      |
| 9405            | V-light cable                            | 9.50      |
| 9405E           | V-light Cable (CE)                       | 10.78     |
| 9407            | V-light label                            | 1.50      |
| 9410            | V-light Label (CE)                       | 2.45      |
| 9411            | V-light Warning Label (CE)               | 1.33      |
| 9412            | V230 Warning label                       | 2.45      |
| 9413            | V-light glass tube                       | 5.76      |
| 9418            | V upper reflector flap                   | 5.00      |
| 9419            | V lower reflector flap                   | 5.00      |
| 9426            | Main V housing                           | 18.50     |
| 9427            | Rear cover                               | 6.00      |
| 9428            | V-light socket assembly<br>(w/o contact) | 14.95     |
| 9429            | V lamp socket contact only               | 3.50      |
| 9430            | Fuseholder assembly                      | 1.25      |
| 9432            | Reflector trough                         | 2.50      |
| 9433            | V-light door hinge                       | 0.80      |
| 9435            | Teflon insulator tube                    | 0.70      |
| 9456            | Stamping                                 | 0.70      |
| 9457            | Bracket                                  | 1.25      |
| 9462            | Strain relief                            | 0.35      |
| 9464            | Wire assembly                            | 1.25      |
| 9465            | Wire assembly                            | 1.25      |
| 9472            | Screw                                    | 0.10      |
| 9473            | Screw                                    | 0.10      |
| 9474            | Screw                                    | 0.10      |
| 9476            | Lockwasher                               | 0.10      |
| 9480            | Retaining ring                           | 0.10      |
| 9489            | Wire assembly                            | 1.15      |
| 9490            | Terminal block                           | 1.55      |
| <b>10003/2P</b> | Stand fitting                            | 18.52     |
| 10004/2         | IEC connector                            | 9.98      |
| 10005/2         | Terminal                                 | 0.21      |
| 10012/2         | Screw                                    | 0.53      |
| 10013/2         | Screw                                    | 0.11      |
| 10016P          | LC-55 rib                                | 20.30     |
| 10017           | LC-55 tips                               | 1.33      |
| 10075           | LC-55 shell                              | 145.00    |
| 10080           | Carry Bag for LC55                       | 14.75     |
| 10116P          | LC-66 rib                                | 21.98     |
| 10117           | LC-66 & 88 tips                          | 1.44      |
| 10175           | LC-66 shell                              | 170.00    |
| 10180           | Carry Bag for LC66                       | 15.75     |
| 10216P          | LC-88 rib                                | 22.68     |
| 10275           | LC-88 shell                              | 185.00    |
| 10280           | Carry Bag for LC88                       | 16.75     |
| 10414           | Support Tube                             | 13.83     |
| 10416P          | LC-44 Ribs Finished                      | 18.20     |
| 10417           | LC-44 Upper Collar                       | 8.05      |
| 10419           | Tip for LC-44 Shell                      | 1.51      |

| Code           | Description          | List US\$ |
|----------------|----------------------|-----------|
| 10420P         | Stand Fitting Block  | 8.40      |
| 10421          | Knob                 | 0.81      |
| 10422          | Stand Mount          | 25.03     |
| 10423          | Set Screw            | 0.50      |
| 10424          | Socket Head Screw    | 0.16      |
| 10425          | Adj. Clamping Lever  | 8.02      |
| 10426          | Bel Washer           | 0.19      |
| 10427          | Frame Tube           | 6.83      |
| 10475          | LC-44 Shell          | 90.09     |
| 10480          | Carry Bag for LC44   | 14.75     |
| <b>11000AP</b> | Main frame           | 153.16    |
| 11000B         | Front frame assembly | 114.77    |
| 11000CP        | Top assembly         | 37.84     |
| 11002          | Lens                 | 34.13     |
| 11003P         | Back Cover           | 23.49     |
| 11004P         | AC backing plate     | 1.16      |
| 11005          | Lens support         | 0.32      |
| 11006          | Reflector            | 13.51     |
| 11007          | Lens shield          | 1.72      |
| 11008P         | Lens cover           | 10.68     |
| 11009          | Reflector Support    | 14.70     |
| 11011          | Focus pin gear       | 2.17      |
| 11012          | Bearing plate        | 1.33      |
| 11015          | Key washer           | 6.92      |
| 11016          | Focus shaft          | 7.39      |
| 11017          | Cam                  | 2.45      |
| 11019          | Hinge rod            | 0.32      |
| 11020P         | Back Shield          | 4.52      |
| 11021          | Knob                 | 4.01      |
| 11023          | Lens spring          | 1.72      |
| 11025          | Socket               | 14.21     |
| 11026          | Screw                | 0.07      |
| 11027P         | Yoke cap             | 3.19      |
| 11029          | Bolt                 | 0.39      |
| 11030          | Bolt                 | 1.58      |
| 11032          | Screw                | 0.14      |
| 11035          | Lock nut             | 1.05      |
| 11036          | Screw                | 0.07      |
| 11037          | Washer               | 0.35      |
| 11039          | Washer               | 1.05      |
| 11103P         | Yoke casting         | 33.78     |
| 11125P         | Handle spacer        | 1.68      |
| 11133          | Bushing              | 0.42      |
| 11142          | Washer               | 0.37      |
| 11143          | Washer               | 0.39      |
| 11144          | Washer               | 0.21      |
| 11390/2        | Handle lever         | 9.63      |
| 11558          | V-light Fuse (CE)    | 0.49      |
| <b>17501P</b>  | Rifa Bar             | 17.10     |
| 17638/2P       | Stand mount bkt.     | 11.03     |
| 17639/2P       | Stand mount block    | 20.20     |
| 17653/2P       | Housing              | 27.51     |
| 17667D         | Protective cover     | 12.04     |
| 17691/2D       | Support tube         | 18.20     |
| 17694/2        | Strain relief        | 0.46      |
| 17801/2        | Locking knob         | 0.88      |
| 17804D         | Frame Tube           | 12.18     |
| 17807P         | Upper collar         | 8.68      |
| 17808P         | Lower collar         | 6.27      |
| 17810          | Screw                | 0.10      |

## Assemblies



| Code    | Description                                  | List US\$ |
|---------|--|-----------|
| 91000/2 | Rifa cable<br>& socket assembly              | 57.14     |
| 91001   | Lowel-Light base plate                       | 16.60     |
| 91101   | Home-plate base                              | 16.60     |
| 91102   | Socket support                               | 3.75      |
| 91111   | Lamp baffle assembly                         | 14.78     |
| 92001   | Caster adaptor stamping                      | 10.75     |
| 93923   | Rod Assembly                                 | 9.07      |
| 94002   | DP socket carriage<br>assembly               | 22.50     |
| 94007   | DP handle complete                           | 9.50      |
| 94010   | DP accessory clamp                           | 6.50      |
| 95002   | Softlight 2 lamps socket<br>w/support        | 9.77      |
| 95003   | Softlight 2 strut<br>assembly                | 22.50     |
| 95004   | Softlight 2 core<br>(w/socket & refl.)       | 55.50     |
| 95005   | Softlight 2 switch<br>complete               | 19.50     |
| 96001   | Tota outer shell<br>(w/o knob)               | 9.80      |
| 96002   | Tota/Omni stand fitting<br>(w/knob)          | 8.50      |
| 96003   | Tota shell cover                             | 7.50      |
| 96004   | Tota complete<br>bottom door                 | 15.00     |
| 96006   | Tota complete top door                       | 15.00     |
| 96008   | Tota inner shell<br>(w/sockets)              | 16.50     |
| 96009   | Inner shell only<br>(w/o elec.cover sockets) | 5.50      |
| 97002   | Omni gel-brella bracket (w/knob)             | 13.00     |
| 97003   | Omni lamp socket<br>(w/shields)              | 14.00     |
| 97005   | Omni stud bracket                            | 2.38      |
| 97007   | Omni complete handle                         | 12.64     |
| 97008   | Omni AC connector<br>(w/shields)             | 7.50      |
| 97009   | 30V battery connector<br>(2-pin Amphenol)    | 30.00     |
| 99360   | i-light cable assembly<br>w/retainer         | 18.00     |
| 99380   | id-light cable assembly<br>w/retainer        | 18.00     |
| 911007  | Handle assembly                              | 17.64     |
| 911009  | Reflector support<br>assembly                | 42.30     |
| 911018  | Locking stud assembly                        | 5.92      |
| 94000/2 | Rifa 44 Cable & socket<br>assembly           | 57.00     |

## Products\*



| Code         | Description  | List US\$ |
|--------------|--|-----------|
| <b>CM-10</b> | Maxa-mount   |           |
| CM-20        | Scissor-mount (2)                                      |           |
| CM-21        | Gridlock (Scissor-mount w/L-link)                      |           |
| <b>D2-15</b> | DP Light #1 Reflector                                  |           |
| D2-17        | DP Light #3 Reflector                                  |           |
| D2-19        | DP Light Protective Screen                             |           |
| D2-20        | DP Light Complete Barndoor                             |           |
| D2-21        | DP Light Barndoor Frame                                |           |
| D2-22        | DP Light Rectangular<br>Leaf for Barndoor              |           |
| D2-23        | DP Light Triangular<br>Leaf for Barndoor               |           |
| D2-24        | DP Frame   |           |
| <b>F1-30</b> | Lobo   |           |
| F1-40        | Lobo Arm   |           |
| FR1-19       | Safety Screen  |           |
| FR1-20       | Set of 4 Barndoor leaves                               |           |
| FR1-22       | Rectangular leaf (1)                                   |           |
| FR1-23       | Triangular leaf (1)                                    |           |
| FR1-25       | Fren-L 650 Accessory<br>Gel-brella bracket             |           |
| <b>GT-12</b> | Gaffer Tape (12 yds.)                                  |           |
| GT-30        | Gaffer Tape (30 yds.)                                  |           |
| <b>i-82</b>  | 4-pin XLR Connector                                    |           |
| i-85         | Cig Lighter Cable                                      |           |
| i-86         | Anton Bauer Tap  |           |
| iP-14        | iP Retrofit Kit  |           |
| iP-17        | #2 Reflector for Pro and i                             |           |
| iP-20        | i-Pro 4-Way Barndoor                                   |           |
| iP-21        | i-Pro Barndoor Frame                                   |           |
| iP-22        | i-Pro Rectangular Leaf                                 |           |
| iP-23        | i-Pro Triangular Leaf                                  |           |
| iP-24        | i-Pro Fixed Leaf                                       |           |
| iP-30        | i-Pro Swing-in Accessory Holder                        |           |
| iP-40        | Pro & i Gel Frame                                      |           |
| iP-49        | i-Pro Clear Glass                                      |           |
| iP-52        | i-Pro Prismatic Glass                                  |           |
| iP2-18       | i-Pro Front End #2 Reflector<br>and Prismatic Glass    |           |
| iP2-19       | i-Pro Front End #2 Reflector<br>and Clear Safety Glass |           |
| <b>K1-10</b> | Interlink  |           |
| K1-11        | Double Male 5/8" Stud                                  |           |
| KCL          | Ceiling Link   |           |
| KG           | Grip   |           |
| <b>LC-30</b> | Rifa Balance Bar                                       |           |
| LC-44D       | Front diffuser Rifa LC-44                              |           |
| LC-44EC/30   | 30 deg. Egg Crate for LC-44                            |           |
| LC-44EC/40   | 40 deg. Egg Crate for LC-44                            |           |
| LC-44EC/50   | 50 deg. Egg Crate for LC-44                            |           |
| LC-55D       | Front diffuser Rifa LC-55                              |           |
| LC-55EC/30   | 30 deg. Egg Crate for LC-55                            |           |
| LC-55EC/40   | 40 deg. Egg Crate for LC-55                            |           |
| LC-55EC/50   | 50 deg. Egg Crate for LC-55                            |           |
| LC-66D       | Front diffuser Rifa LC-66                              |           |
| LC-66EC/30   | 30 deg. Egg Crate for LC-66                            |           |
| LC-66EC/40   | 40 deg. Egg Crate for LC-66                            |           |
| LC-66EC/50   | 50 deg. Egg Crate for LC-66                            |           |
| LC-88D       | Front diffuser Rifa LC-88                              |           |
| LC-88EC/30   | 30 deg. Egg Crate for LC-88                            |           |
| LC-88EC/40   | 40 deg. Egg Crate for LC-88                            |           |
| LC-88EC/50   | 50 deg. Egg Crate for LC-88                            |           |
| LFT          | Large Lightflector w/Filter                            |           |
| <b>ML-10</b> | Missing Link   |           |
| <b>O1-15</b> | Omni Reflector #1                                      |           |
| O1-16        | Omni Reflector #2                                      |           |
| O1-17        | Omni Reflector #3                                      |           |
| O1-19        | Omni-light Protective Screen                           |           |
| O1-20        | Omni Complete Barndoor                                 |           |
| O1-21        | Omni Barndoor Frame                                    |           |
| O1-22        | Omni Rectangular Leaf                                  |           |
| O1-23        | Omni Triangular Leaf                                   |           |
| O1-81        | Omni 5' 30V Cable                                      |           |
| O1-82        | Omni-Pro Cigarette Adaptor Plug<br>(for model P1-10)   |           |
| <b>P1-80</b> | 12' Extension Cable<br>(for model P1-10)               |           |
| P1-81        | 2-pin Amphenol 1' Adaptor Cable<br>(for model P1-10)   |           |
| P1-82        | 4-pin XLR 1' Adaptor Cable<br>(for model P1-10)        |           |
| <b>SC-10</b> | Space-clamp  |           |
| SC-15        | Large Space Clamp Bar                                  |           |
| SC-30        | Space Clamp Stud Bracket                               |           |
| SC-35        | Space Clamp Clamping Arm                               |           |
| SS-10        | Air Cushioned Shoulder Strap                           |           |
| <b>T1-19</b> | Tota-light Protective Screen                           |           |
| T1-20        | Tota-frame   |           |
| T1-21        | Tota-shade (1)   |           |
| T1-30        | Tota-clamp   |           |
| T1-32        | Tota-mount   |           |
| T1-36        | Tota-tilter  |           |
| T1-50        | Flexi-shaft (2)  |           |
| T1-52        | Tota-flag  |           |
| T1-54        | Tota-flector   |           |
| T1-80        | Tota-Omni 16' Cable                                    |           |
| T1-801       | Tota-Omni Eurocord 16' (5m)                            |           |
| <b>V44RS</b> | Variflector Replacement Panel                          |           |
| VIP-36       | L-link   |           |
| VIP-37       | Low-link   |           |
| VIP-38       | Stud-link  |           |
| VIP-39       | Stand-link   |           |
| VIP-41       | Cam-link   |           |
| VIP-50       | ViP Flag-link  |           |

### \* Products:

The products above, along with some others, are available directly from Lowel as an accomodation. Check with your Lowel Dealer first. See current Lowel Price list for prices.

# Lowel Parts Booklet

## If You Need Parts or Repair Service...

**Lowel Service: 800-334-3426**

### Ordering Parts

Check with your Lowel Dealer to determine if they have stock of the needed items. If not, Lowel can ship parts from our Factory. We make every effort to ship parts within a few days. Lowel parts are available only in limited quantities for the purpose of maintaining and repairing Lowel equipment. Price and availability are subject to change without notice.

### Repairs

Some Lowel Dealers can repair our equipment. If your dealer is not able to handle repairs, send or bring your Lowel equipment to our Brooklyn Factory along with a description of the problem. Please include your daytime phone number. We will charge on a time and materials basis and will not undertake repairs that rival new equipment costs. Requests for quotes will necessarily delay repairs.

### Payment

for Parts or Repair Service can be made with Visa, MasterCard, or American Express credit cards, as well as by check or Money Order.

**Lowel recommends against doing your own electrical repairs unless you are a qualified electrician.**

**For Lowel Limited Warranty, see pg 11.**

## Lowel Parts Order Form

**Lowel Fax: 718-921-0303**

**Copy this form to fax a credit card order or to mail with payment.**

Name \_\_\_\_\_ Daytime Phone \_\_\_\_\_ e-mail address \_\_\_\_\_

**Address** \_\_\_\_\_  
 \_\_\_\_\_  
 \_\_\_\_\_  
 \_\_\_\_\_

**Shipping Address** (if different from Billing Address) \_\_\_\_\_  
 \_\_\_\_\_  
 \_\_\_\_\_  
 \_\_\_\_\_

**Payment type:**  Check  Money Order  Visa  American Express  MasterCard  
 Card # \_\_\_\_\_ Expiration Date \_\_\_\_\_

| Quantity | Part Number | Description | Unit Price | Amount |
|----------|-------------|-------------|------------|--------|
| _____    | _____       | _____       | _____      | _____  |
| _____    | _____       | _____       | _____      | _____  |
| _____    | _____       | _____       | _____      | _____  |
| _____    | _____       | _____       | _____      | _____  |
| _____    | _____       | _____       | _____      | _____  |
| _____    | _____       | _____       | _____      | _____  |
| _____    | _____       | _____       | _____      | _____  |
| _____    | _____       | _____       | _____      | _____  |
| _____    | _____       | _____       | _____      | _____  |
| _____    | _____       | _____       | _____      | _____  |

**U.S. Shipping Charges:** (U.S. \$)  
 0-15.00=4.00  
 15.00-50.00=7.00  
 50.00-100.00=9.00  
 100.00+=12.00  
 Normal delivery 3-7 days to U.S. destinations, no P.O. boxes.  
 For overnight delivery add 15.00 to shipping charges.  
 For 2nd day delivery add 7.00 to shipping charges.

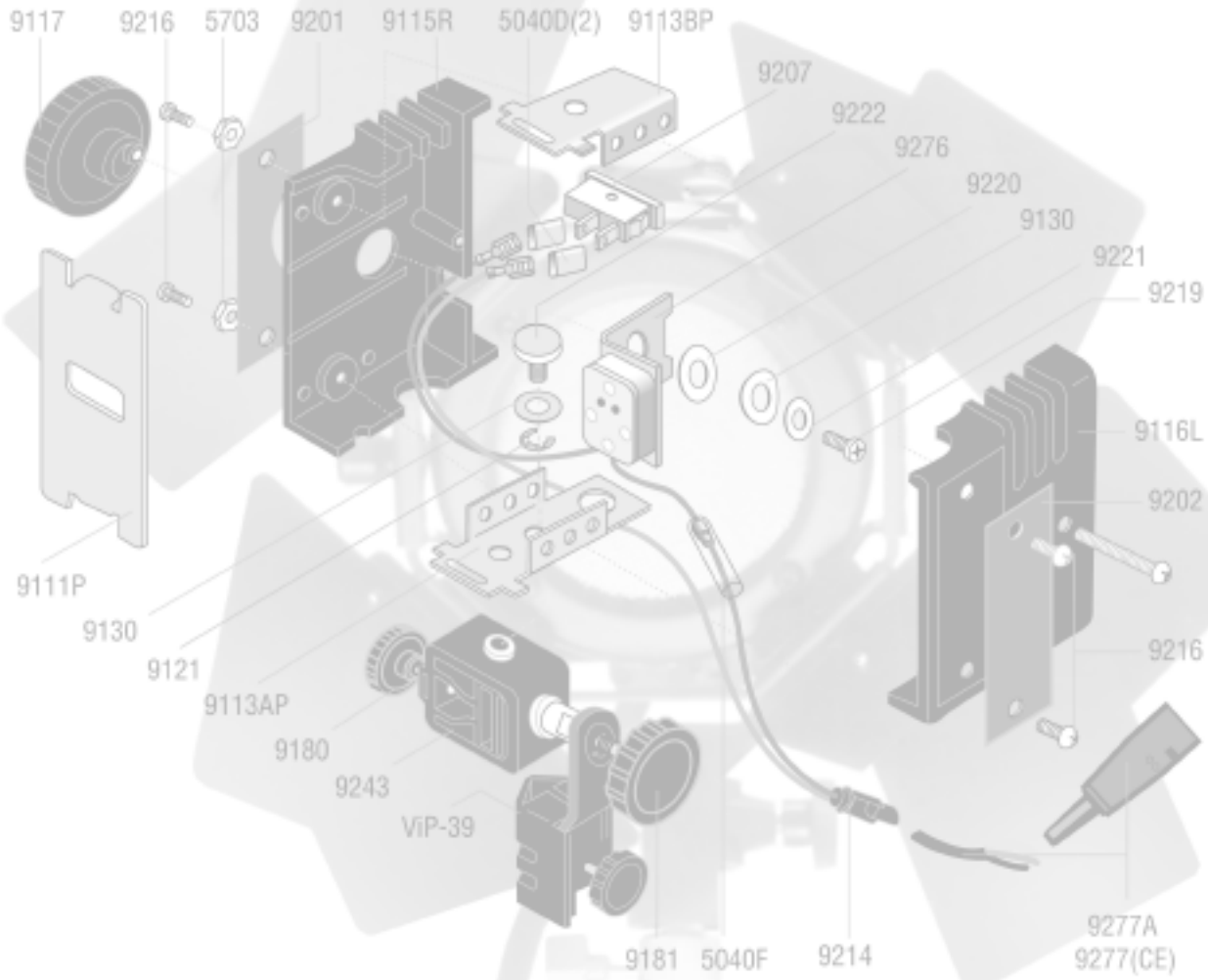
**Add Shipping Total** \_\_\_\_\_  
 (see chart)  
**Add Tax:** 8.25% (NY) \_\_\_\_\_

Prices, specifications and products are subject to change, w/o notice.  
 All prices are US suggested list prices. Possession of Lowel-Light Manufacturing Inc. catalogs, price lists, and supplemental materials is not in and of itself an offer to sell.



**Lowel-Light Manufacturing, Inc.**  
 140 58th Street, Brooklyn, N.Y. 11220  
 Call: 800 334-3426 / 718 921-0600  
 Fax: 718 921-0303  
 e-mail: info@lowel.com  
**www.lowel.com**





### Lowel-Light Manufacturing, Inc.

140 58th Street, Brooklyn, N.Y. 11220

Call: 800 334-3426 / 718 921-0600

Fax: 718 921-0303

e-mail: [info@lowel.com](mailto:info@lowel.com)

[www.lowel.com](http://www.lowel.com)

