

Table of Contents

Warnings

B		M	
Brellas	13	Maxamount	13
C		Missing Link	12
Ceiling link	12	O	
Clamps & Mounts	12	Omni-light	3
D		Omni-stand	11
D Light	8	P	
DP Accessories	8	Parts List & Prices	insert
DP Light	8	Pro-light	4
F		Pro & i Front End	4
Flags & Gel Holders	13	R	
Flexi-shaft	13	Reflectors, Umbrellas &	13
Fren-L 650	8	Rifa-lite	6-7
Full Pole	8	S	
G		Scissor-mount	12
Gel Holders & Flags	13	Softlight 2	10
Grand Stand	11	Space Clamp	12
Gridlock	12	Stands, Poles &	11
Grip	12	T	
H		Tota Frame	13
Half Pole	11	Tota-clamp	12
I		Tota-flag	13
i-light	5	Tota-flector	13
id-light	5	Tota-light	3
Interlink	12	Tota-mount	12
K		Tota-tilter	12
KSA Stand	11	Tota/Omni Accessories	3
KS Stand	11	U	
KS Jr. Stand	11	Umbrellas	13
L		Uni-stand	11
L-light	10	Uni Sr. Stand	11
L-light Home-plate	10	V	
Light-Array	9	V-light	4
Lightflector	13	Variflector II	13
Lobo & Lobo Arm	12	VIP Accessories	4-5
Lowel Caster	11	W	
Lowel-light	10	Warranty	14
Lowel Weight	11		

General Information



General

The Lowel Parts Booklet can be used to:

- a) identify and order parts for replacement and repair;
- b) clarify the assembly sequence of parts while making repairs;
- c) select spare parts for repair departments.

How to use

Consult the index/table of contents for appropriate equipment page number; locate the part number on the drawing or table and find the name and cost of the part on numerically arranged center price list insert. Replacement equipment available directly from Lowel is arranged in three groups—individual parts, assemblies and products.

Assemblies are groups of parts assembled in our factory. Most **Products** are available only through Authorized Lowel Dealers. The products listed in the price list insert, as well as some others, may be purchased directly from Lowel.

Most assemblies and parts shown in the exploded view drawings have numbers; however, some do not. Those with numbers can be used for replacement or repair using a few basic tools. Parts without numbers require special tools or assembly techniques (such as riveting) and are not available.

Ordering Parts

Check with your Lowel Dealer to determine if they have stock of the needed items. If not, Lowel can ship parts from our Factory. **See back of price list insert for more information.** We make every effort to ship parts within a few days. Lowel parts are available only in limited quantities for the purpose of maintaining and repairing Lowel equipment. Price and availability are subject to change without notice.

Repairs

Some Lowel Dealers can repair our equipment. If your dealer is not able to handle repairs, send or bring your Lowel equipment to our Brooklyn Factory along with a description of the problem. Please include your daytime phone number. We will charge on a time and materials basis and will not undertake repairs that rival new equipment costs. Requests for quotes will necessarily delay repairs.

For warranty repair, see Limited Warranty.

■ **Always read the instructions supplied with Lowel fixtures.** Copies are available by contacting us, or on www.lowel.com.

■ **Electrical repairs should be undertaken only by qualified electricians.** Lowel will not be held liable for any loss, damage, injury, or expenses of any kind resulting from out-of-factory alteration, modification or repair of any Lowel product.

■ **Serious damage to lights and to users can result from interfering with the unit's ventilation.**

Never cover any light with aluminum foil or other materials. Make certain that reflector doors on the Tota-light are open to the proper minimum operating position before turning the unit on. Similarly, make certain that the lamp covers on the Softlight are properly opened before operation.

■ **Safety screens must always be used.** Tota, Omni, and DP Lights all come with safety screens that attach to the front of the fixture to provide added protection in case of an exploding lamp.

If you own older fixtures (pre-1990) without safety screens, please contact us. We'll send free safety screens for your lights.

Tips

Causes of Short Lamp Life

1) Defective lamps

Due to inconsistencies in lamp production, an individual lamp or a batch of lamps may function for far less than their "rated life." If all other short-life factors are properly attended to, and you think that your lamps are defective, contact your dealer or the lamp manufacturer with the following information: manufacturer's name, total operating life of each lamp (in approximate hours), and the batch number printed on the lamp base of each lamp.

2) Improper insertion (seating) of lamps

In order to maintain proper electrical contact, new sockets are "stiff" and may require considerable lamp insertion pressure. If the lamp is not fully inserted arcing and pitting of the socket contacts and lamp pins may occur. This diminishes electrical contact, and causes overheating of these parts, leading to rapid lamp contact and socket contact deterioration.

3) Defective or worn-out lampholders (sockets)

If the contact or contact spring in any light fixture is loose or dark or dull or pitted, short lamp life and erratic (turning on-off) performance may result. Lampholders with dark, loose or pitted contacts should be replaced.

4) Use of the fixture in improper orientations

See instructions for individual light fixtures.

5) Operating the fixture at improper voltages

Lamps must be operated at proper voltages. Never use 12, 30 or 120V lamps at higher source voltages. Check lamp voltage and source voltage before turning on light.

6) Shock or vibration

Compact filament lamps (such as the Pro and Omni) may fail if subjected to vibration while on. Turn off light before moving or adjusting. Focus smoothly.

7) Frequent removal and insertion of lamp

Leave lamps in fixtures during normal location transport.

8) Ventilation obstruction

Never block any vents on any Lowel light, for any reason.

Cables

It is not unusual for cables to be warm during normal operation. However, switches should not be warmer than the cable. A hot switch or electrical plug (male or female) may be on the verge of failure, and should be replaced. In general, a loose contact will result in overheating at that contact. Tightening a loose screw (in a switch or female plug) may alleviate this problem.

Aging cables may become progressively warmer. However, if the insulation becomes hot and begins to melt or crack, the cordset should be replaced.

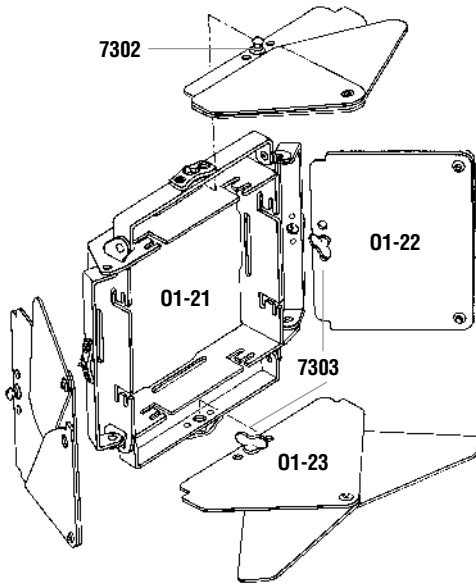
Dimmers

120V dimmers may be used with all Lowel lights in conjunction with 120V tungsten lamps. They should not be used with Lowel fluorescent fixtures. (You cannot use a 120V dimmer to control a 30V or 12V lamp). Most electronic dimmers can cause the lamp filament to hum, and will lower the color temperature (making the light appear more yellow). Also, if a lamp is dimmed too low and the halogen cycle is interrupted, the lamp's quartz walls may blacken.

220/240 Volt

CE approved Lowel lights can be used at 220V or 240V. If a 240V lamp is available for a particular unit (such as the EMF for the Tota-light), choose the appropriate AC cable, either from this booklet or the full Lowel catalog. You can operate the light with 120V lamps from 220V or 240V sources (such as are found abroad) with a commonly available electrically approved converter, though with lowered color temperature.

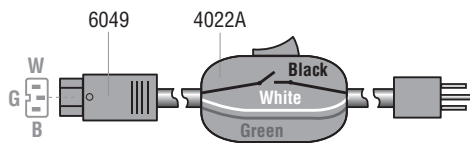
T/O Accessories



Omni Barndoor (01-20)

Floppy barndoors may be fortified by hammering the hinge rivets. Barndoor frames that fall off can be bowed in carefully.

Wing stud retainer	7302
Wing stud	7303
Barndoor frame	01-21
Rectangular Barndoor	01-22
Triangular Barndoor	01-23



Cables 16' 120V (T1-80)

T/O Eurocord 16' (5m) (T1-801)

13 oz (369 g), 18/3 (.75 mm/3) w/double pole switch and Male CEE-7 plug.

5' 30V Cable (01-81)

The 30V female two-pin Amphenol type connector assembly number is 97009.

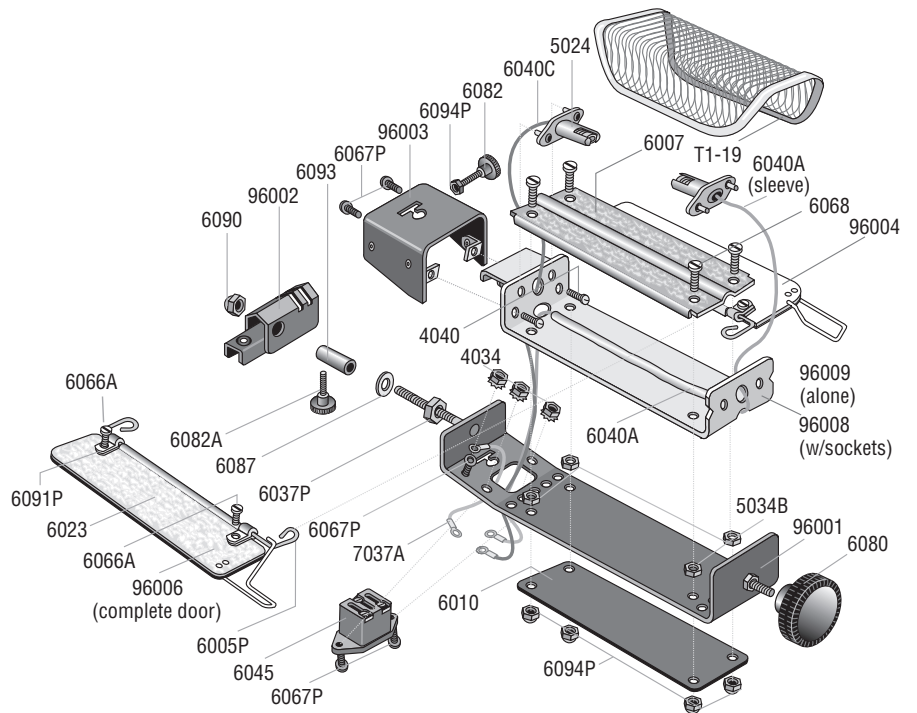
Omni Accessories

Omni accessories, such as dichroic or diffused glass, safety screen, scrim and umbrella, are not repairable.

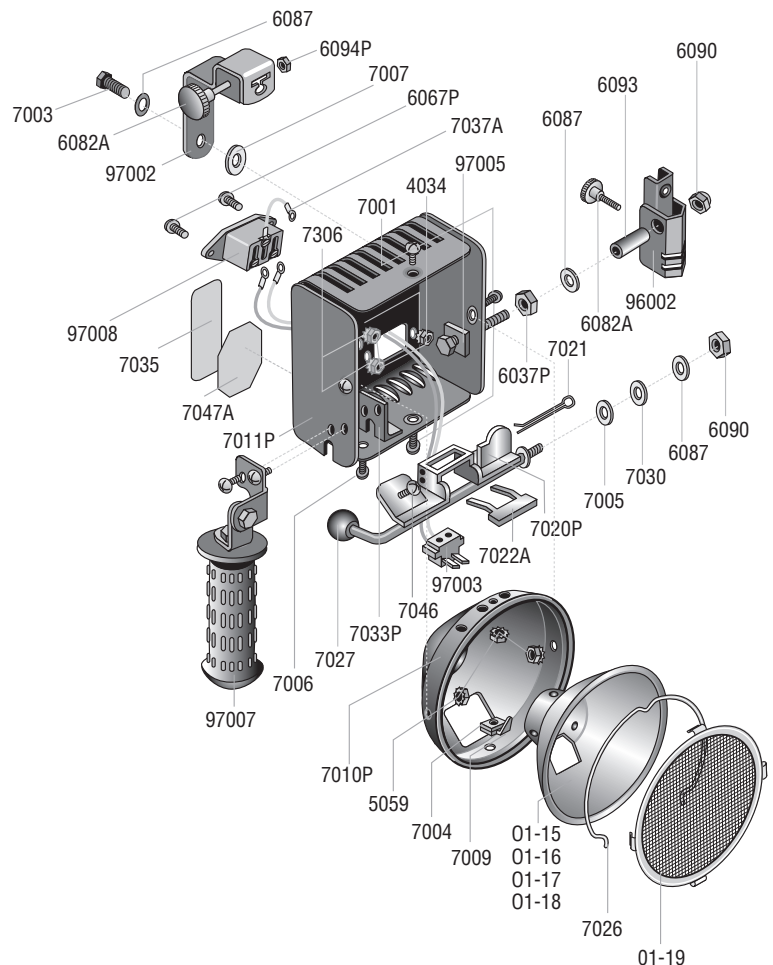
Omni Reflectors

#1—regular, silver	01-15
#2—12V, 30V use	01-16
#3—superspot	01-17

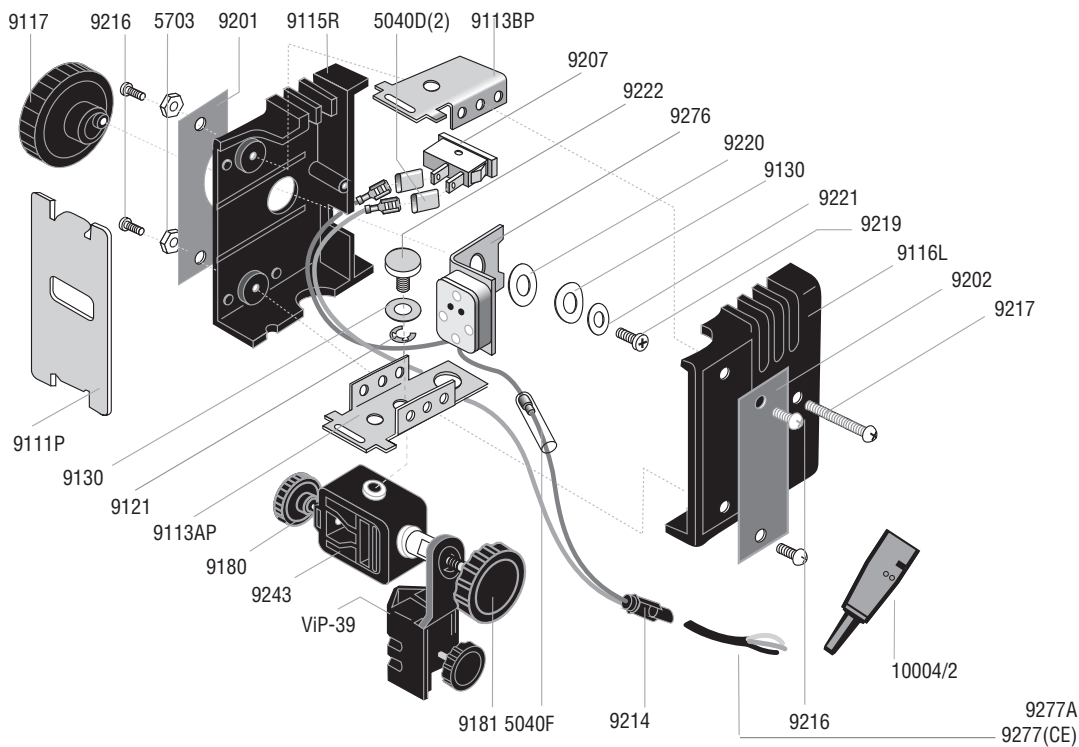
Tota-light (T1-10)



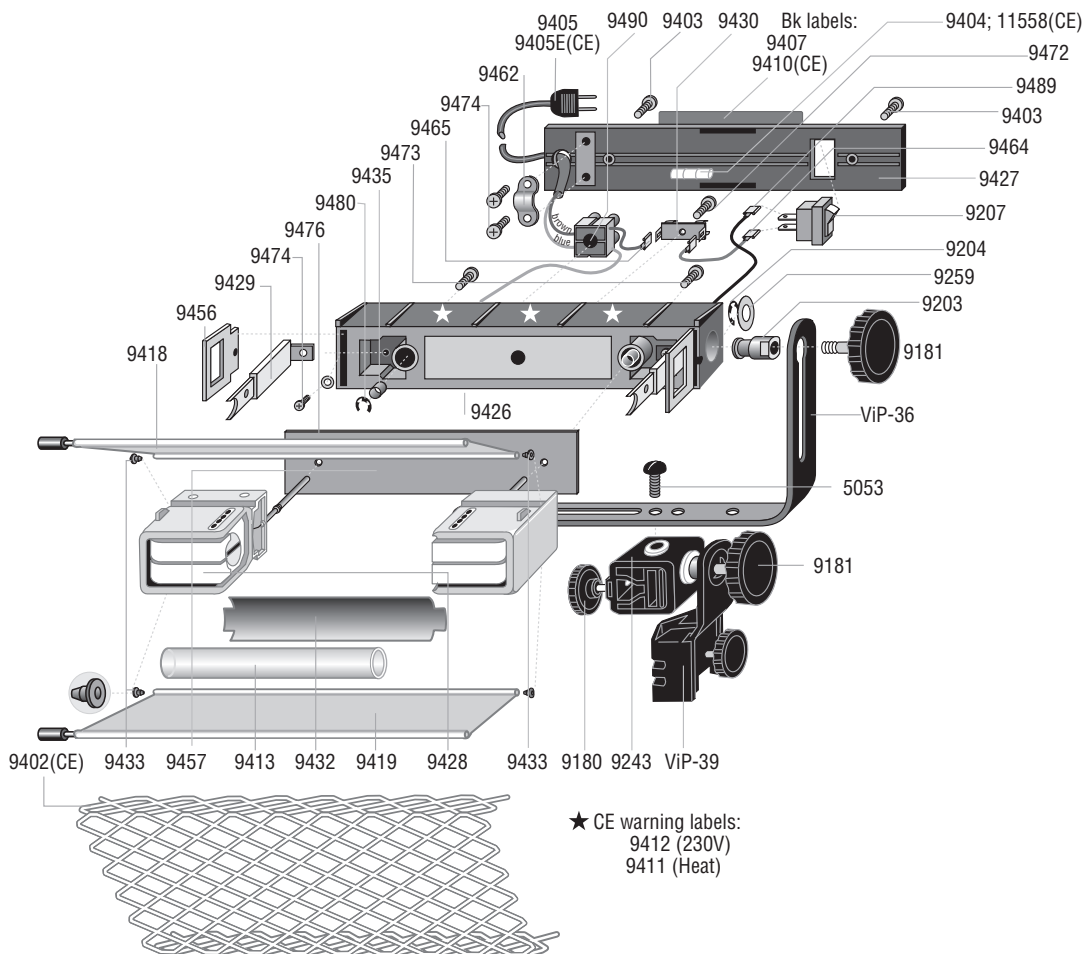
Omni-light (01-10)



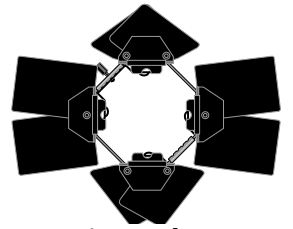
Pro-light (P1-10)



V-light (V1-10)



ViP Accessories



Pro & i Barndoor

Barndoors and barndoor frame are not repairable.

Frame	iP-21
Exp. rectangular leaf	iP-22
Triangular leaf	iP-23
Fixed leaf	iP-24
Barndoor frame knob spring	9135
Locking angle	9137B
Lockwasher	9148
Spring	9153R
Barndoor frame knob	9157



Pro Adaptor Cables

Except as noted, all these products have a female 120V-type two blade connector for use with the Pro-light, and are one foot long.

Extension cable (12', 3-pin)	P1-80
2-pin 30V cable (Amphenol)	P1-81
4-pin XLR cable	P1-82
Cigarette lighter adaptor	O1-82

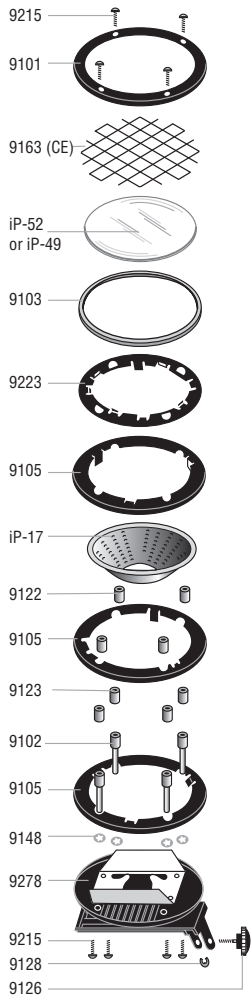


i-light/id-light Cables and Connectors

i-light & id-light cables have to be wired in.

i & id-light cable (no plug)	9312
i & id-light cable (w/cig plug)	9313
i & id-light cable (w/4 pin XLR)	9314
i & id-light cable (Anton Bauer)	9318
4 Pin XLR Connector	i-82
5 Pin XLR Connector	i-83
BP-90 Type Connector	i-84
Cig. Lighter 10' Ext. Cable	i-85
Anton Bauer Tap Connector	i-86

i & Pro Front End (9161/2)



ViP Accessories

Flag Link

(ViP-50)



Screw 9284

Washer 4024

Stamping w/flex lock 9283P

Handle & Low-link

(ViP-42),

Handle & Stud-link

(ViP-38)

Low-link ViP-37

Knob 9181

Stud-link ViP-38

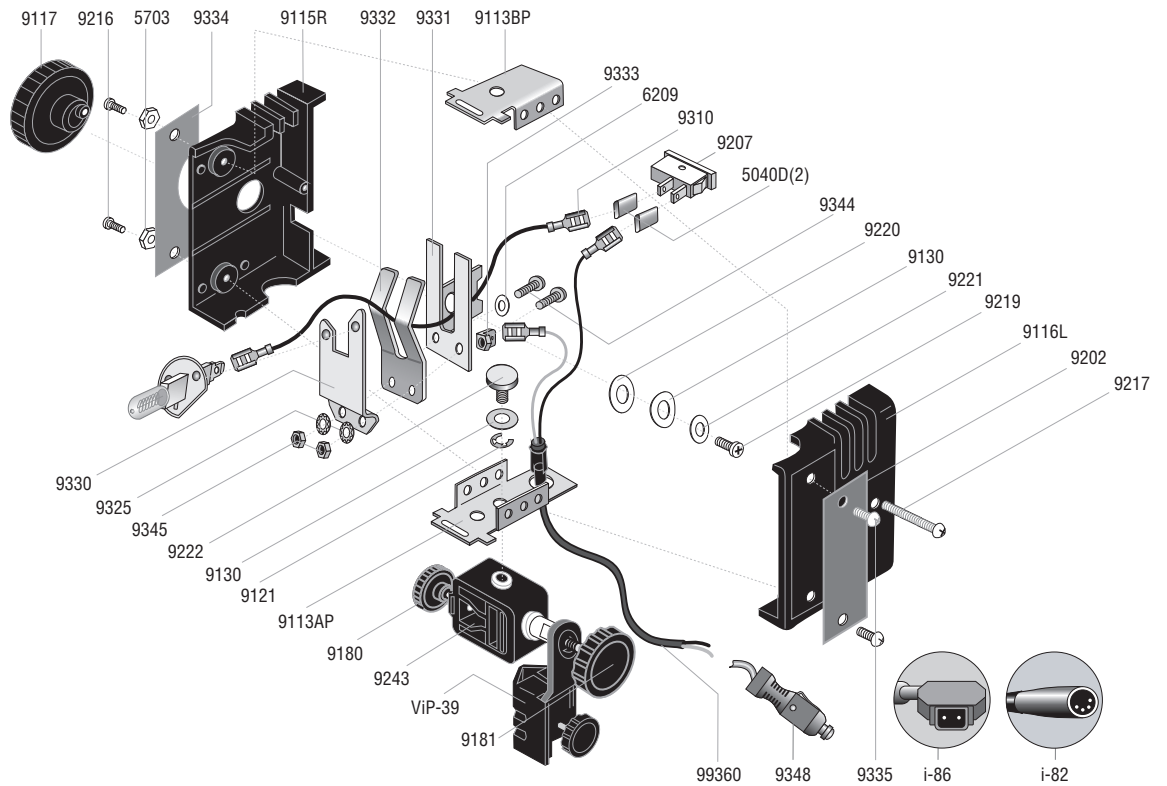
These Products are not Repairable:

Snoot iP-53

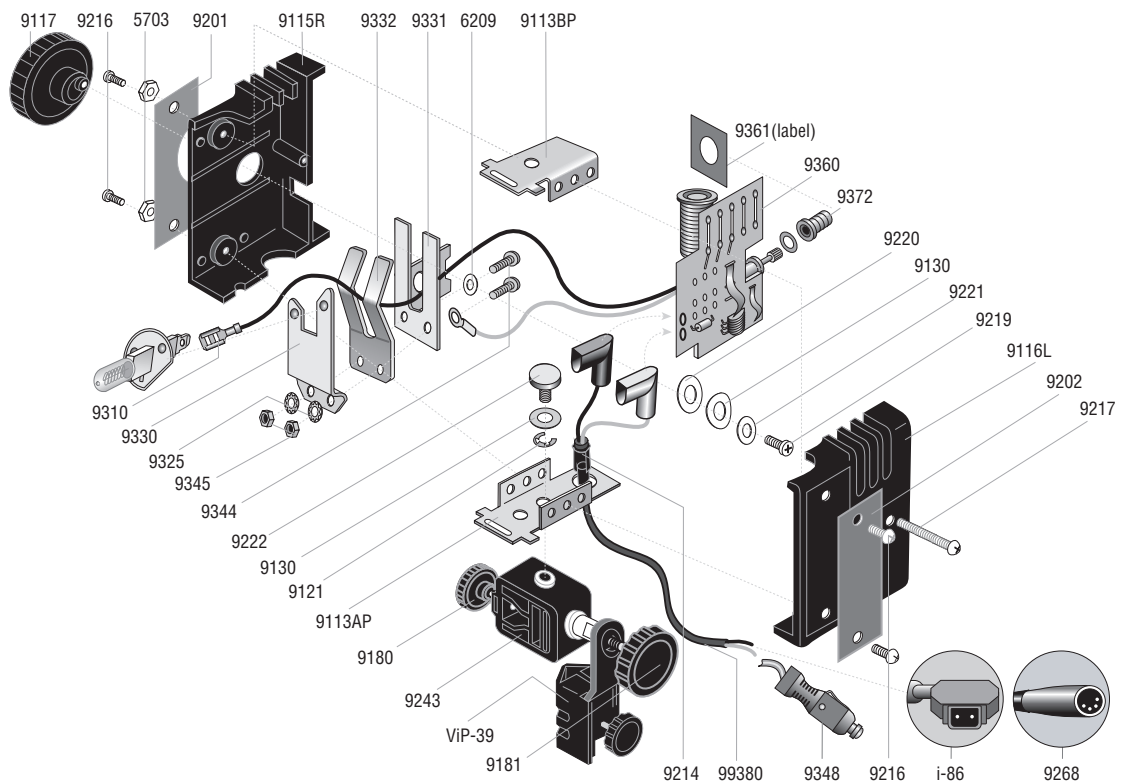
Swing-in accessory holder iP-30

Vipod ViP-35

i-light (i-10)



id-light (id-10)



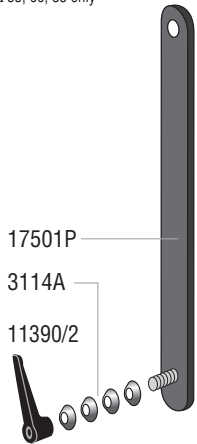
Rifa-lite System

Rifa Accessories

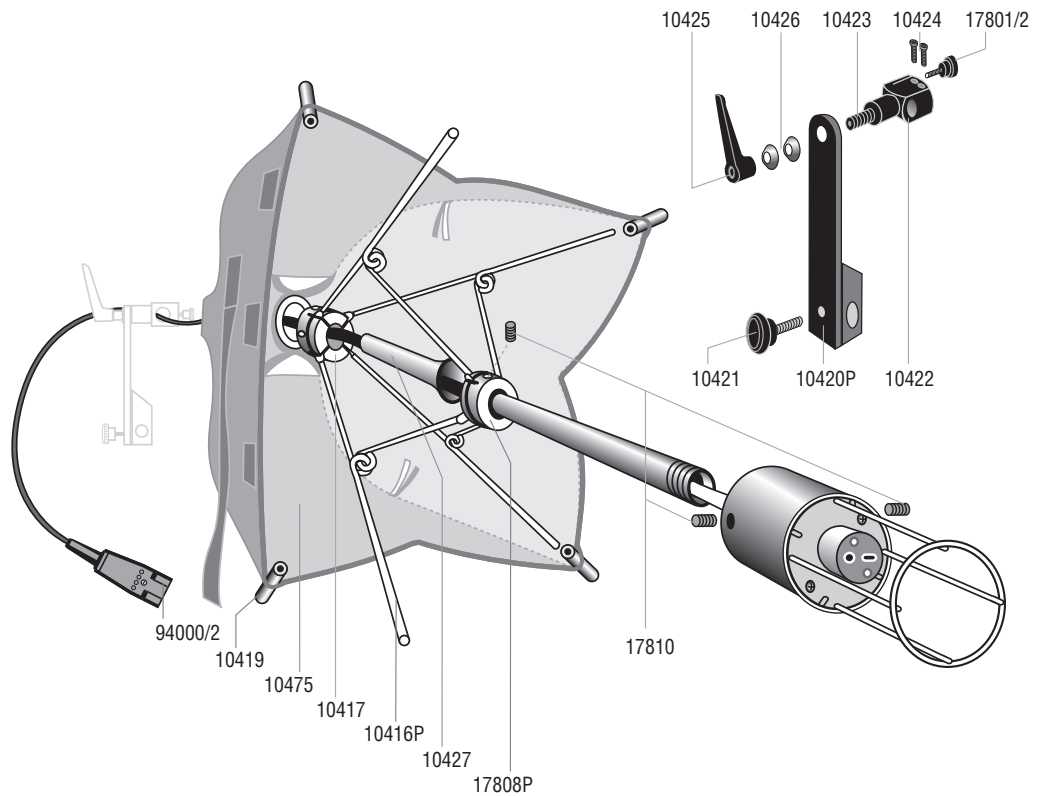
Diffuser for LC-44	LC-44D
30° Egg Crate for LC-44	LC-44EC/30
40° Egg Crate for LC-44	LC-44EC/40
50° Egg Crate for LC-44	LC-88EC/50
Diffuser for LC-55	LC-55D
30° Egg Crate for LC-55	LC-55EC/30
40° Egg Crate for LC-55	LC-55EC/40
50° Egg Crate for LC-55	LC-55EC/50
Diffuser for LC-66	LC-66D
30° Egg Crate for LC-66	LC-66EC/30
40° Egg Crate for LC-66	LC-66EC/40
50° Egg Crate for LC-66	LC-55EC/50
Diffuser for LC-88	LC-88D
30° Egg Crate for LC-88	LC-88EC/30
40° Egg Crate for LC-88	LC-88EC/40
50° Egg Crate for LC-88	LC-55EC/50
Rifa Carry Bag for LC-44	10480
Rifa Carry Bag for LC-55	10080
Rifa Carry Bag for LC-66	10180
Rifa Carry Bag for LC-88	10280

Rifa Balance Bar (LC-30)

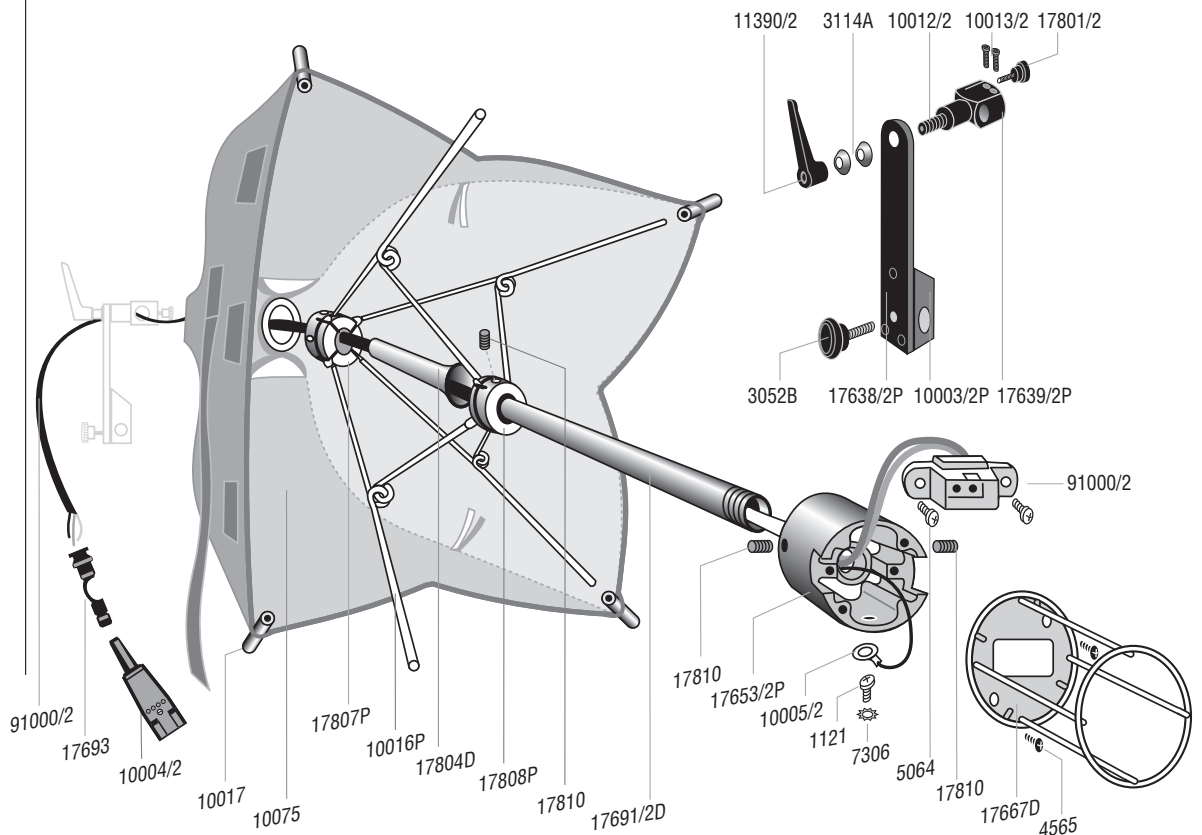
For Rifa 55, 66, 88 only



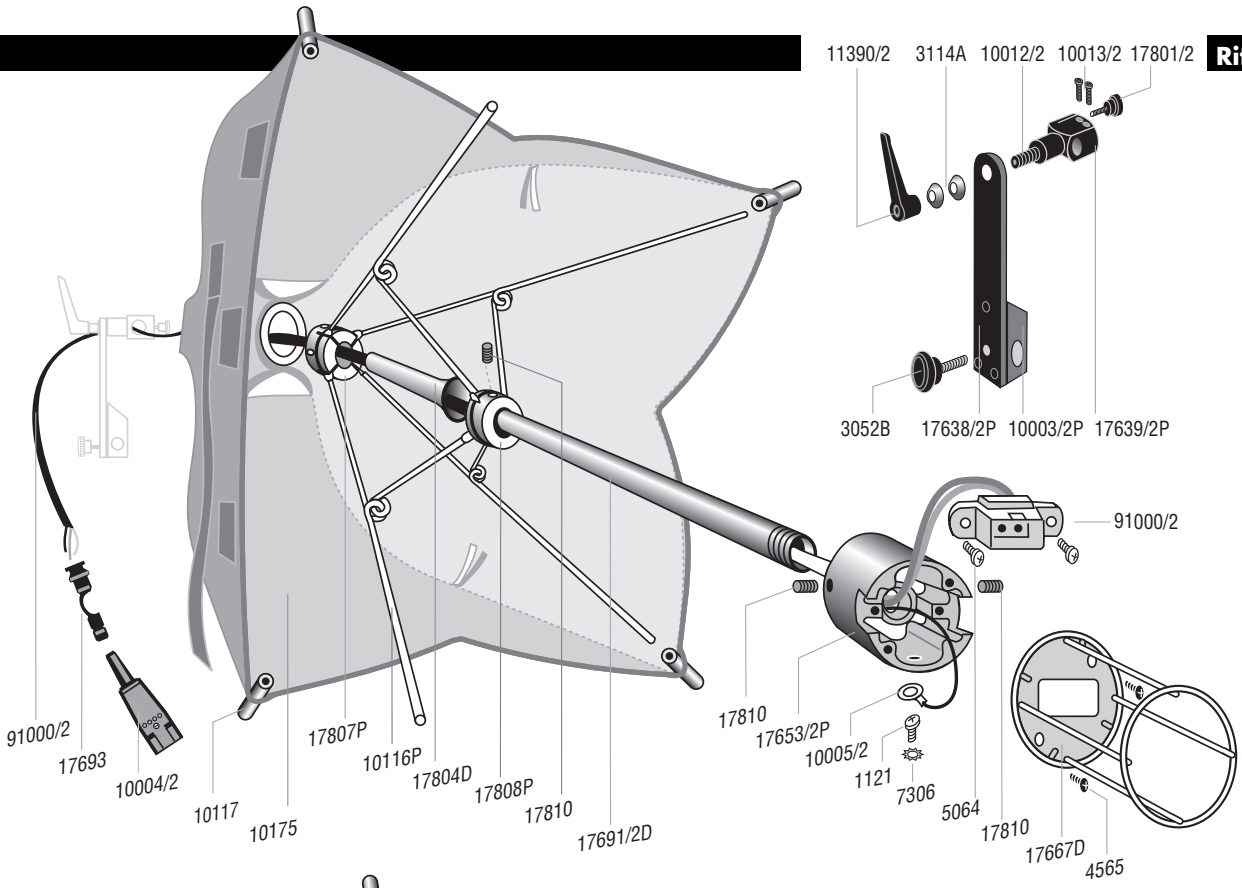
Rifa-lite 44 (LC-44)



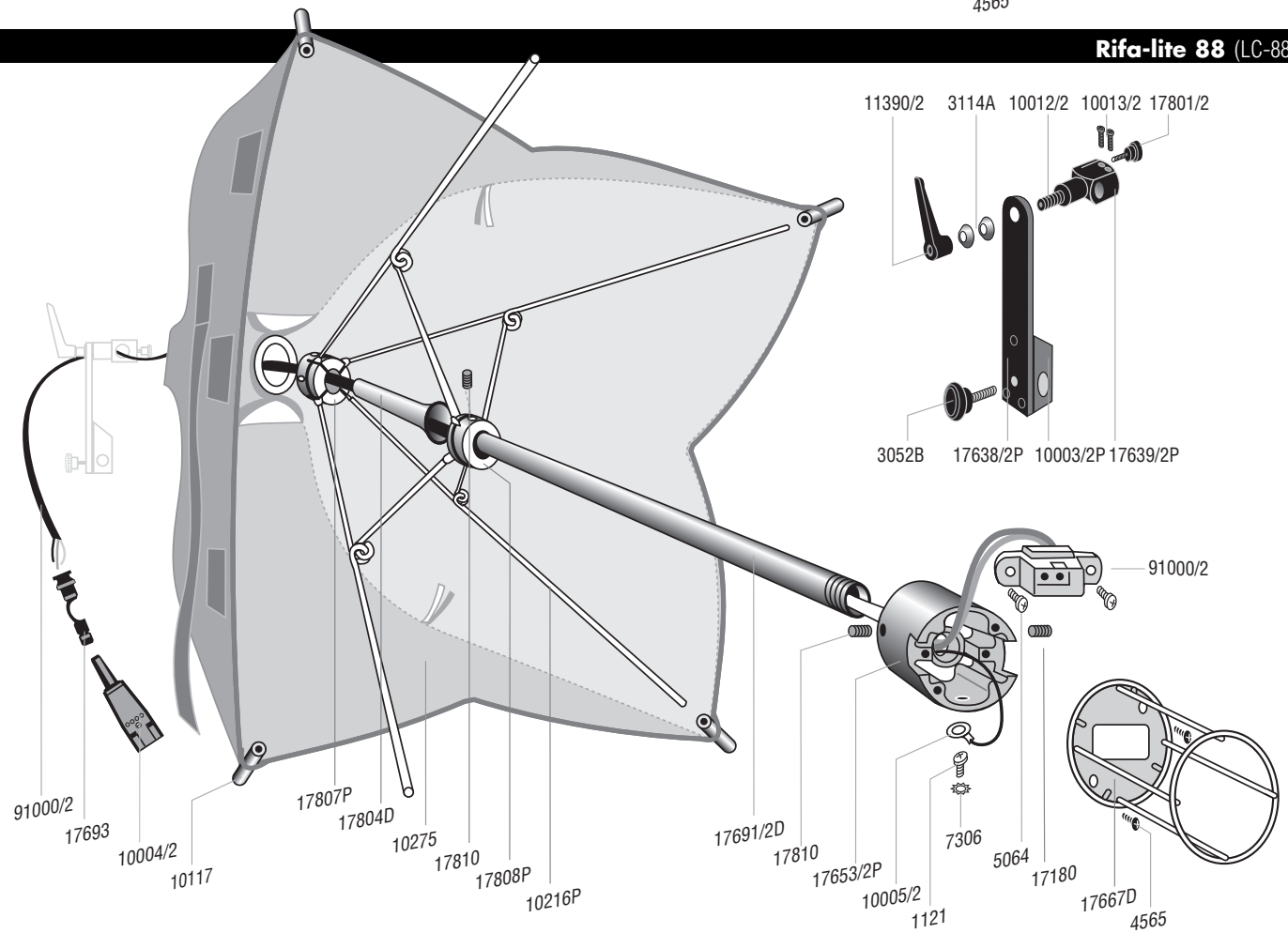
Rifa-lite 55 (LC-55)

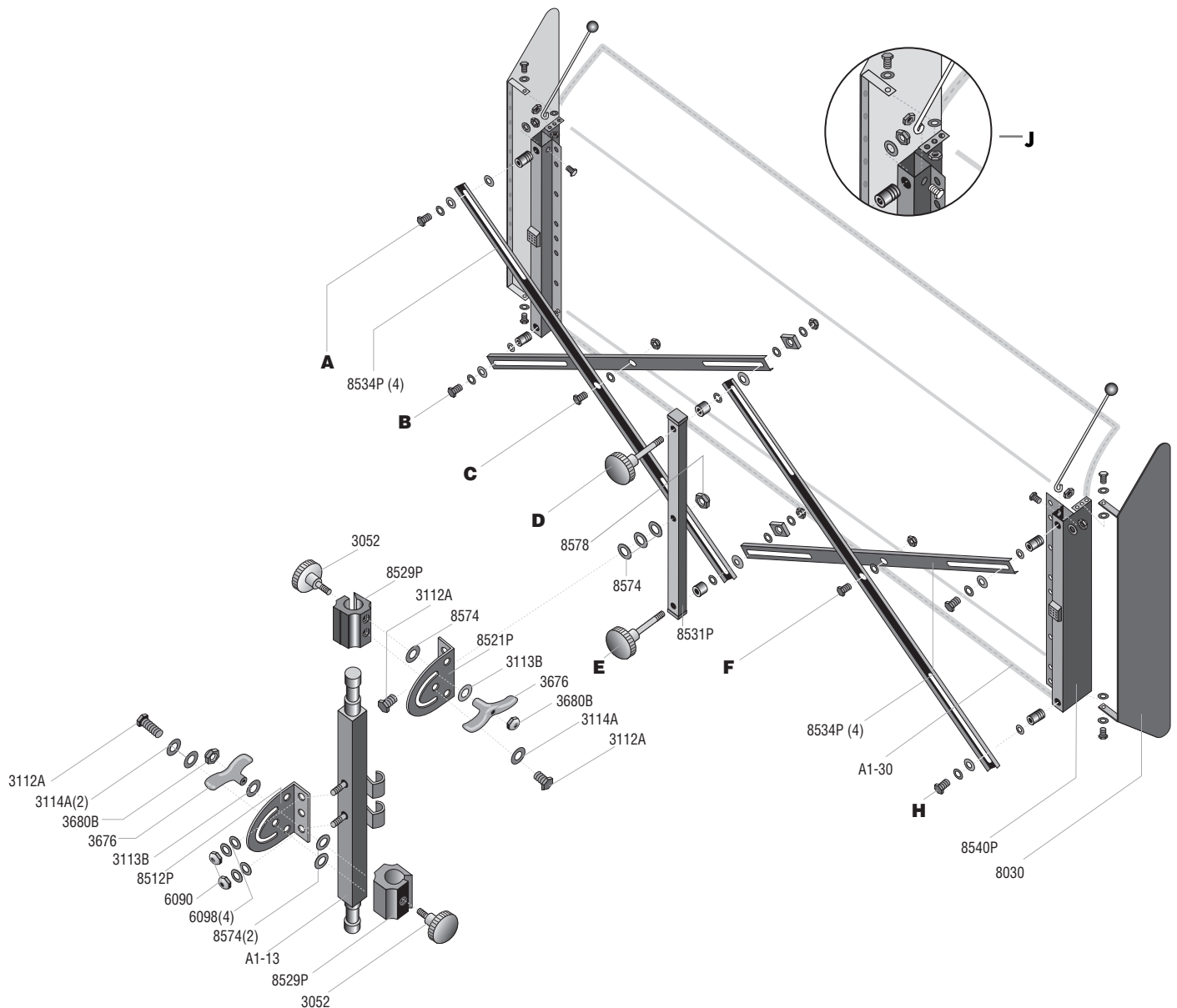


Rifa-lite 66 (LC-66)



Rifa-lite 88 (LC-88)





Light-Array Hardware Assembly Order

Lowel does not recommend out-of-factory repair of the electrical components in the Light-Array. If you should have trouble with your Light-Array, contact Lowel for repair information. If a qualified electrician chooses to fix the light, he or she does so at their own risk.

Label	8516
Socket	8542
Lamp clip	8543
Channel wire cover	8560A

Starting from the back of the head

Points A & H

1. Bolt	8579
2. Washer	4024
3. Washer	8584
4. X-frame channel	8534P
5. Washer	8584
6. Spacer C (two grooves)	8593P
7. Main channel	8540P
8. Washer	8584
9. Nut	6090

Points B & G 1-5, 7, 9 as above

6. Spacer B (one groove)	8592P
9. Washer (2)	8584

Points C & F

1. Bolt	8580
2. X-frame channel	8534P
3. Washer	3470
4. X-frame channel	8534P
5. Washer	6087
6. Nut	6090

Points D & E

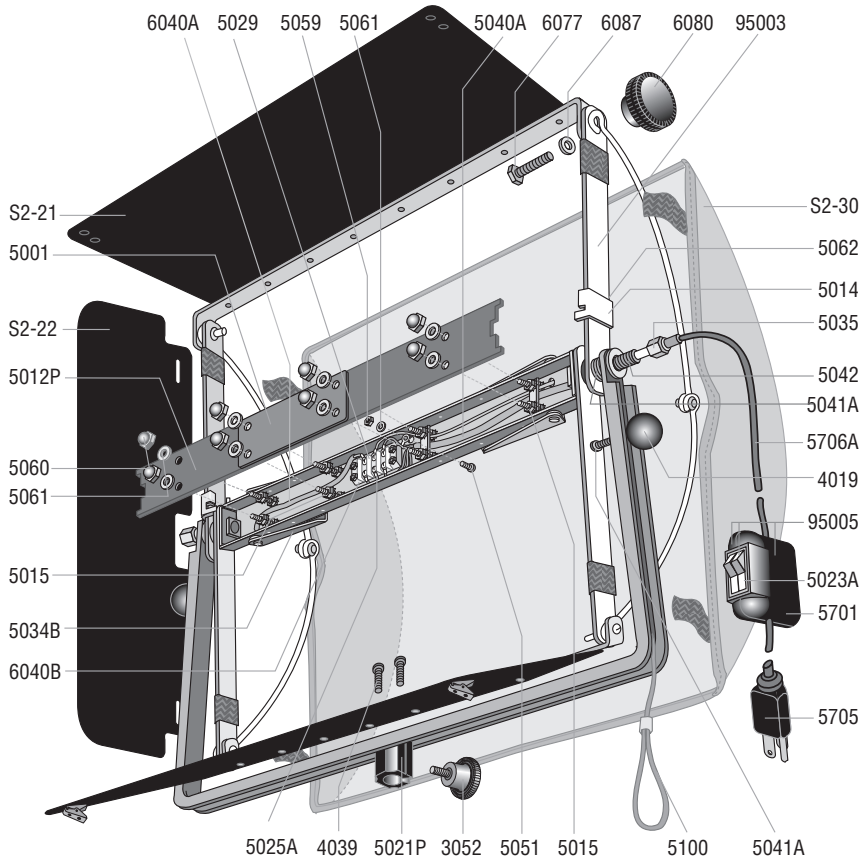
1. Female knob	8533
2. Stud	8522
3. Cross bar	8531P
4. Spacer A (no lines)	8591P
5. Washer	8584
6. X-frame channel	8534P
7. Washer	8576
8. X-frame channel	8534P
9. Washer	8584
10. Washer	4024
11. Square nut	8537B
12. Washer	4024
13. Nut	6090

Point F — see C, Point G — see B, Point H — see A, Point J

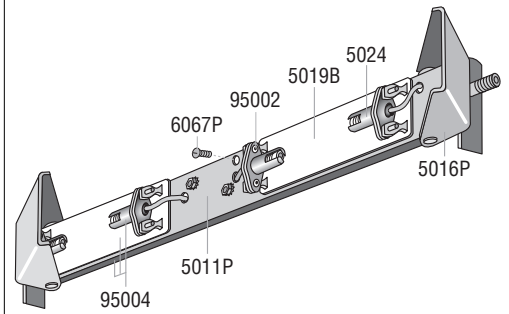
1. Bolt	8575
2. Main channel	8540P
3. Washer	6098
4. Tilt wire	8590
5. Washer	6098
6. Nut	7305

Softlight 2 & Lowel-light & L-light Systems

Softlight 2 (01-10)



Softlight 2 Sockets



Softlight Cases

Cases should be sent to Lowel for other repairs.

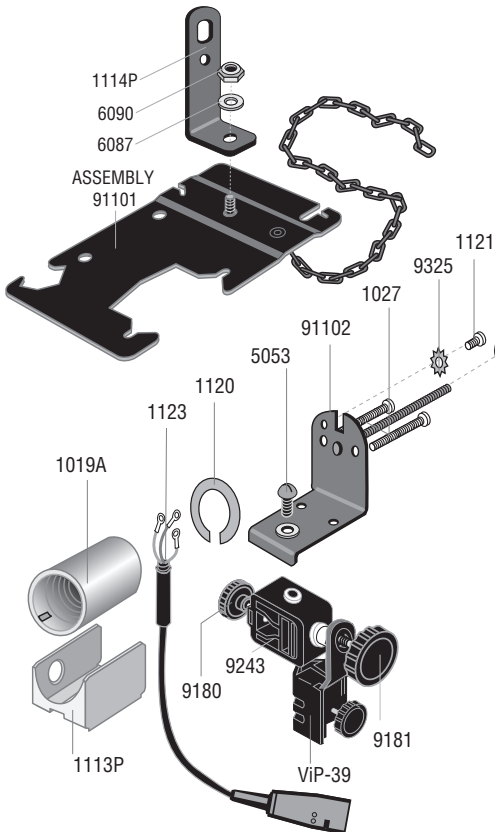
Multi and Softlight Cases

All case replacement handles 3877

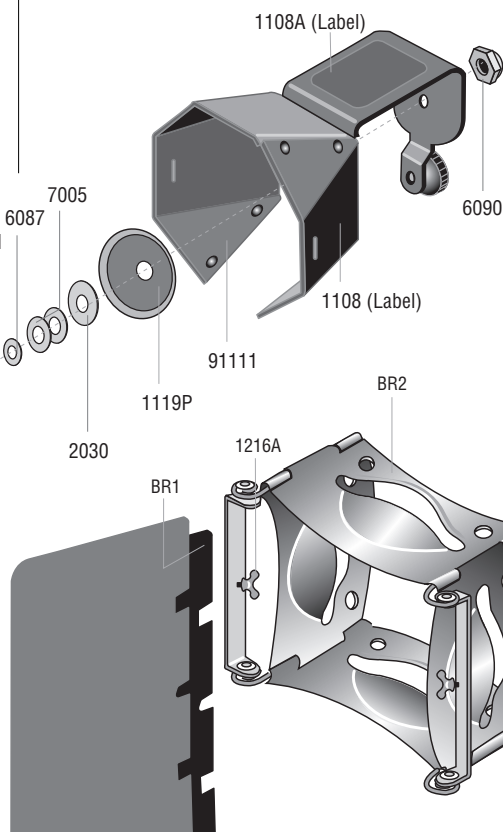
Softlight 2

The Softlight 2 is now 1500W max.

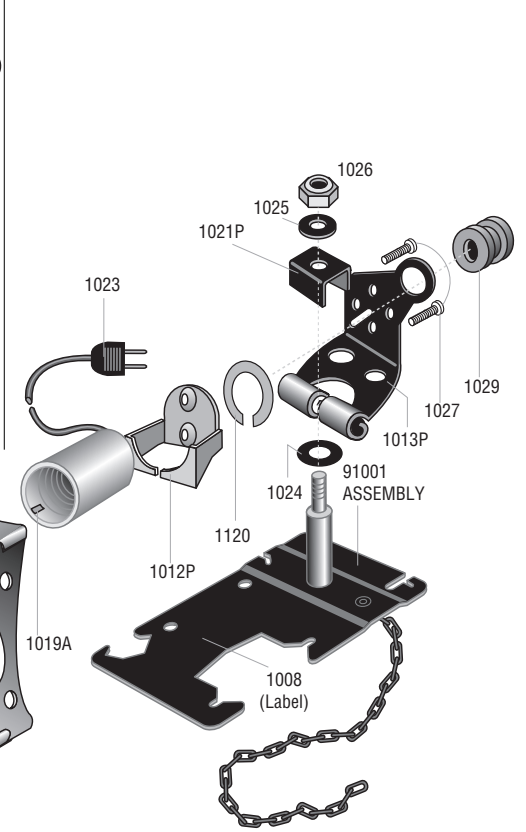
L-light Home-plate (L1-32)



L-light (L1-10)



Lowel-light (LL-1)

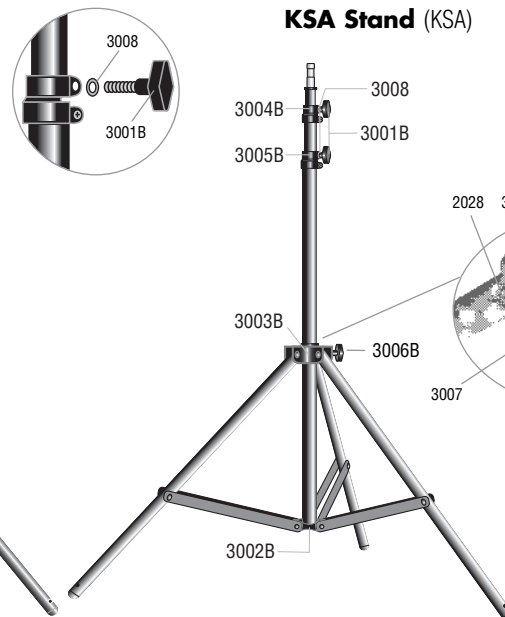


Stands, Poles &

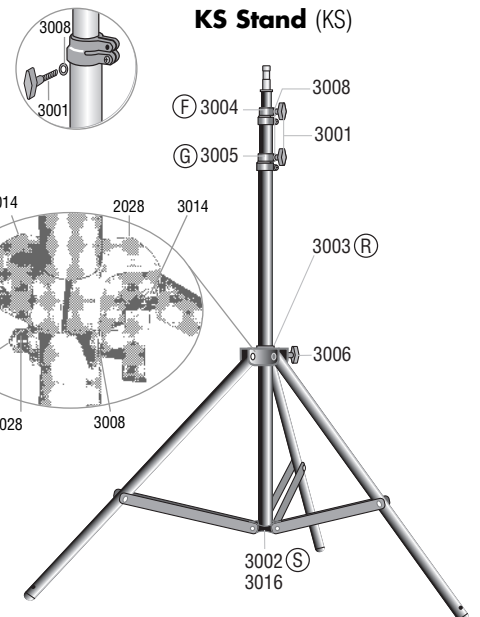
Grand Stand (GSA)



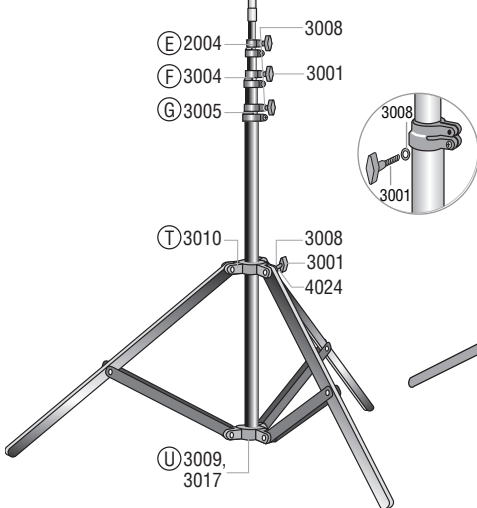
KSA Stand (KSA)



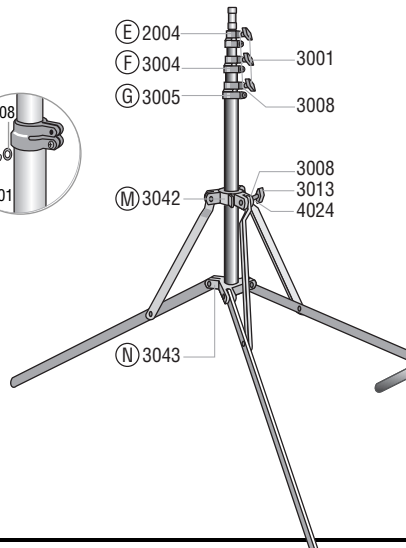
KS Stand (KS)



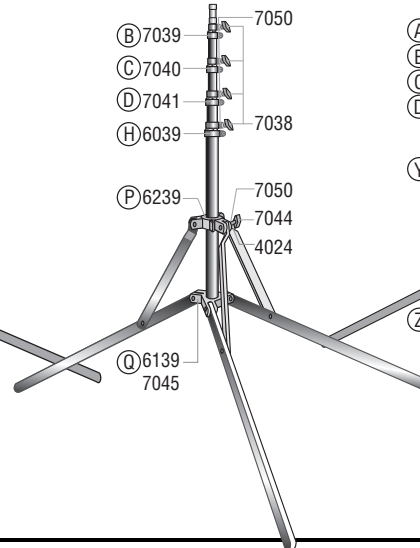
KS Jr Stand (KSJR)



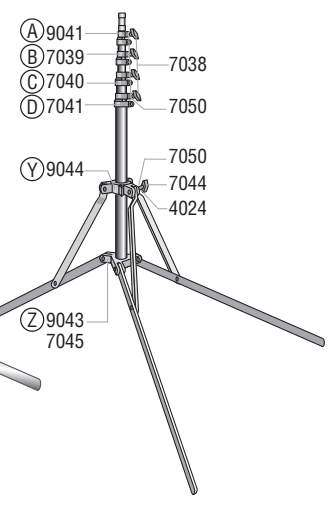
Uni Sr. Stand (UN-66)



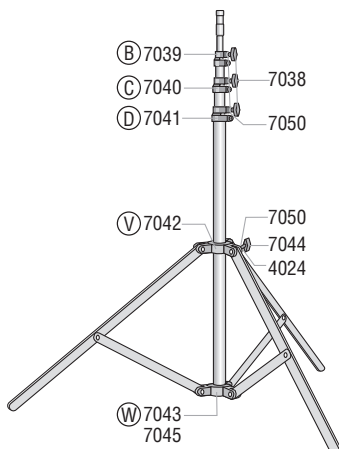
Uni TO Stand (UN-33)



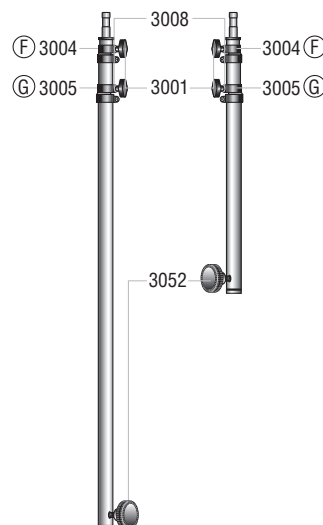
Uni-stand (UN-33)



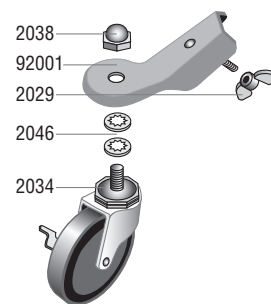
Omni Stand (01-33)



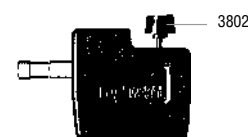
Full Pole (KP) and Half Pole (KPH)



Lowel Caster (LC)



Lowel Weight (LW)

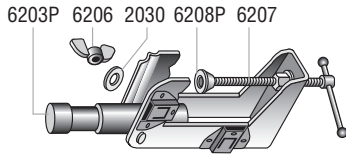


NOTES:

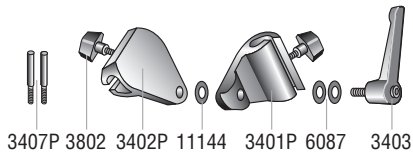
- 1.** Since mid-2000, most riser castings & leg castings on stands have been marked alphabetically to reduce confusion. When ordering, give both the listed part number and the letter as shown on the part.
- 2.** The Full Pole (KP) & Half Pole (KPH) have been updated to a 2 riser (3 section) model (as shown).
- 3.** The ViP Stand has been discontinued. Replacement knobs may still be ordered. The part number is 9266.

Clamps & Mounts

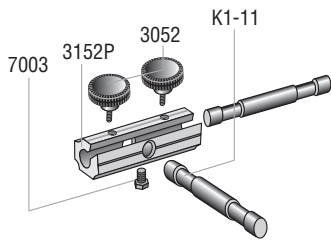
Tota-clamp (T1-30)



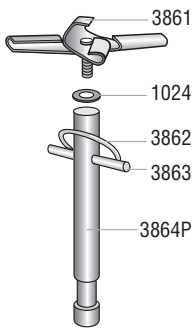
Missing Link (ML-10)



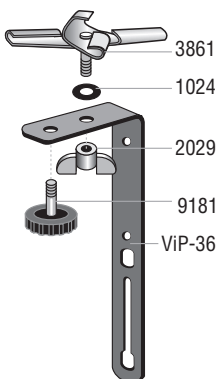
Interlink (K1-10)



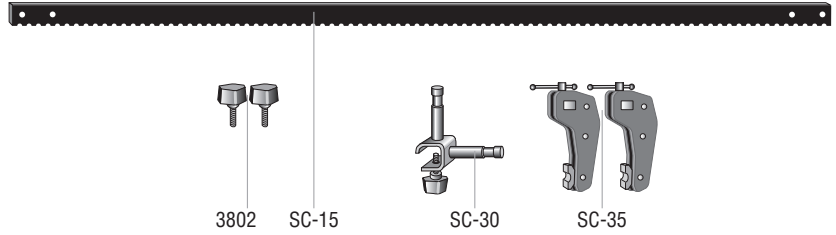
Scissor mount (CM-20)



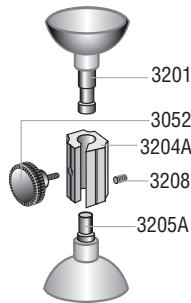
Gridlock (CM-21)



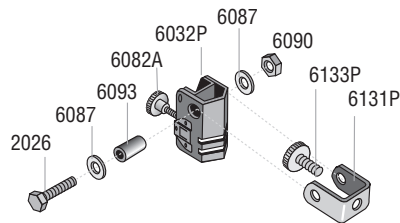
Space Clamp (SC-10)



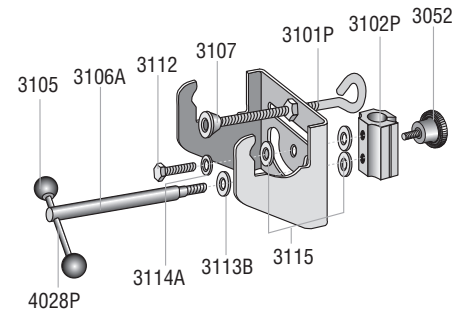
Ceiling Link (KCL)



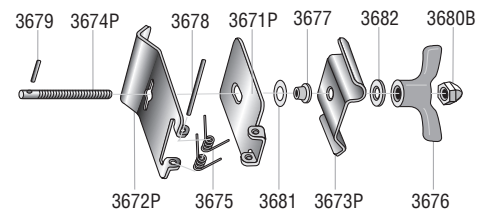
Tota-tilter (T1-36)



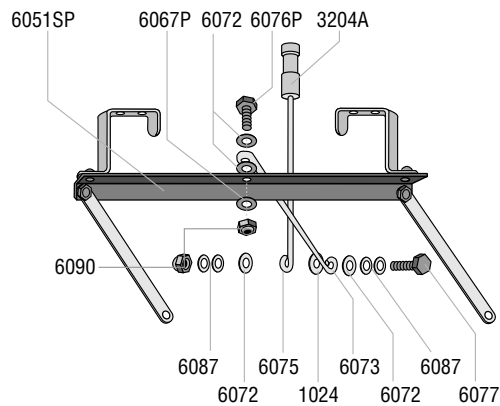
Grip (KG)



Lobo (F1-30)

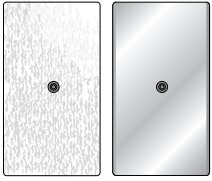


Tota-mount (T1-32)



Lobo Arm (F1-40)
The Lobo arm is not repairable.

Lightflector (LFT)



Check with Lowel.
See also Tota-tilter.

Tota-flag (T1-52)



Tota-flector (T1-54)



The Tota-flag and Tota-flector are not repairable.

Brellas

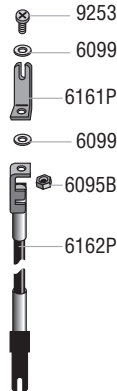
Brellas are not repairable.



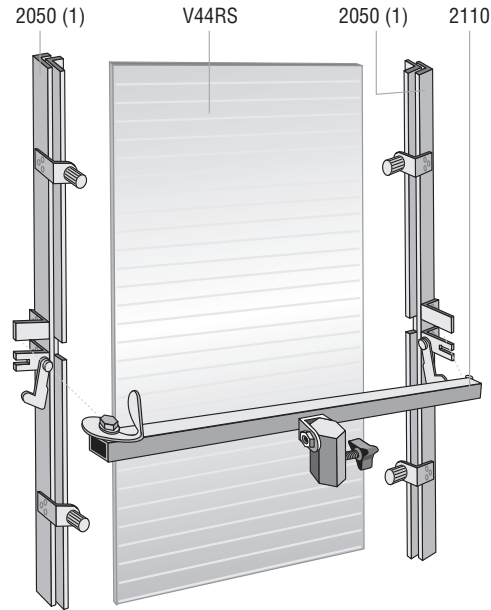
Tota Brella-cover plastic sleeve	6751
DP Brella-cover plastic sleeve	6753

Flexi-shaft (T1-50)

The fixed end is not repairable.

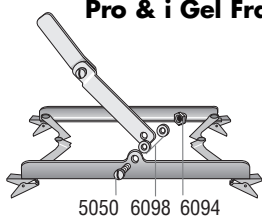


Variflector (V44A)



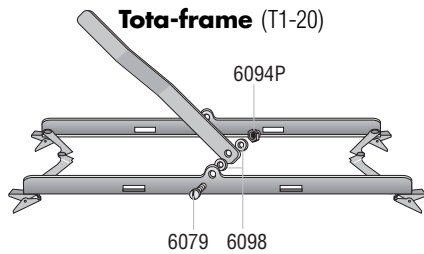
Gel Holders & Flags

Pro & i Gel Frame (iP-40)



5050 6098 6094

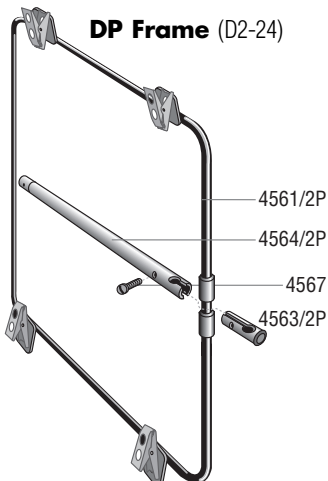
Tota-frame (T1-20)



6094P

6079 6098

DP Frame (D2-24)



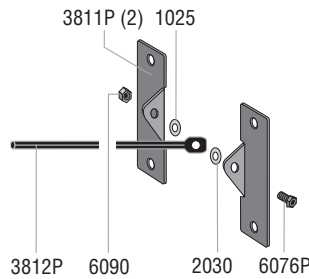
4561/2P

4564/2P

4567

4563/2P

Maxamount (CM-10)



3811P (2) 1025

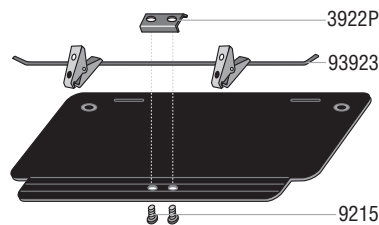
3812P

6090

2030

6076P

Tota-shade (T1-21)



3922P

93923

9215

Other Repairs

Contact us for more information on the following Lowel products:

- Lowel Fluo-Tec studio fluorescent
- e-studio fluorescent
- LowelScandles fluorescent
- Caselite fluorescent
- Lowel Ego
- Lowel Hard & Soft Cases



Warranty

Limited Warranty

Lowel-Light Manufacturing, Inc. ("Lowel") warrants that its products (other than those products which by their nature are consumed), under normal use in accordance with operating instructions, will perform to the specifications published by Lowel at the time of purchase, for the following periods, from the date of purchase by the consumer:

Five Years

with respect to stands and poles;

Two Years

with respect to lighting fixtures only;

One Year

with respect to all other products (other than those which by their nature are consumed).

Lowel warrants that its products which by their nature are consumed, such as gels and gaffer tape, under normal use in accordance with instructions for use, will perform to the specifications published by Lowel at the time of purchase.

In the event of a defect reported by the consumer within the applicable time period, if any, Lowel will, at its option, replace or repair the defective merchandise at no charge to the consumer for either parts or labor.

The consumer should be aware that Lowel does not manufacture lamps and therefore makes no warranty with respect to these products. However, the warranty of the manufacturer of such products, if any, shall be assigned to the consumer if permitted by such manufacturer.

Repairs and Replacement Parts

If Lowel shall, upon the request of the consumer, install, alter, modify, or repair any Lowel product, or component thereof, then Lowel shall warrant such product or component from the date of such installation, alteration, modification, or repair, in accordance with the specifications published by Lowel at such date, for the applicable time period, if any, for such product or component, and under the conditions, limitations, and procedures set forth in this warranty. Lowel will not be responsible for any loss, damage or expense of any kind resulting from the installation, alteration, modification or repair of any Lowel product by any entity other than Lowel.

Procedure

In order to make a claim under the above warranty, the consumer must, within the applicable time period, if any, bring or send, postage paid, the defective product and proof of purchase (or, if applicable, proof of installation, alteration, modification, or repair by Lowel) to the consumer's Lowel dealer or to the Lowel Factory at 140 58th Street Brooklyn, NY 11220-2552.

Warranty Exclusion

THIS WARRANTY IS THE ONLY WARRANTY MADE BY LOWEL WITH RESPECT TO LOWEL PRODUCTS AND LOWEL DISCLAIMS ALL WARRANTIES OF MERCHANTABILITY AND FITNESS FOR A PARTICULAR PURPOSE AND ANY LIABILITY WITH RESPECT TO SAME WHETHER IN CONTRACT, TORT OR OTHERWISE. IN NO EVENT SHALL LOWEL BE LIABLE FOR LOST PROFITS, OR ANY CONSEQUENTIAL DAMAGES INCURRED BY THE CONSUMER.

Some states do not allow limitations on how long an implied warranty lasts, and some states do not allow the exclusion or limitation of incidental consequential damages, so the above limitation may not apply to you.

General

This warranty gives you specific legal rights, and you may also have other rights which vary from state to state.

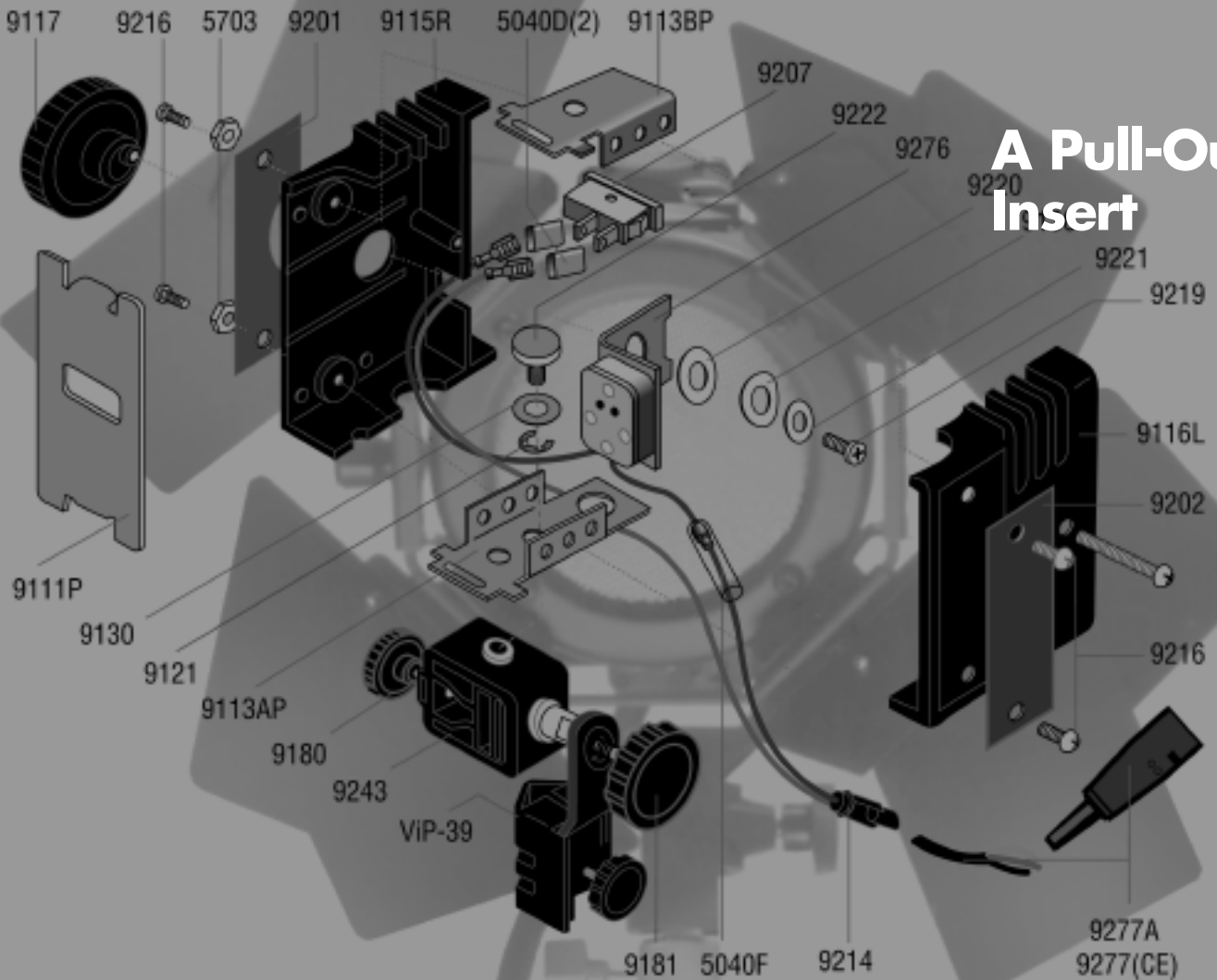
Trademarks

The Lowel-Light Mfg.Inc. signature and logo, as well as the following, are trademarks of Lowel-Light Manufacturing, Inc.: Lowel Omni-system, Lowel Omni-light, Lowel Tota-system®, Tota-light®, Lowel DP Light, Lowel Softlight 2, Lightflector, Variflector II, Frame-up and Lobo, Lowel Light-Array, Lowel ViP System, Lowel Pro-light, Lowel i-light, Lowel V-light, LowelDimmer, Caselite, LowelScandles, GO Kits, Missing-Link, and Fren-L 650; Lowel Gel File, Lowel Rifa-lite®, Tota-shade, Fin-S, Litebags, Core Kits, and Gel-jawz, Uni-stand, Uni Sr. Stand. This is only a partial list. It does not include all trademarks currently owned.



Lowel Parts Booklet Price List

A Pull-Out Insert



Parts



Code	Description	List US\$
1008	Lowel-light label	2.35
1012P	Socket support	12.98
1013P	Socket swivel	7.95
1019A	Socket	5.65
1021P	"U" bracket	1.75
1023	Cord set	6.50
1024	Washer	0.12
1025	Washer	0.16
1026	Lock nut	0.16
1027	Socket screw	0.04
1029	Grommet	0.50
1108	L-light label	1.75
1108A	L-light warning label	1.86
1113P	Socket support	9.35
1114P	M link	2.35
1119P	Washer	1.75
1120	Socket spacer	2.40
1121	Screw	0.12
1123	Cord set	13.50
1130P	Baffle Assembly	14.79
1216A	Wing nut	0.12
2004	Upper riser casting, blk [E] w/ knob 3001BL	7.50
2005	Leg washer	0.75
2006B	Upper collar GS	4.50
2007B	Second collar GS	4.90
2008B	Collar knob GS	3.60
2015	Leg knob	3.60
2016	Upper casting GS	6.75
2017	Lower casting GS	7.70
2018B	Casting knob GS	3.60
2026	Bolt	0.45
2028	Stop Nut	0.12
2029	Wing nut	0.60
2030	Washer	0.05
2034	Caster	15.25
2038	Cap nut	0.20
2046	Lockwasher	0.07
2050	Variflector Side Channels	225.00
2110	Crossbar	55.00
3001	Male knob	2.75
3001B	KSA knob in black	2.96
3002	Lower leg casting [S]	6.75
3002B	Lower leg casting, blk	7.50
3003	Upper leg casting [R] w/ knob 3006	9.75
3003B	Upper leg casting, blk w/ knob 3001 BL	10.00
3004	Upper riser casting [F] w/ knob, 3001	7.00
3004B	Upper riser casting w/ knob, blk	7.25
3005	Riser casting [G] w/ knob 3001	7.00
3005B	Riser casting [G] w/ knob 3001B for KSA	7.25
3006	Female knob	2.75
3006B	Female Knob (Black)	2.96
3007	Double Threaded Stud	2.59
3008	Washer	0.11
3009	Lower leg casting [U]	5.25
3010	Upper leg casting [T] w/ knob 3001	8.50
3013	Knob	2.59
3014	Hex Bolt	0.13
3016	Screw	0.05
3017	Screw	0.05
3042	Upper leg casting [M] w/ knob 3013	8.75
3043	Lower leg casting [N]	6.00

Code	Description	List US\$
3052	Knob	1.16
3052B	Knob	1.16
3101P	Lock bolt	2.45
3102P	Stand-fitting	6.50
3105	Knob	0.65
3106A	Link bolt	4.50
3107	Swivel	3.50
3112	Bolt	0.50
3113B	Washer	0.35
3114A	Washer	0.15
3115	Washer	0.12
3152P	Center stand-fitting	9.25
3201	Suction cup	3.75
3204A	5/8" stud	2.25
3205A	Short stud	2.15
3208	Set screw	0.16
3401P	Right side	23.65
3402P	Left Side	23.27
3403	M.Link Handle	8.24
3407P	Screw	2.44
3470	Spring washer	0.13
3671P	Clamp half	6.50
3672P	Clamp half	6.50
3673P	Accessory Clamp	2.75
3674P	Pivot bolt	1.50
3675	Torsion spring	0.61
3676	Knob	1.25
3677	Eyelet	0.12
3678	Spiral pin	0.18
3679	Spiral pin	0.15
3680B	Lock Nut	0.25
3681	Bowed washer	0.25
3682	Nylon washer	0.25
3682	Nylon washer	0.25
3683	Groove pin	0.55
3864P	Scissor stud	5.75
3922P	Clamp	2.57
4005	Spring	0.32
4006	Focus shaft	2.88
4007	Rubber washer	0.23
4012P	Front housing assembly	48.50
4015/2P	Rear Housing	29.75
4019	Knob	1.50
4021APB	Stand fitting	6.75
4022A	Switch	3.25
4024	Spring washer	0.10
4025A	DP Insulation	0.95
4026	Reflector retaining spring	2.15
4028P	Carriage posts	1.25
4034	Nut	0.05
4036	Cap screw	0.17
4037P	Handle nut	2.50
4038P	"D" hole washer	0.50
4039	Screw	0.08
4040	Screw	0.06
4045/2	Label	3.00
4046	Barrier shield	0.40
4047P	DP shield	2.50
4561/2P	Gel frame	40.00
4563/2P	Coupling clamp	2.96
4564/2P	Support tube	15.96
4565	Screw	0.23
4567	Screw	0.20
5001	Softlight 2 label	3.56
5011P	Core only	20.75
5012P	Core cover	8.50

Code	Description	List US\$
5014	Strut lock	3.50
5015	Strain relief	0.60
5016P	Lamp cover	6.75
5019B	Reflector	3.75
5021P	Standfitting	6.25
5023A	Switch insert	13.75
5024	Socket with lead	7.56
5025A	Insulation 13"	3.91
5029	Terminal block	3.10
5034B	Spacer nuts	0.08
5035	Lock nut	0.65
5040A	Insulation 10 1/2"	0.31
5040D	Sleeve	0.05
5040F	Sleeving 2 1/4"	0.05
5041A	Spring washer	0.65
5042	Washer	0.20
5045A	Washer	0.22
5045C	Washer	0.05
5050	Screw	0.05
5051	Screw	0.05
5052	Screw	0.05
5053	Screw	0.09
5059	Nut	0.07
5060	Cap nut	0.10
5061	Lock washer	0.05
5062	Strut lock spring	1.75
5064	Screw	0.10
5100	Cable tie complete	2.70
5701	Switch housing half	2.45
5703	Nut	0.13
5704	Butt splice	0.20
5705	Lower cord set	16.75
5706A	Upper cord set	28.75
5708	Switch jumper	0.50
6005P	Pivot rod	1.50
6007	Center reflector	4.10
6010	Tota label	1.75
6023	Door reflector	4.37
6032P	Tilter Stand Fitting	15.00
6037P	Nut	0.09
6039	Collar [H]	5.75
6040A	Insulation 10 1/2"	0.25
6040B	Insulation 4 1/2"	0.10
6040C	Insulation 3 1/8"	0.10
6045	Tota AC connector	6.10
6049	AC connector w/strain	7.25
6051SP	Universal angle bar steel	4.56
6057P	Door mount bracket	3.85
6066A	Door clip screws	0.07
6067P	Ground screws	0.05
6068	Center reflector screw	0.05
6072	Washer	0.05
6073	Double eye rod	0.90
6075	Threaded rod	0.90
6076P	Screw	0.25
6077	Cap screw	0.15
6079	Screw	0.07
6080	Knob	1.53
6082	Knob	1.53
6082A	Knob	1.17
6087	Washer	0.22
6090	Lock nut	0.40
6091P	Door clip	0.14
6093	Spacer	0.15
6094P	Nut	0.24
6095B	Nut	0.15
6098	Washer	0.15
6099	Washer	0.05
6131P	Tilt bracket	4.25
6133P	Knurled knob	2.75

Code	Description	List US\$
6139	Casting [Q]	4.35
6161P	Pivot blade	1.22
6162P	Pivot base	1.45
6203P	Clamp stud	3.75
6206	Wing nut	0.25
6207	Clamp screw	2.10
6208P	Swivel	1.75
6209	Washer	0.03
6239	Casting [P]	7.45
6751	Tota-brella cover	3.00
6753	DP-brella cover	3.50
7001	Screw	0.07
7003	Cap screw	0.10
7004	Tension nut	0.17
7005	Washer	0.11
7006	Screw	0.07
7007	Washer	0.20
7009	Reflector index tab	1.25
7010P	Inner housing	21.75
7011P	Outer housing (w/o labels)	23.50
7020P	Focus shaft assembly	7.25
7021	Socket support pin	0.05
7022A	Socket retainer	1.43
7026	Reflector retaining spring	1.72
7027	Knob	1.25
7030	Washer	1.19
7033P	Bracket nut plate	1.50
7035	Connector shield tape	0.41
7037A	Ground lead	0.95
7038	Male knob	2.25
7039	Upper riser casting [B] w/ knob 7038	5.50
7040	Middle riser casting [C] w/ knob 7038	5.50
7041	Lower riser casting [D] w/ knob 7038	5.50
7042	Upper leg casting [V] w/ knob 7044	7.25
7043	Lower leg casting [W]	4.50
7044	Lower knob	2.25
7045	Screw	0.05
7046	Baffle adjusting screw	0.10
7047A	Receptacle shield	0.40
7049	Ring terminal	0.12
7050	Washer	0.10
7302	Stud retainer	0.14
7303	Wing stud	0.86
7305	Nut	0.17
7306	Lock washer	0.05
8030	Array Barndoor	78.04
8500	Ballast (each)	105.00
8509	Array ballast cable	36.15
8513	Strain relief	0.35
8515	Power cord	37.50
8516	Label	4.25
8520	Strain relief	0.21
8521P	Tilter Angle	5.75
8522	Locking stud	4.21
8529P	Stand fitting	6.75
8531P	Cross bar	14.35
8533	Female knob	2.45
8534P	X-frame channel	28.50
8537B	Square nut	1.30
8540P	Main channel	28.50
8542	Socket	2.10
8543	Lamp clip	1.28
8560A	Wire cover	10.50
8574	Washer	0.40
8575	Bolt	0.07
8576	Washer	0.60

Code	Description	List US\$
8578	Lock nut	0.30
8579	Bolt	0.16
8580	Bolt	0.25
8584	Washer	0.09
8590	Tilt wire	1.05
8591P	Spacer A	1.58
8592P	Spacer B	1.76
8593P	Spacer C	1.85
9041	Upper riser casting [A]	5.50
9043	Lower leg casting [Z] w/ knob 7038	4.75
9044	Upper leg casting [Y] w/knob 7044	8.00
9101	Front plate	2.50
9102	Spacer	2.40
9103	Pro / i spacer ring	3.84
9105	Spacer plate	2.50
9111P	Housing cover plate	1.05
9113AP	Long retainer	2.10
9113BP	Short retainer	2.15
9115R	Right rear housing	5.75
9116L	Left rear housing	5.75
9117	Focusing knob	3.65
9121	Retaining ring	0.05
9122	Spacer	0.25
9123	Spacer	0.25
9126	Lock release knob	2.25
9128	Clip for knob 9126	0.08
9130	Bowed washer	0.54
9135	Barndoor frame knob spring	0.21
9137B	Locking angle	0.51
9148	Lockwasher	0.09
9153R	Spring	2.90
9157	Barndoor frame knob	1.22
9163	Safety screen for CE version	1.58
9180	Knob (small)	1.30
9181	Knob (large)	1.58
9201	Pro focus label (right side)	1.56
9202	Pro warning label (left side)	1.15
9203	Bushing	1.05
9204	Retaining ring	0.12
9207	Switch	2.15
9214	Pro-light strain relief	0.10
9215	Screw	0.13
9216	Screw	0.09
9217	Screw	0.11
9219	Screw	0.14
9220	Washer	0.27
9221	Washer	0.25
9222	Screw	1.15
9223	Reflector/glass retainer	2.50
9243	UMB assembly (w/knob)	9.80
9253	Screw	0.15
9259	Belleville washer	0.34
9276	Pro socket carriage (w/socket)	8.50
9277A	4' Pro AC cable (for model P2-10)	7.75
9277CE	4' Pro AC cable (for model P2-10CE)	11.45
9278	Front end assembly (rear section)	7.50
9283P	Flaglink stamping w/flex lock	3.10
9284	Screw	0.95
9310	Wire segment assembly	0.96
9312	i-light cable (no plug)	8.50
9313	i-light cable (w/cigarette plug)	18.00
9314	i-light cable (w/4 pin XLR plug)	20.00

Parts



Code	Description	List US\$
9318	i-light cable (w/Anton Bauer plug)	27.00
9325	Lockwasher	0.10
9330	i-light/id lamp holder	2.50
9331	i-light/id lamp carriage	2.20
9332	Lamp spring	1.95
9333	Terminal	0.25
9334	i-light/id focus label (right side)	1.00
9335	i-light/id warning label (left side)	1.00
9344	Screw	0.30
9345	Nut	0.10
9348	12v cig lighter plug for I/id	5.64
9360	Dim circuit board + knob	105.00
9361	id-light Dimmer Label	2.55
9372	Dimmer knob	2.10
9402	Protective Screen (CE)	4.87
9403	Screw	0.13
9404	V-light fuse	0.39
9405	V-light cable	9.50
9405E	V-light Cable (CE)	10.78
9407	V-light label	1.50
9410	V-light Label (CE)	2.45
9411	V-light Warning Label (CE)	1.33
9412	V230 Warning label	2.45
9413	V-light glass tube	5.76
9418	V upper reflector flap	5.00
9419	V lower reflector flap	5.00
9426	Main V housing	18.50
9427	Rear cover	6.00
9428	V-light socket assembly (w/o contact)	14.95
9429	V lamp socket contact only	3.50
9430	Fuseholder assembly	1.25
9432	Reflector trough	2.50
9433	V-light door hinge	0.80
9435	Teflon insulator tube	0.70
9456	Stamping	0.70
9457	Bracket	1.25
9462	Strain relief	0.35
9464	Wire assembly	1.25
9465	Wire assembly	1.25
9472	Screw	0.10
9473	Screw	0.10
9474	Screw	0.10
9476	Lockwasher	0.10
9480	Retaining ring	0.10
9489	Wire assembly	1.15
9490	Terminal block	1.55
10003/2P	Stand fitting	18.52
10004/2	IEC connector	9.98
10005/2	Terminal	0.21
10012/2	Screw	0.53
10013/2	Screw	0.11
10016P	LC-55 rib	20.30
10017	LC-55 tips	1.33
10075	LC-55 shell	145.00
10080	Carry Bag for LC55	14.75
10116P	LC-66 rib	21.98
10117	LC-66 & 88 tips	1.44
10175	LC-66 shell	170.00
10180	Carry Bag for LC66	15.75
10216P	LC-88 rib	22.68
10275	LC-88 shell	185.00
10280	Carry Bag for LC88	16.75
10414	Support Tube	13.83
10416P	LC-44 Ribs Finished	18.20
10417	LC-44 Upper Collar	8.05
10419	Tip for LC-44 Shell	1.51

Code	Description	List US\$
10420P	Stand Fitting Block	8.40
10421	Knob	0.81
10422	Stand Mount	25.03
10423	Set Screw	0.50
10424	Socket Head Screw	0.16
10425	Adj. Clamping Lever	8.02
10426	Bel Washer	0.19
10427	Frame Tube	6.83
10475	LC-44 Shell	90.09
10480	Carry Bag for LC44	14.75
11000AP	Main frame	153.16
11000B	Front frame assembly	114.77
11000CP	Top assembly	37.84
11002	Lens	34.13
11003P	Back Cover	23.49
11004P	AC backing plate	1.16
11005	Lens support	0.32
11006	Reflector	13.51
11007	Lens shield	1.72
11008P	Lens cover	10.68
11009	Reflector Support	14.70
11011	Focus pin gear	2.17
11012	Bearing plate	1.33
11015	Key washer	6.92
11016	Focus shaft	7.39
11017	Cam	2.45
11019	Hinge rod	0.32
11020P	Back Shield	4.52
11021	Knob	4.01
11023	Lens spring	1.72
11025	Socket	14.21
11026	Screw	0.07
11027P	Yoke cap	3.19
11029	Bolt	0.39
11030	Bolt	1.58
11032	Screw	0.14
11035	Lock nut	1.05
11036	Screw	0.07
11037	Washer	0.35
11039	Washer	1.05
11103P	Yoke casting	33.78
11125P	Handle spacer	1.68
11133	Bushing	0.42
11142	Washer	0.37
11143	Washer	0.39
11144	Washer	0.21
11390/2	Handle lever	9.63
11558	V-light Fuse (CE)	0.49
17501P	Rifa Bar	17.10
17638/2P	Stand mount bkt.	11.03
17639/2P	Stand mount block	20.20
17653/2P	Housing	27.51
17667D	Protective cover	12.04
17691/2D	Support tube	18.20
17694/2	Strain relief	0.46
17801/2	Locking knob	0.88
17804D	Frame Tube	12.18
17807P	Upper collar	8.68
17808P	Lower collar	6.27
17810	Screw	0.10

Assemblies



Code	Description	List US\$
91000/2	Rifa cable & socket assembly	57.14
91001	Lowel-Light base plate	16.60
91101	Home-plate base	16.60
91102	Socket support	3.75
91111	Lamp baffle assembly	14.78
92001	Caster adaptor stamping	10.75
93923	Rod Assembly	9.07
94002	DP socket carriage assembly	22.50
94007	DP handle complete	9.50
94010	DP accessory clamp	6.50
95002	Softlight 2 lamps socket w/support	9.77
95003	Softlight 2 strut assembly	22.50
95004	Softlight 2 core (w/socket & refl.)	55.50
95005	Softlight 2 switch complete	19.50
96001	Tota outer shell (w/o knob)	9.80
96002	Tota/Omni stand fitting (w/knob)	8.50
96003	Tota shell cover	7.50
96004	Tota complete bottom door	15.00
96006	Tota complete top door	15.00
96008	Tota inner shell (w/sockets)	16.50
96009	Inner shell only (w/o elec.cover sockets)	5.50
97002	Omni gel-brella bracket (w/knob)	13.00
97003	Omni lamp socket (w/shields)	14.00
97005	Omni stud bracket	2.38
97007	Omni complete handle	12.64
97008	Omni AC connector (w/shields)	7.50
97009	30V battery connector (2-pin Amphenol)	30.00
99360	i-light cable assembly w/retainer	18.00
99380	id-light cable assembly w/retainer	18.00
911007	Handle assembly	17.64
911009	Reflector support assembly	42.30
911018	Locking stud assembly	5.92
94000/2	Rifa 44 Cable & socket assembly	57.00

Products*



Code	Description	List US\$
CM-10	Maxa-mount	
CM-20	Scissor-mount (2)	
CM-21	Gridlock (Scissor-mount w/L-link)	
D2-15	DP Light #1 Reflector	
D2-17	DP Light #3 Reflector	
D2-19	DP Light Protective Screen	
D2-20	DP Light Complete Barndoor	
D2-21	DP Light Barndoor Frame	
D2-22	DP Light Rectangular Leaf for Barndoor	
D2-23	DP Light Triangular Leaf for Barndoor	
D2-24	DP Frame	
F1-30	Lobo	
F1-40	Lobo Arm	
FR1-19	Safety Screen	
FR1-20	Set of 4 Barndoor leaves	
FR1-22	Rectangular leaf (1)	
FR1-23	Triangular leaf (1)	
FR1-25	Fren-L 650 Accessory Gel-brella bracket	
GT-12	Gaffer Tape (12 yds.)	
GT-30	Gaffer Tape (30 yds.)	
i-82	4-pin XLR Connector	
i-85	Cig Lighter Cable	
i-86	Anton Bauer Tap	
iP-14	iP Retrofit Kit	
iP-17	#2 Reflector for Pro and i	
iP-20	i-Pro 4-Way Barndoor	
iP-21	i-Pro Barndoor Frame	
iP-22	i-Pro Rectangular Leaf	
iP-23	i-Pro Triangular Leaf	
iP-24	i-Pro Fixed Leaf	
iP-30	i-Pro Swing-in Accessory Holder	
iP-40	Pro & i Gel Frame	
iP-49	i-Pro Clear Glass	
iP-52	i-Pro Prismatic Glass	
iP2-18	i-Pro Front End #2 Reflector and Prismatic Glass	
iP2-19	i-Pro Front End #2 Reflector and Clear Safety Glass	
K1-10	Interlink	
K1-11	Double Male 5/8" Stud	
KCL	Ceiling Link	
KG	Grip	
LC-30	Rifa Balance Bar	
LC-44D	Front diffuser Rifa LC-44	
LC-44EC/30	30 deg. Egg Crate for LC-44	
LC-44EC/40	40 deg. Egg Crate for LC-44	
LC-44EC/50	50 deg. Egg Crate for LC-44	
LC-55D	Front diffuser Rifa LC-55	
LC-55EC/30	30 deg. Egg Crate for LC-55	
LC-55EC/40	40 deg. Egg Crate for LC-55	
LC-55EC/50	50 deg. Egg Crate for LC-55	
LC-66D	Front diffuser Rifa LC-66	
LC-66EC/30	30 deg. Egg Crate for LC-66	
LC-66EC/40	40 deg. Egg Crate for LC-66	
LC-66EC/50	50 deg. Egg Crate for LC-66	
LC-88D	Front diffuser Rifa LC-88	
LC-88EC/30	30 deg. Egg Crate for LC-88	
LC-88EC/40	40 deg. Egg Crate for LC-88	
LC-88EC/50	50 deg. Egg Crate for LC-88	
LFT	Large Lightflector w/Filter	
ML-10	Missing Link	
O1-15	Omni Reflector #1	
O1-16	Omni Reflector #2	
O1-17	Omni Reflector #3	
O1-19	Omni-light Protective Screen	
O1-20	Omni Complete Barndoor	
O1-21	Omni Barndoor Frame	
O1-22	Omni Rectangular Leaf	
O1-23	Omni Triangular Leaf	
O1-81	Omni 5' 30V Cable	
O1-82	Omni-Pro Cigarette Adaptor Plug (for model P1-10)	
P1-80	12' Extension Cable (for model P1-10)	
P1-81	2-pin Amphenol 1' Adaptor Cable (for model P1-10)	
P1-82	4-pin XLR 1' Adaptor Cable (for model P1-10)	
SC-10	Space-clamp	
SC-15	Large Space Clamp Bar	
SC-30	Space Clamp Stud Bracket	
SC-35	Space Clamp Clamping Arm	
SS-10	Air Cushioned Shoulder Strap	
T1-19	Tota-light Protective Screen	
T1-20	Tota-frame	
T1-21	Tota-shade (1)	
T1-30	Tota-clamp	
T1-32	Tota-mount	
T1-36	Tota-tilter	
T1-50	Flexi-shaft (2)	
T1-52	Tota-flag	
T1-54	Tota-flector	
T1-80	Tota-Omni 16' Cable	
T1-801	Tota-Omni Eurocord 16' (5m)	
V44RS	Variflector Replacement Panel	
VIP-36	L-link	
VIP-37	Low-link	
VIP-38	Stud-link	
VIP-39	Stand-link	
VIP-41	Cam-link	
VIP-50	ViP Flag-link	

* Products:

The products above, along with some others, are available directly from Lowel as an accommodation. Check with your Lowel Dealer first. See current Lowel Price list for prices.

Lowel Parts Booklet

If You Need Parts or Repair Service...

Lowel Service: 800-334-3426

Ordering Parts

Check with your Lowel Dealer to determine if they have stock of the needed items. If not, Lowel can ship parts from our Factory. We make every effort to ship parts within a few days. Lowel parts are available only in limited quantities for the purpose of maintaining and repairing Lowel equipment. Price and availability are subject to change without notice.

Repairs

Some Lowel Dealers can repair our equipment. If your dealer is not able to handle repairs, send or bring your Lowel equipment to our Brooklyn Factory along with a description of the problem. Please include your daytime phone number. We will charge on a time and materials basis and will not undertake repairs that rival new equipment costs. Requests for quotes will necessarily delay repairs.

Payment

for Parts or Repair Service can be made with Visa, MasterCard, or American Express credit cards, as well as by check or Money Order.

Lowel recommends against doing your own electrical repairs unless you are a qualified electrician.

For Lowel Limited Warranty, see pg 11.

Lowel Parts Order Form

Lowel Fax: 718-921-0303

Copy this form to fax a credit card order or to mail with payment.

Name _____ Daytime Phone _____ e-mail address _____

Address _____

Shipping Address (if different from Billing Address) _____

Payment type: Check Money Order Visa American Express MasterCard
 Card # _____ Expiration Date _____

Quantity	Part Number	Description	Unit Price	Amount
_____	_____	_____	_____	_____
_____	_____	_____	_____	_____
_____	_____	_____	_____	_____
_____	_____	_____	_____	_____
_____	_____	_____	_____	_____
_____	_____	_____	_____	_____
_____	_____	_____	_____	_____
_____	_____	_____	_____	_____
_____	_____	_____	_____	_____
_____	_____	_____	_____	_____

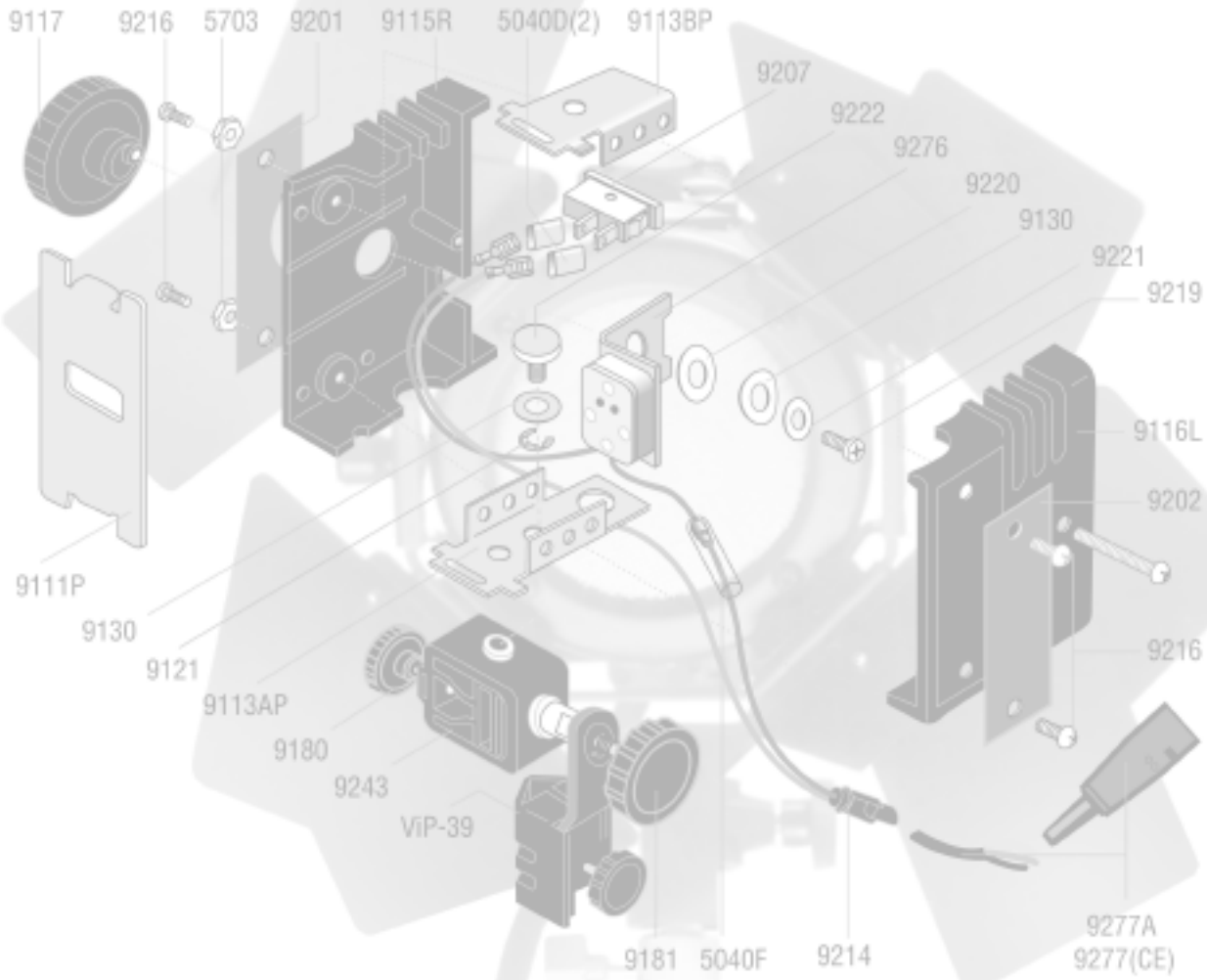
U.S. Shipping Charges: (U.S. \$)
 0-15.00=4.00
 15.00-50.00=7.00
 50.00-100.00=9.00
 100.00+=12.00
 Normal delivery 3-7 days to U.S. destinations, no P.O. boxes.
 For overnight delivery add 15.00 to shipping charges.
 For 2nd day delivery add 7.00 to shipping charges.

Add Shipping Total _____
 (see chart)
Add Tax: 8.25% (NY) _____

Prices, specifications and products are subject to change, w/o notice.
 All prices are US suggested list prices. Possession of Lowel-Light Manufacturing Inc. catalogs, price lists, and supplemental materials is not in and of itself an offer to sell.



Lowel-Light Manufacturing, Inc.
 140 58th Street, Brooklyn, N.Y. 11220
 Call: 800 334-3426 / 718 921-0600
 Fax: 718 921-0303
 e-mail: info@lowel.com
www.lowel.com



Lowel-Light Manufacturing, Inc.
140 58th Street, Brooklyn, N.Y. 11220
Call: 800 334-3426 / 718 921-0600
Fax: 718 921-0303
e-mail: info@lowel.com
www.lowel.com

