



# Hard & Soft Cases

from printed catalog 2006

for most current info, visit [www.lowel.com](http://www.lowel.com)

Click on an icon to go to that page

**Cases** pp. 44-49

**Hard Cases** pp. 44-47



**Soft Cases** pp. 48, 49  
& **Lampaks**



## Multi-system Hard Cases w/ Movable Partitions

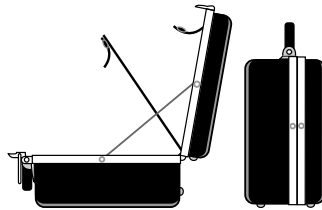
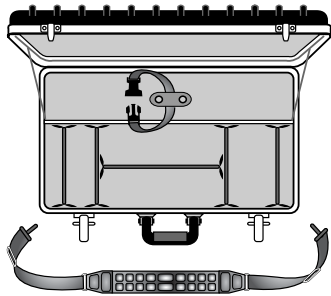
The 4 Lowel Hard Cases shown here are the most functional & popular in our line. The addition of movable velcro partitions brings a greater degree of packing flexibility to kit arrangement. All have ribbed exteriors for extra strength, and hinged lids. A permanent length-wise partition separates lights from stands and movable velcro partitions allow custom placement options.

Some larger cases have been updated with heavy-duty recessed wheels & spring-loaded pulling handles. Most smaller cases come with air-cushion padded adjustable shoulder straps. GO-85, TO-83, O1-86Z & TO-84Z cases all offer maximum versatility when combining ViP, Tota/Omni & smaller Rifa systems. Consult individual cases for number of lights, stands & accessories they can hold.

### GO 85 Case

**Code:** GO-85  
**Size:** 23.75 x 13.5 x 7"  
 (60.3 x 34.3 x 17.8 cm)  
**Weight:** 10.3 lbs (4.7 kg)

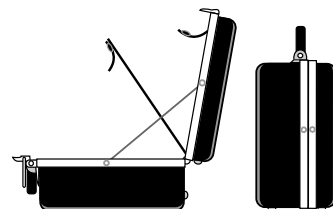
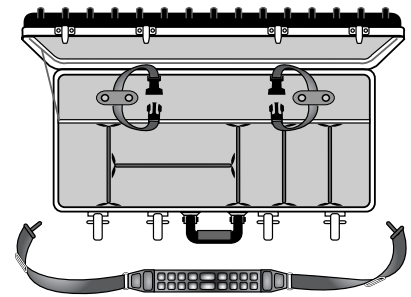
- High impact molded polyethylene case, hinged lid, with padded shoulder strap (SS-10).
- Holds 4 Omni-lights or 4 Tota-lights, or combinations which can also include Rifa 44, Pro & V-lights, plus 4 Uni or Uni TO stands (one possible partition arrangement shown).
- Includes the following partitions:  
 2 GO-02 (7.75 x 4")  
 3 GO-03 (4.5 x 4")  
 1 GO-04 (3 x 4")  
 1 GO-05 (22.75 x 4")  
 1 LB-07 (11.5 x 3.5")



### Tota/Omni 83 Case

**Code:** TO-83  
**Size:** 29.5 x 13 x 7"  
 (74.9 x 33 x 17.8 cm)  
**Weight:** 11.5 lbs (5.2 kg)

- High impact molded polyethylene case, hinged lid, with padded shoulder strap (SS-10).
- Compact case more efficiently stores Tota/Omni-lights, Omni-stands and accessories.
- Permanent length-wise partition separates lights from stands.
- All others are movable partitions.
- Accepts the Omni stand.
- Holds 4 Omnis or 4 Totas or combinations which can also include Rifa 44, 55, or 66, Pro & V-lights, plus 4 Omni-stands, with room for accessories (one possible arrangement shown).
- Includes the following partitions:  
 1 GO-02 (7.75 x 4")  
 3 GO-03 (4.5 x 4")  
 2 GO-04 (3 x 4")  
 1 LB-07 (11.5 x 3.5")  
 1 TO-01 (29.25 x 4")

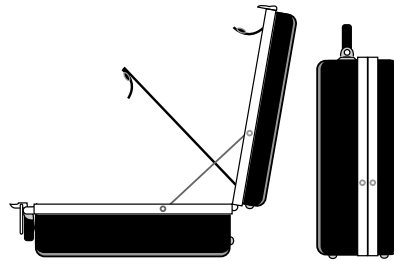
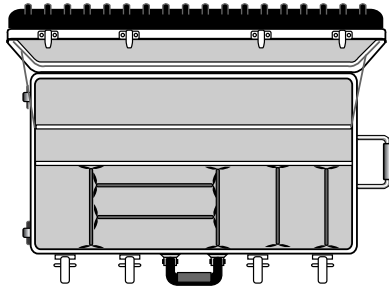


Multi-system Hard Cases w/ Movable Partitions

**Tota/Omni 84 Case**

**Code:** TO-84Z  
**Size:** 29.5 x 17 x 7"  
 (74.9 x 43.2 x 17.8 cm)  
**Weight:** 15 lbs (6.8 kg)

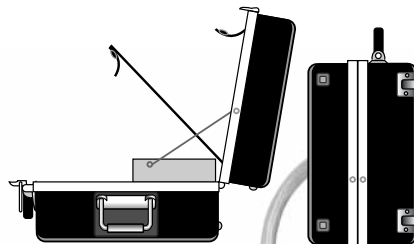
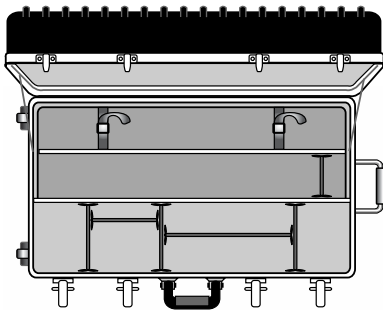
- High-impact molded polyethylene case, hinged-lid.
- Updated with recessed wheels & pull handle.
- Holds 4 Omni-lights and 2 Totas or 2 Omni-lights and 6 Totas, or a combination of Pro & V-lights, plus Rifa 44, 55, or 66 and 4 or 5 Omni-stands, plus some accessories (one possible partition arrangement shown).
- Includes the following partitions:  
 2 GO-02 (7.75 x 4")  
 4 GO-03 (4.5 x 4")  
 2 GO-04 (3 x 4")  
 1 TO-01 (29.25 x 4")



**Omni 86 Case**

**Code:** O1-86Z  
**Size:** 29.5 x 17 x 9.75"  
 (74.9 x 43.4 x 24.8 cm)  
**Weight:** 17.5 lbs (8 kg)

- High-impact molded polyethylene case, hinged lid.
- Holds 4 Omni-lights and 4 Totas, 1 Rifa 44, 55, or 66, plus 6 Omni-stands; or 4 Omni & 2 KS Jr. Stands, and lots of accessories.
- Updated with recessed wheels & handle.
- Includes the following partitions:  
 7 GO-01  
 2 GO-02  
 3 GO-03  
 2 LB-07



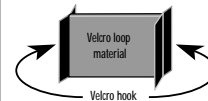
Movable Velcro Partitions for Lowel Hard Cases

Movable Velcro Partitions for Lowel Hard Cases

Can be used in various combinations for customizing placement of lights & accessories in GO-85, TO-83, TO-84Z, & O1-86Z.

All have velcro hook material flaps to lock to loop material on case inside walls.

Codes:	
GO-01	6 x 4"
GO-02	7.75 x 4"
GO-03	4.5 x 4"
GO-04	3 x 4"
GO-05	22.75 x 4"
LB-04	19.25 x 4"
LB-05	22 x 4.5"
LB-06	7.5 x 4.5"
LB-07	11.5 x 3.5"
TO-01	29.25 x 4"



Wheels & Handles

Several of our larger cases are now equipped with a spring-loaded handle and recessed rolling wheels. These include the Tota/Omni 84, Omni 86, Multi Case & Big Scandles Case. They make transporting some of our larger kits a little easier, especially through airports.



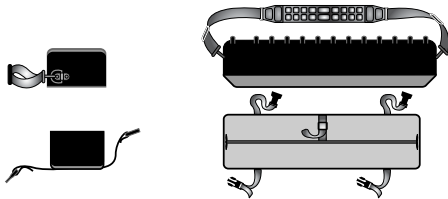
## Tube Cases

Long, narrow, and easy to sling over the shoulder, some have removable lids & adjustable straps which can allow the case to become "telescopic" in height, to hold more equipment. All Tube Cases come with air-cushion padded adjustable shoulder straps. Consult individual cases for number of lights, stands & accessories they can hold.

### V Shoulder Case

**Code: V-85**  
**Size:** 23.5 x 6.25 x 6.25"  
 (59.6 x 15.9 x 15.9 cm)  
**Weight:** 4.75 lbs (2.2 kg)

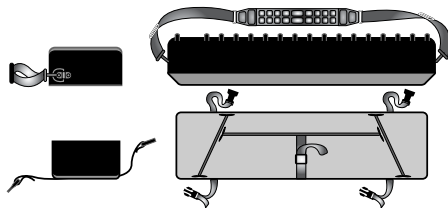
- High impact molded polyethylene case, with padded shoulder strap (SS-10).
- Includes the following partition: 1 LB-05.
- Separate lid and adjustable straps allow height variation (7.5" max.).
- Holds 2 V-lights or Rifa-44, & Uni or Uni TO stands, and some accessories.
- Can be carried on-the-shoulder or in-hand.



### ViP Shoulder Case

**Code: ViP-86**  
**Size:** 30.75 x 8.5 x 6.5"  
 (78.1 x 21.6 x 16.5 cm)  
**Weight:** 7.25 lbs (3.3 kg)

- High impact molded polyethylene case with padded shoulder strap (SS-10).
- Separate lid and adjustable straps allow height variation (7.5" max.).
- Holds 2 V-lights and 2 Pro or i-lights (or 4 V-lights), 4 Uni-stands and accessories.
- Can be carried on-the-shoulder or in-hand.
- Includes the following movable velcro partitions: 1 LB-04, 2 LB-06

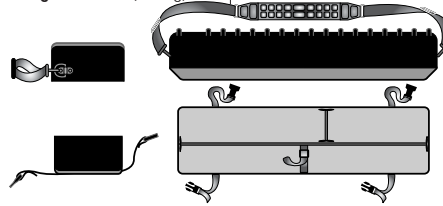


### Tube Case

**Code: T1-82**  
**Size:** 30.75 x 8.5 x 6.5"  
 (78.1 x 21.6 x 16.5 cm)  
**Weight:** 7.5 lbs (3.4 kg)

- High-impact molded polyethylene case with padded shoulder strap (SS-10).

- Separate lid and adjustable straps, allow height variation (7.5" max.).
- Holds 4 Totas; 3 Omni-stands & a few accessories.
- Can be carried on-the-shoulder or in-hand.
- Includes the following velcro partitions: 1 GO-04 (3 x 4") 1 TO-01 (29.25 x 4")

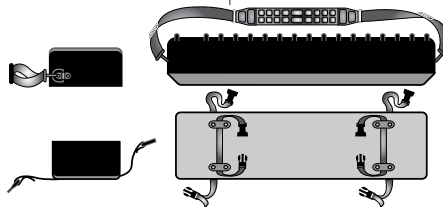


### Rifa Small Tube Case

**Code: R1-82**  
**Size:** 30.75 x 8.5 x 6.5"  
 (78.1 x 21.6 x 16.5 cm)  
**Weight:** 6.5 lbs (3 kg)

- For Rifa 44, 55 & 66s.
- High impact, molded polyethylene case.
- Padded shoulder strap (SS-10).

- Separate lid and adjustable straps allow height variation (7.5" max.).
- Holds 2 Rifas or Rifa & 1 stand (Uni, TO, Omni, or KS Jr.), plus some accessories.
- Can be carried on the shoulder or in hand.

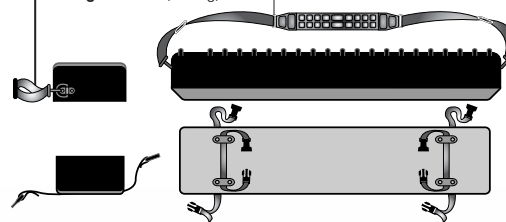


### Rifa Large Tube Case

**Code: R1-83**  
**Size:** 37.75 x 8.5 x 6.5"  
 (95.9 x 21.6 x 16.5 cm)  
**Weight:** 7 lbs (3.2 kg)

- For use with Rifa 88 & smaller.
- High impact, molded polyethylene case.
- Padded shoulder strap (SS-10).

- Separate lid and adjustable straps allow height variation (7.5" max.).
- Holds 2 Rifas or 1 Rifa & 1 KS Stand plus accessories.
- Can be carried on the shoulder or in-hand.



System-specific Hard Cases

Designed specifically for use with certain Lowel lighting systems, these have rigid partitions, positioned to allow most efficient placement of fixtures, accessories & stands. Some also have accessory foam inserts for a more secure fit. Some smaller cases come with air-cushion padded adjustable shoulder straps. Consult individual cases for number of lights, stands & accessories they can hold.

**Multi Case**

**Code:** MCSEM  
**Size:** 37.5 x 17.75 x 9"  
 (95.3 x 45.1 x 22.9 cm)  
**Weight:** 19 lbs (8.6 kg).

**Fren-L Multi Case**

**Code:** MCSEF  
 Same as MCSEM with 3 Fren-L Foam inserts.

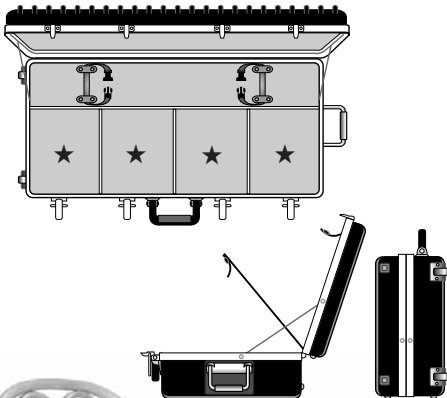
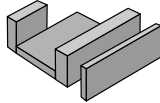
**Rifa Multi Case**

**Code:** MCSER  
 Same as MCSEM but with lengthwise partition only (no short partitions) to hold 4 Rifas (88 or smaller) and 4 stands (KS or smaller).

- High impact, molded polyethylene case, hinged lid.
- Holds Fren-L 650s (with optional foam inserts); holds 4 DPs or 4 Fren-L 650s, & 4 KS Stands.
- Recessed wheels & spring loaded handle.

**Fren-L Foam Insert for MCSEM & DT-84M**

**Code:** MCSE4  
**Size:** 8.5 x 3.25 x 8"  
 (21.6 x 8.3 x 20.3 cm)  
**Weight:** 2.5 oz (71 g)  
 Fits into sections marked with ★



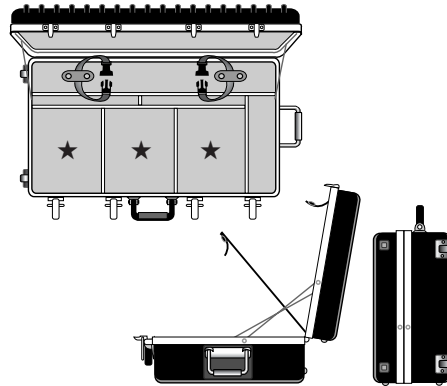
**DP3 Case**

**Code:** DT-84M  
**Size:** 29.5 x 17 x 9"  
 (74.9 x 43.2 x 22.9 cm)  
**Weight:** 15.25 lbs (6.9 kg)

**DP3 Fren-L Case**

**Code:** DTF-84  
 Same as above with 3 Fren-L Foam inserts.

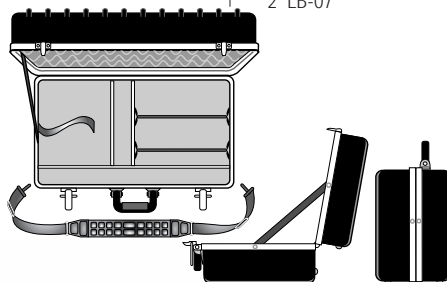
- High impact molded polyethylene case, hinged lid.
- Holds 3 Fren-L 650s or 3 DPs, 2 Tolas, plus 4 KS Jr. Stands & accessories.
- Recessed wheels & spring loaded handle.



**DP-Uni Case**

**Code:** DT-83  
**Size:** 23.8 x 13.5 x 10.8"  
 (60.4 x 34.3 x 27.3 cm)  
**Weight:** 10 lbs (4.6 kg)

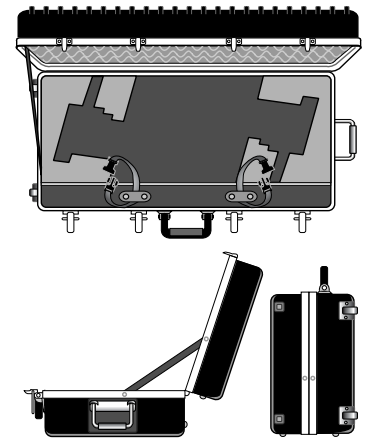
- High impact molded polyethylene case with hinged lid.
- Padded shoulder strap (SS-10).
- Holds 2 Totas, & 1 DP Light, or 2 DP Lights, plus Uni TO Stands, and some accessories.
- Includes the following partitions: 2 LB-07



**Big Scandle Case**

**Code:** LSF-82  
**Size:** 37.5 x 17.8 x 10.8"  
 (95.3 x 45.1 x 27.3 cm)  
**Weight:** 21 lbs (9.6 kg)

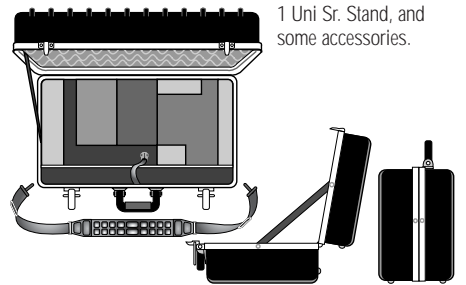
- High impact polyethylene molded case with hinged lid, recessed wheels and rolling handle.
- Holds 2 Lowel Scandles lights in foam insert, plus 2 collapsible cone reflectors & diffusers, 2 KS Jr. Stands, and some accessories.



**Small Scandle Case**

**Code:** LSF-81  
**Size:** 23.8 x 13.5 x 10.8"  
 (60.4 x 34.3 x 27.3 cm)  
**Weight:** 9.5 lbs (4.3 kg)

- High impact molded polyethylene case with hinged lid.
- Padded shoulder strap (SS-10).
- Holds 1 Lowel Scandles light in foam insert, plus collapsible cone reflector & diffuser, 1 Uni Sr. Stand, and some accessories.



Multi Case (MCSEM)



DP3 Case (DT-84M)



DP-Uni Case (DT-83)  
 Small Scandle Case (LSF-81)

Big Scandle Case (LSF-82)

## Lowel Litebags™

Our original Small & Large Lowel Litebags have velcro partitions for easy versatile arrangement, and a cushioned shoulder strap for comfortable carrying.

For soft case kits with just Rifas, try the Small & Large Rifa Litebags. They're all a cost effective solution, if you're traveling light.

### Small Litebag Soft Case

**Code:** LB-30

**Size:** 23 x 10.5 x 6.75"  
(58.4 x 26.7 x 17.2 cm)

**Weight:** 4.25 lbs (1.9 kg)

- Made of polyester with vinyl coated backing.
- Padded shoulder strap (SS-10).
- Accepts Rifa-44, 2 Pro-lights & 2 V-lights (or 4 Pro-lights), 3 Uni or Uni TO Stands, or 2 Omni-lights, 3 Uni-stands, or 1 Omni, 2 Tota-lights, 3 Uni-stands.

### Supplied partitions:

- 2 LB-05
- 1 GO-01
- 2 GO-02
- 1 LB-07
- 4 LB-06

- Storage pocket in lid.

### Large Litebag Soft Case

**Code:** LB-35

**Size:** 30.5 x 11.5 x 8.5"  
(77.5 x 29.2 x 21.6 cm)

**Weight:** 5.7 lbs (2.6 kg)

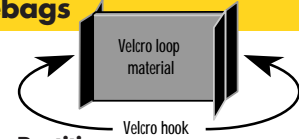
- Made of polyester with vinyl coated backing.
- Padded shoulder strap (SS-10).
- Accepts Rifa 44 or 55, 2 Totas, 2 Omnis (or 4 Omnis), 4 Omni-stands & accessories or 3 DPs & 3 KS Jr. stands.

### Supplied partitions:

- 2 LB-08
- 3 GO-03
- 1 GO-04
- 2 GO-02
- 2 LB-07
- 3 LB-09

- Storage pocket in lid.

### Partitions for these Lowel Litebags



#### Single Partitions

##### Codes:

GO-02	7.75 x 4"	
GO-03	4.5 x 4"	
GO-04	3 x 4"	
LB-05	22 x 4.5"	
LB-06	7.5 x 4.5"	
LB-07	11.5 x 3.5"	
LB-08	29 X 6"	
LB-09	7.75 x 6"	

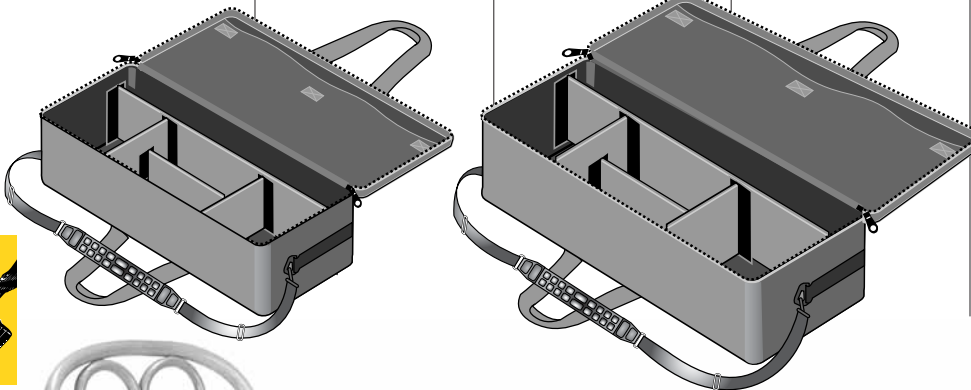
#### Padded Strap

**Code:** SS-10

**Size:** Maximum length  
47" (118 cm)

**Weight:** 8oz (227g)

- Air-cushioned strap adjustable length.
- Fits certain hard cases & Lowel Litebags.



Small Litebag Carry Case (LB-30)

Large Litebag Carry Case (LB-35)



Rifa Litebags

Small Rifa Litebag

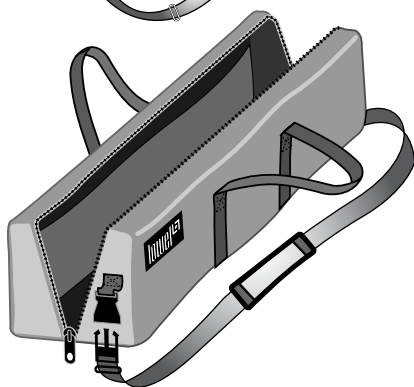
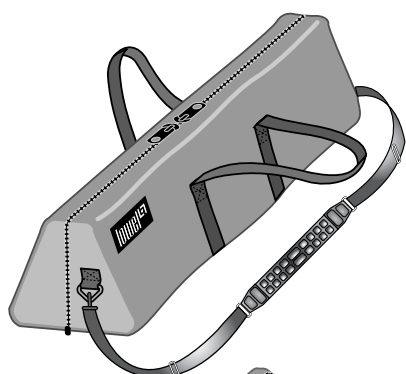
**Code:** LB-45  
**Size:** (trapezoid shape)  
 29.5 x 8 x 8.25"  
 (75 x 21.6 x 21.6 cm)  
**Weight:** 2.5 lbs (1.13 kg)

- Made of polyester with vinyl coated backing.
- Padded shoulder strap (SS-10).
- Accepts 2 Rifas (44 or 55) or 1 Rifa & 1 Uni, Uni TO, or Uni Sr. Stand
- Inside storage pockets.

Large Rifa Litebag

**Code:** LB-40  
**Size:** (trapezoid shape)  
 36.25 x 8 x 8.25"  
 (92 x 21 x 21.6 cm)  
**Weight:** 3.3 lbs (1.5 kg)

- Made of polyester with vinyl coated backing.
- Padded shoulder strap (SS-10).
- Accepts 2 Rifa-lites (88 or smaller) & 2 KS stands.
- Inside storage pockets.



Small Rifa Litebag (LB-45)

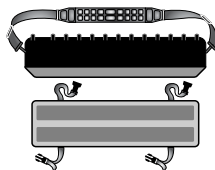
Large Rifa Litebag (LB-40)



Compact Fluorescent Lamp Case

**Code:** CL-85  
**Size:** 23.5 x 6.25 x 6.25"  
 (59.6 x 15.9 x 15.9 cm)  
**Weight:** 5 lbs (2.5 kg)

- High impact molded polyethylene case, with foam inserts & padded shoulder strap (SS-10).
- Separate lid and adjustable straps allow height variation (7.5" max.).
- Holds up to 6 T-55 lamps for Caselites.
- Can be carried on-the-shoulder or in-hand.



Hard plastic boxes keep lamps safe for storage and travel. Lampaks do not include lamps.

**Weight:** 3 oz (85 g)

ViP Lampak



**Code:** ViP-61  
 Stores several Pro, i and V lamps in foam filled plastic case (lamps not included).

Tota Lampak



**Code:** T1-61  
 Stores 5 Tota lamps in foam filled plastic case (lamps not included).

Omni Lampak



**Code:** O1-61  
 Stores 6 Omni lamps in foam filled plastic case (lamps not included).

Tota/Omni Lampak



**Code:** TO-61  
 Stores 2 Tota, 4 Omni lamps in foam filled plastic case (lamps not included).

Lampaks

DP/Rifa Lampak



**Code:** D2-61  
 Stores 4 DP/Rifa lamps in foam filled plastic case (lamps not included).

DP/Tota Lampak



**Code:** DT-61  
 Stores 2 DP and 2 Tota lamps in foam filled plastic case (lamps not included).

Fren-L Lampak



**Code:** FR1-61  
 Stores 3 Fren-L lamps in foam filled plastic case (lamps not included).

Gel Files

Tota/Omni Gel File

**Code:** GF-10  
**Size:** 11 x 13"  
 (27.9 x 33 cm)  
**Weight:** 7 oz (198 g)  
 Accepts 10 x 12" gels for Tota/Omni gel frame.

DP Gel File

**Code:** GF-15  
**Size:** 13.3 x 18"  
 (33.8 x 45.7 cm)  
**Weight:** 11 oz (312 g)  
 Accepts 12 x 16" gels for DP gel frame.

Standard Gel File

**Code:** GF-20  
**Size:** 21 x 25"  
 (53 x 63.5 cm)  
**Weight:** 1.7 lbs (771 g)  
 Accepts 20 x 24" industry standard sheet size gels.

