

# Introducing the Lowel SlimLight Interview Series

4 sleek new Run & Gun Kits that fit your needs and budget

Today's state of the art compact cameras let you travel light and work in low-light levels. But you still need to light, to make your subject stand out & shine against the back-ground, or to strike the right visual mood. The SlimLight Interview Series includes 4 new kit combinations, designed to give you versatile, creative lighting options in a sleek, easy to carry package.



Each kit contains a 200W Rifa eX 44 dedicated tungsten-halogen softlight, matched with either compact color mixing Lowel Blender LED(s), or focusable tungsten-halogen 200W Pro-light(s), plus Uni TO Stands, all in our popular Slim Litebag.



## SlimLight Rifa Blender 1 Kit

Code: SLK-941 ILB  
Weight: 14 lbs (6.4 kg)

Contains: 1 Rifa eX 44 complete (LC-44EX), 1 200W FVL lamp (FVL), 1 Lowel Blender complete (BLN-10), 2 Uni TO Stands (UN-55), 1 Rifa 44 Daylight Gel Set (LC-47), 1 ViP Lampak (ViP-61), 1 Slim Litebag (LB-24)



## SlimLight Rifa Blender 2 Kit

Code: SLK-9412LB  
Weight: 19 lbs (8.6 kg)

Contains: 1 Rifa eX 44 complete (LC-44EX), 1 200W FVL lamp (FVL), 2 Lowel Blenders complete (BLN-10), 3 Uni TO Stands (UN-55), 1 Rifa 44 Daylight Gel Set (LC-47), 1 ViP Lampak (ViP-61), 1 Slim Litebag (LB-24)



## SlimLight Rifa Pro 1 Kit

Code: SLK-942 ILB  
Weight: 14 lbs (6.4 kg)

Contains: 1 Rifa eX 44 complete (LC-44EX), 1 Pro-light complete (P2-10), 1 4-way Barndoor (iP-20), 2 200w FVL lamps (FVL), 2 Uni TO Stands (UN-55), 1 ViP Lampak (ViP-61), 1 Slim Litebag (LB-24)

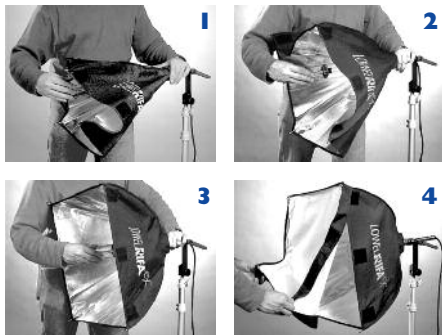


## SlimLight Rifa Pro 2 Kit

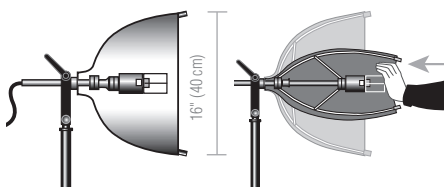
Code: SLK-9422LB  
Weight: 21 lbs (9.5 kg)

Contains: 1 Rifa eX 44 complete (LC-44EX), 2 Pro-lights complete (P2-10), 2 4-way Barndoors (iP-20), 3 200w FVL lamps (FVL), 3 Uni TO Stands (UN-55), 1 ViP Lampak (ViP-61), 1 Slim Litebag (LB-24)

## Lowel Rifa eX 44 Information



### 60 Second Umbrella-like Setup



**Code:** LC-44EX

**Front size:** 16 x 16" (40 x 40 cm)

**Collapsed length:** 21" (53 cm)

**Weight:** 2.1 lbs (1 kg) w/ 4' captive cable

**Max. wattage:** 300

**Max. amperage:** 2.5 at 120v

**Fits on:** 5/8" (1.59 cm) studs

**Switch:** inline

**U.S. Patents:** 459645, 7081001, 7153153

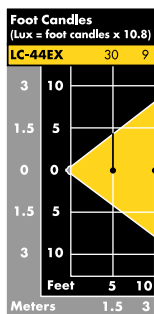
**Supplied Lamphed:** TH-X300



Rifa eX 44, with 4' captive cable, 16' switched #18/3 extending power cord (T1-80), light diffuser (LC-44D) and carrying sleeve.

### Performance

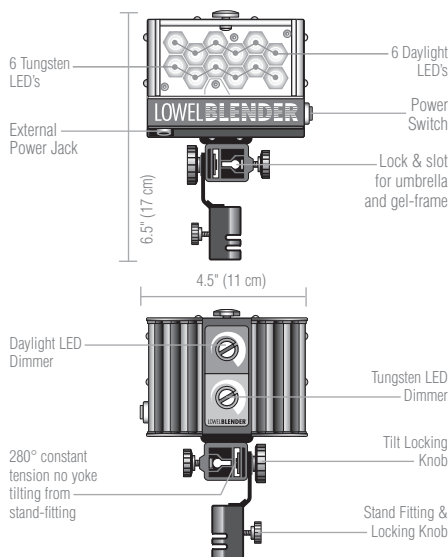
With 120v, 200w, 3200°K, FVL lamp



#### Beam angles

points at which intensity drops to 50% of maximum. Readings taken with Minolta CL-200 meter.

## Lowel Blender Information



**Code:** BLN-10

**Size:** 6.5 x 4.5 x 3.5", (17 x 11 x 9 cm)

**Weight less cable:** 2.5 lbs. (550 g)

**Max Wattage (AC):** 16 Watts, per fixture

**Max. amperage:** 1.25 - 3 amps per fixture, depending on input voltage

**Beam control:** Fixed focus LEDs with accessory diffusers to vary quality

**Fits on:** 5/8" (1.59 cm) studs

**Switch:** in-head

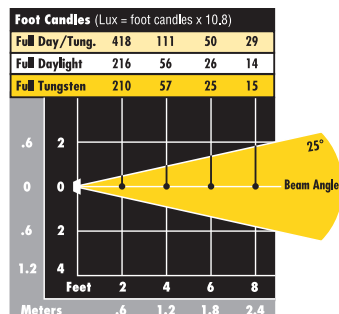
**Patent Pending**

**Weight:** 2.5 lbs (1.13 kg)

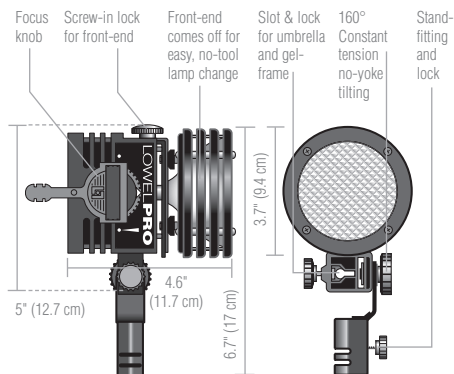
Lowel Blender with supplied front clear safety plastic, auto voltage-setting AC adaptor (with 120v Edison & 240v 2 pin Euro plugs), & 3 accessory front diffusers.

### Performance

With Lite Frost Diffuser



## Lowel Pro-light Information



**Code:** P2-10

**Size:** 4.6 x 5" (11.7 x 12.7 cm) folded

**Weight:** Pro-light with 4' captive cable: 1.3 lbs (590 g)

**With 4' cable & 12' extension cable:** 2 lbs (907 g)

**Max. wattage:** 250

**Max. amperage:** 8.3

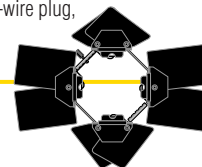
**Beam control:** continuously variable

**Fits on:** 5/8" (1.59 cm) studs

**Switch:** in-head

**U.S. Patent:** 4777566

With 4' captive cable & IEC connector, 12-foot IEC extension AC cable, standard 3-wire plug, Stand-fitting (less lamp).



### 4-way Barndoor

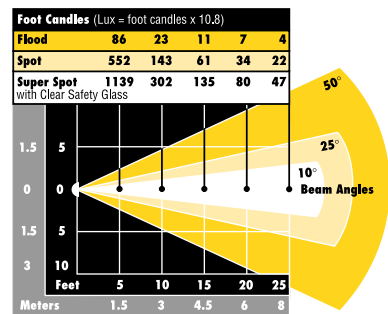
**Code:** iP-20

**Weight:** 7 oz (195 g)

Barndoor Frame with two expandable rectangular leaves, two expandable triangular leaves. Accepts swing-in accessories. Rotates 360°.

### Performance

With 120v, 200w, 3200°K, Osram FVL lamp



## Uni TO Stand

**Code:** UN-55

**Weight:** 2.6 lbs (1.2 kg)

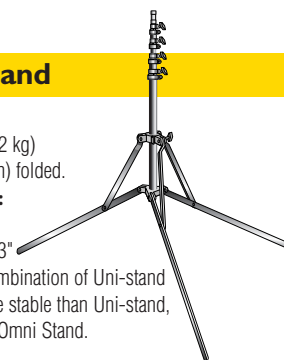
**Size:** 21.5" (54.6 cm) folded.

**Maximum height:**

7'11" (2.4 m)

**Base diameter:** 43"

Based on design combination of Uni-stand & Omni-stand. More stable than Uni-stand, more compact than Omni Stand.



## Lowel-Light Manufacturing, Inc.

90 Oser Avenue, Hauppauge, NY, 11788

**Call:** 800 645-2522 • 631 273-2500

**www.lowel.com**

