

Introducing the Lowel SlimLight Interview Series

4 sleek new Run & Gun Kits that fit your needs and budget

Today's state of the art compact cameras let you travel light and work in low-light levels. But you still need to light, to make your subject stand out & shine against the back-ground, or to strike the right visual mood. The SlimLight Interview Series includes 4 new kit combinations, designed to give you versatile, creative lighting options in a sleek, easy to carry package.



Each kit contains a 200W Rifa eX 44 dedicated tungsten-halogen softlight, matched with either compact color mixing Lowel Blender LED(s), or focusable tungsten-halogen 200W Pro-light(s), plus Uni TO Stands, all in our popular Slim Litebag.



SlimLight Rifa Blender 1 Kit

Code: SLK-941 ILB
Weight: 14 lbs (6.4 kg)

Contains: 1 Rifa eX 44 complete (LC-44EX), 1 200W FVL lamp (FVL), 1 Lowel Blender complete (BLN-10), 2 Uni TO Stands (UN-55), 1 Rifa 44 Daylight Gel Set (LC-47), 1 ViP Lampak (ViP-61), 1 Slim Litebag (LB-24)



SlimLight Rifa Blender 2 Kit

Code: SLK-9412LB
Weight: 19 lbs (8.6 kg)

Contains: 1 Rifa eX 44 complete (LC-44EX), 1 200W FVL lamp (FVL), 2 Lowel Blenders complete (BLN-10), 3 Uni TO Stands (UN-55), 1 Rifa 44 Daylight Gel Set (LC-47), 1 ViP Lampak (ViP-61), 1 Slim Litebag (LB-24)



SlimLight Rifa Pro 1 Kit

Code: SLK-942 ILB
Weight: 14 lbs (6.4 kg)

Contains: 1 Rifa eX 44 complete (LC-44EX), 1 Pro-light complete (P2-10), 1 4-way Barndoor (iP-20), 2 200w FVL lamps (FVL), 2 Uni TO Stands (UN-55), 1 ViP Lampak (ViP-61), 1 Slim Litebag (LB-24)

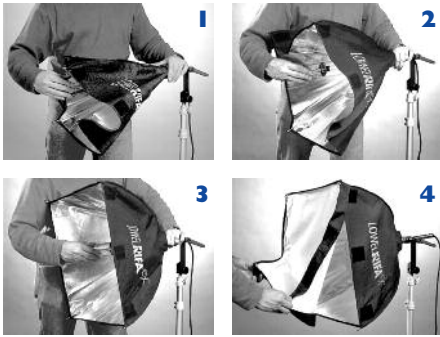


SlimLight Rifa Pro 2 Kit

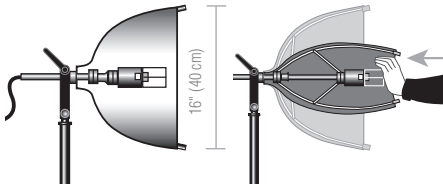
Code: SLK-9422LB
Weight: 21 lbs (9.5 kg)

Contains: 1 Rifa eX 44 complete (LC-44EX), 2 Pro-lights complete (P2-10), 2 4-way Barndoors (iP-20), 3 200w FVL lamps (FVL), 3 Uni TO Stands (UN-55), 1 ViP Lampak (ViP-61), 1 Slim Litebag (LB-24)

Lowel Rifa eX 44 Information



60 Second Umbrella-like Setup



Code: LC-44EX

Front size: 16 x 16" (40 x 40 cm)

Collapsed length: 21" (53 cm)

Weight: 2.1 lbs (1 kg) w/ 4' captive cable

Max. wattage: 300

Max. amperage: 2.5 at 120v

Fits on: 5/8" (1.59 cm) studs

Switch: inline

U.S. Patents: 459645, 7081001, 7153153

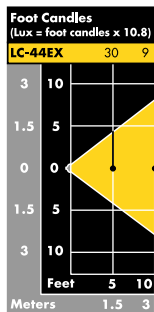
Supplied Lamphed: TH-X300



Rifa eX 44, with 4' captive cable, 16' switched #18/3 extending power cord (T1-80), light diffuser (LC-44D) and carrying sleeve.

Performance

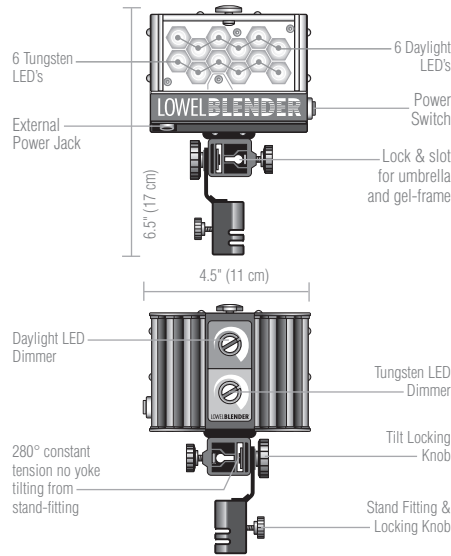
With 120v, 200w, 3200°K, FVL lamp



Beam angles

points at which intensity drops to 50% of maximum. Readings taken with Minolta CL-200 meter.

Lowel Blender Information



Code: BLN-10

Size: 6.5 x 4.5 x 3.5", (17 x 11 x 9 cm)

Weight less cable: 2.5 lbs. (550 g)

Max Wattage (AC): 16 Watts, per fixture

Max. amperage: 1.25 - 3 amps per fixture, depending on input voltage

Beam control: Fixed focus LEDs with accessory diffusers to vary quality

Fits on: 5/8" (1.59 cm) studs

Switch: in-head

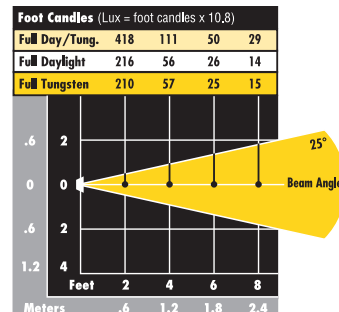
Patent Pending

Weight: 2.5 lbs (1.13 kg)

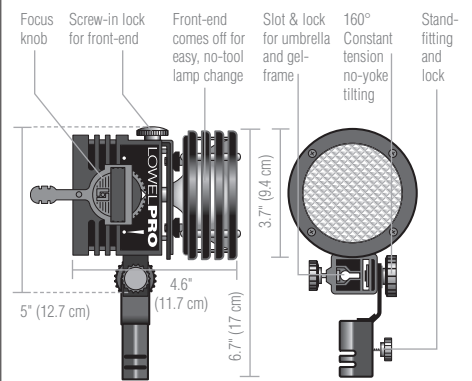
Lowel Blender with supplied front clear safety plastic, auto voltage-setting AC adaptor (with 120v Edison & 240v 2 pin Euro plugs), & 3 accessory front diffusers.

Performance

With Lite Frost Diffuser



Lowel Pro-light Information



Code: P2-10

Size: 4.6 x 5" (11.7 x 12.7 cm) folded

Weight: Pro-light with 4' captive cable: 1.3 lbs (590 g)

With 4' cable & 12' extension cable: 2 lbs (907 g)

Max. wattage: 250

Max. amperage: 8.3

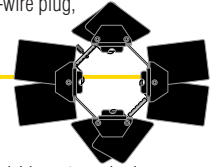
Beam control: continuously variable

Fits on: 5/8" (1.59 cm) studs

Switch: in-head

U.S. Patent: 4777566

With 4' captive cable & IEC connector, 12-foot IEC extension AC cable, standard 3-wire plug, Stand-fitting (less lamp).



4-way Barndoor

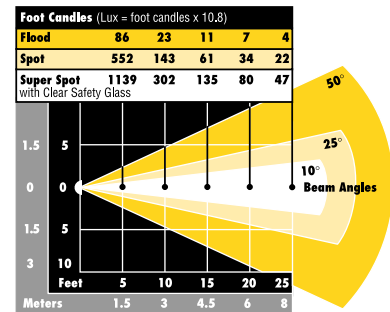
Code: iP-20

Weight: 7 oz (195 g)

Barndoor Frame with two expandable rectangular leaves, two expandable triangular leaves. Accepts swing-in accessories. Rotates 360°.

Performance

With 120v, 200w, 3200°K, Osram FVL lamp



Uni TO Stand

Code: UN-55

Weight: 2.6 lbs (1.2 kg)

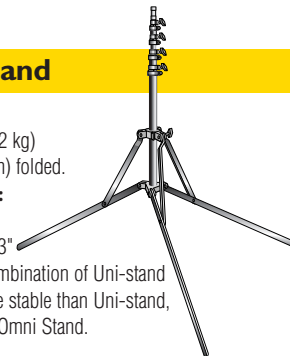
Size: 21.5" (54.6 cm) folded.

Maximum height:

7'11" (2.4 m)

Base diameter: 43"

Based on design combination of Uni-stand & Omni-stand. More stable than Uni-stand, more compact than Omni Stand.



Lowel-Light Manufacturing, Inc.

90 Oser Avenue, Hauppauge, NY, 11788

Call: 800 645-2522 • 631 273-2500

www.lowel.com

