

Plastic Utility Carts



EC11-B
32"W x 18"D x 34 1/4"H

- 32" W x 18" D tub shelves are 3 1/2" in depth
- 33% More capacity than a standard 24" W x 18" D cart
- Has an ergonomic push handle molded into the top shelf, top flat shelf includes metal support bars
- Four 4" full swivel casters, two with locking brake
- Available in black or gray
- Shelves and legs are constructed with an injection molded thermoplastic resin
- 400 lb. weight capacity (evenly distributed)
- Tub shelves are 3 1/2" H, flat shelves are 1 3/4" H

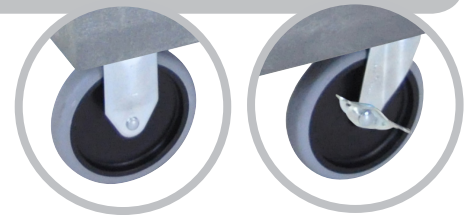
Also available with optional 5" heavy duty casters, two with swivel locking brake, two stationary. These casters will increase the over all weight capacity to 500 lbs. (evenly distributed) add "HD" to the model.



EC22-G
32"W x 18"D x 33"H

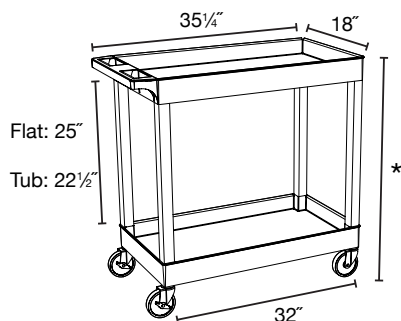


EC12-B
32"W x 18"D x 32 1/2"H



**MADE IN
USA**

Measurements:



* - Varies by model



EC21-G
32"W x 18"D x 32 1/2"H

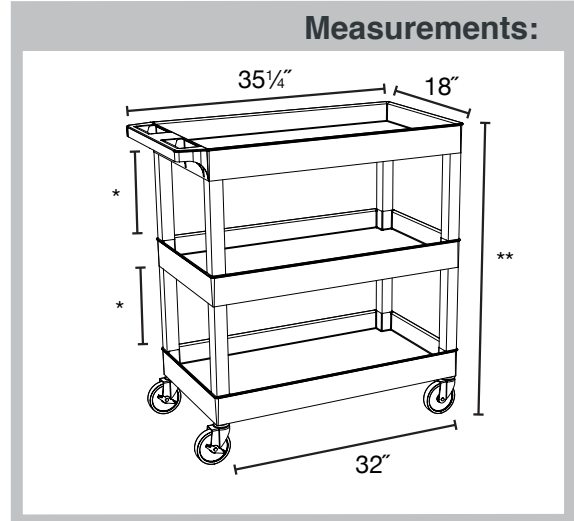


EC222-B
32"W x 18"D x 34 1/2"H

Plastic Utility Carts



EC111-G
32"W x 18"D x 36¼"H



*- Above Tub= 10½"H **- More Than Two Tub= 36¼"H
Above Flat= 12½"H More Than Two Flat= 34½"H



EC112-B
32"W x 18"D x 36¼"H



EC121-G
32"W x 18"D x 36¼"H



EC211-B
32"W x 18"D x 36¼"H



EC221-G
32"W x 18"D x 34½"H



EC212-B
32"W x 18"D x 34½"H



EC122-G
32"W x 18"D x 34½"H