

D VA 5760 L

SERIES 5000

CardModules

SD/HD Analog Video / Sync Distribution Amplifier

Description

The D VA 5760 L is a flexible and cost-effective solution for high quality SD and HD analog video or sync distribution. The module has one input with passive loop through and 16 outputs. This module is ideally suited for demanding high quality broadcast and professional video applications.

Adjustable video gain and equalization is provided for system calibration. Inputs can be AC or DC differential coupled with or without input clamping (selected via the APPolo control system)

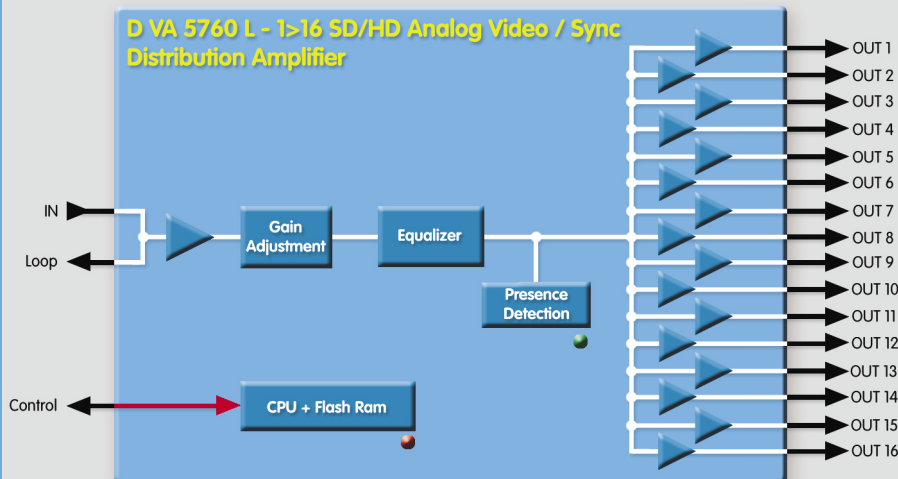
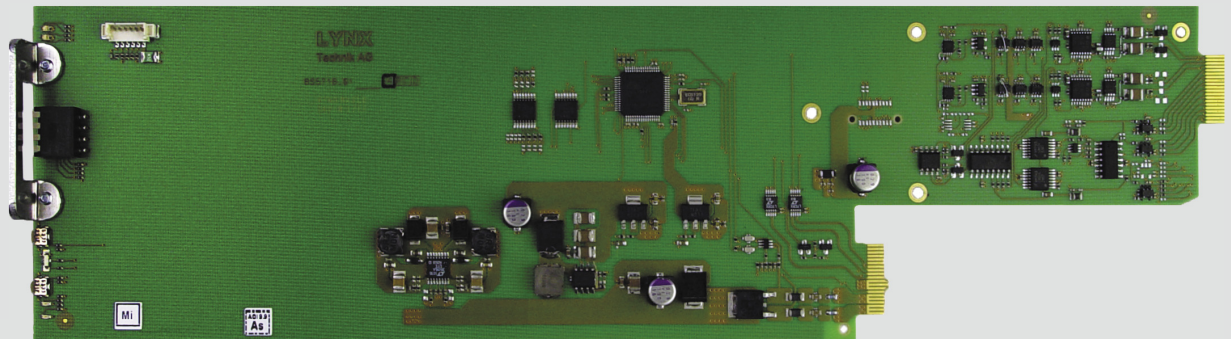
The module also functions as a Sync Distribution Amplifier for HD tri-level or SD bi-level sync inputs.

Microprocessor control and on board flash ram enable configurations and settings to be stored within the module (through power cycles and module removal). Local control capability is provided via the integrated dip switch.

The LYNX APPolo Control System manages remote control, status monitoring, and error reporting for the module.

Features

- High quality 1>16 distribution amplifier
- 30MHz wide band distribution amplifier for both SD and HD analog video sources
- Supports SD bi-level and HD tri-level analog sync
- Passive input loop through
- Signal presence detection
- Adjustable video gain
- Adjustable cable equalization
- Selectable input clamp (via control system)
- Selectable AC or DC coupled differential inputs (via control system)
- Microprocessor controlled with internal flash ram for storing settings
- Remote control, status monitoring and error reporting possible when used with LYNX APPolo control system.
- SNMP error reporting when used with RCT 5031 master controller option
- Hot Swappable



Backplane

Double width back panel and will occupy two rack slots in the RFR 5012 chassis

SD/HD Analog Video / Sync Distribution Amplifier

Specifications

Video Inputs	
Signal type	Video: SD or HD Analog video Sync: SD or HD (tri-level) Sync
Input coupling	Differential AC or DC (selectable via control system)
Input impedance	75 Ohms
No. of inputs	1 (with passive loop through)
Connector	BNC
Input clamp	ON/OFF (selectable via control system)
Return loss	> 31dB to 10MHz
Common mode rejection	> 65dB to 10KHz
Max input level	2v (peak to peak)

Video Outputs	
No. Of Outputs	16 amplified and equalized, with 1 passive loop through of input.
Signal type	Analog Video
Return loss	40dB to 10MHz
Phase match	< 0.1 degrees at 4.43MHz
Response variation	< 0.15dB to 16 loads
Connector	BNC
Output impedance	75 Ohms
Adjustment range	-3dB to +3dB in 50 increments

Performance	
Frequency response	+/- 0.1dB to 30MHz, -3dB at 66MHz
Differential gain	< 0.60%
Differential phase	< 0.4 degrees
Hor / vert tilt	< 0.5%
Signal to noise ratio	> 69dB to 17MHz (RMS noise/700mv, unweighted)
Hum	< 0.5 mv
Gain	-3dB to +3dB in 50 increments
Cable equalization	Adjustable for up to 200m SDTV or 100m HDTV using Belden 8281
Control	Local settings using on board dip switches. Remote control possible when used with LYNX APPolo control system
Status monitoring (LED)	SD/HD signal presence / general alarm

Electrical Specifications	
Operating voltage	12 VDC
Power consumption	< 3W
Safety	IEC 60950/ EN 60950/ VDE 0805

Mechanical	
Size	283mm x 78mm
Weight	CardModule 120g, connector plate 100g

Ambient	
Temperature	5°C to 40°C maintaining specifications
Humidity	90% Max non condensing

Specifications subject to change

Settings and Control

Local Settings	
Adjustment selection	Gain or equalization
Unity selection	yes / no
Adjustment	Adjust gain or equalization UP/DOWN
Settings Available from APPolo Control System	
All local controls duplicated. Additional parameters provided via the control system listed below:	
AC or DC input coupling	Select AC or DC
Input clamp	ON/OFF

On Board Indicators / LEDs	
Signal present / no input	
General alarm indicator – three Color	

Note: This module has a double width back panel and will occupy two rack slots in the RFR 5012 chassis

Ordering Information

Model #	Part Number	Description	Includes
D VA 5760 L	6155005760	SD/HD Analog Video / Sync Distribution Amplifier	CardModule, rear termination panel, + mounting screws, and reference manual (on CD)