

# ASR-HD Series

slide out & rotating shelving system

slide-out and rotating shelving system  
for custom cabinetry, millwork and  
entertainment centers

## features:

- Significantly reduces installation time
- Easy index Quick-Position™ shelves
- Locking detent protects millwork
- Self centering base simplifies and speeds installation
- Up to a 250 lb. weight capacity depending on model
- Vented shelves and top for optimized thermal management
- Included cable management system
- Locking trim panel standard



ASR-HD shown fully  
extended and rotated

## specifications:


ASR-HD Series Slide Out & Rotating Shelving System shall be Middle Atlantic Products model # ASR-XX-HD (refer to chart). Overall dimensions of shelving system shall be 21" W x \_\_\_" H x 20" D with a \_\_\_ lb. weight capacity (refer to chart). Maximum useable depth shall be 19". Wood finish shall be black and constructed of 3/4" & 1" thick 45 lb. density industrial MDF board with melamine. Self centering ASR-HD rough-in base shall be 14-gauge steel. Shelving system shall slide out 18-3/4" on integrated ball bearing slides and rotate 60° in either direction for equipment servicing. Shelving system shall remove from self centering base for easy installation. When rotating shelving system, locking detent shall allow shelving system to lock in place at 0° & 60°. Removable shelf trim shall have a silver brushed finish and can be replaced to match millwork finish. Easy index Quick-Position™ shelves shall be constructed of 18-gauge steel. Top and shelves shall feature vent pattern for passive ventilation. Locking trim panel shall lock ASR-HD in closed position and be 11-gauge aluminum with a black brushed and anodized finish. Shelving system shall be warrantied to be free from defects in material or workmanship under normal use and conditions for a period of 3 years.

Customizable specification clips available at [middleatlantic.com](http://middleatlantic.com)

## options:

- Power distribution strip shall be Middle Atlantic Products part # PD-815SC-NS or PD-815SC

what **great systems** are built on.™

A Group brand |  legrand



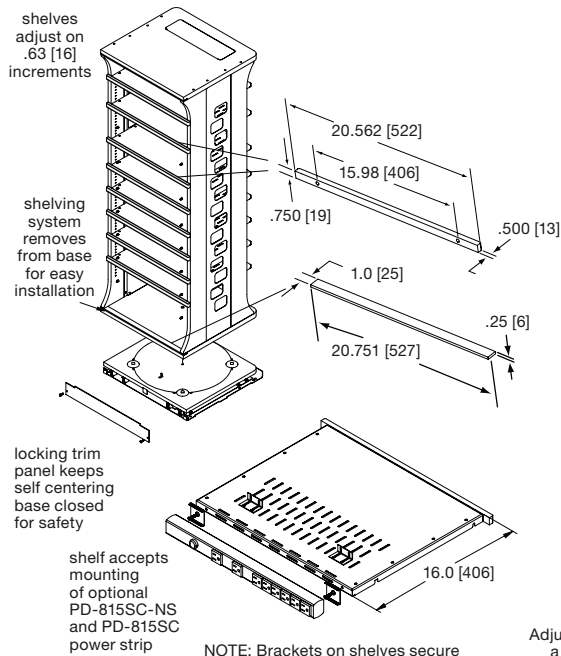
**Middle Atlantic Products**  
[middleatlantic.com](http://middleatlantic.com) | [middleatlantic.ca](http://middleatlantic.ca)

96-01020 / rev e / 3-10-15

# ASR-HD Series

## basic dimensions

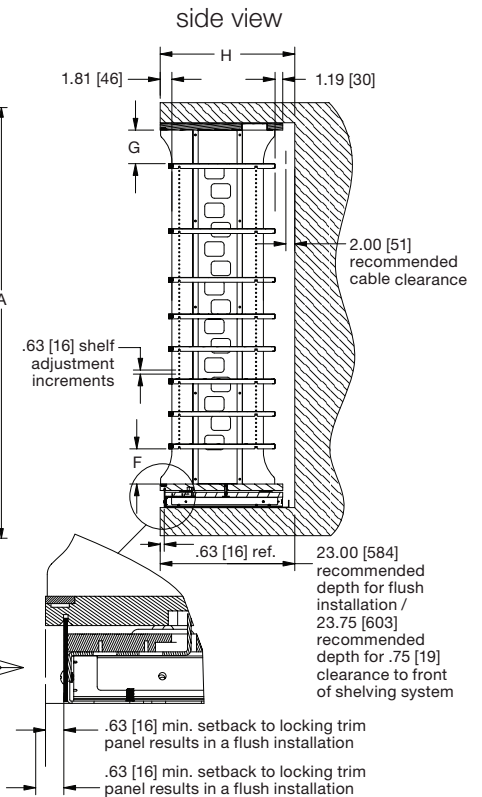
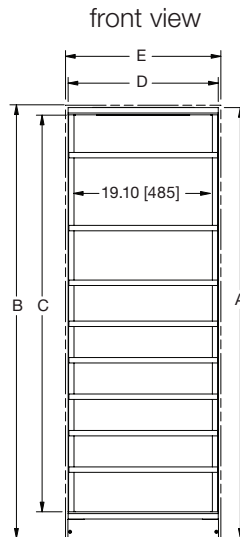
all dimensions in inches unless otherwise noted [all dimensions in brackets are in millimeters]



NOTE: Brackets on shelves secure components and prevent them from sliding backwards

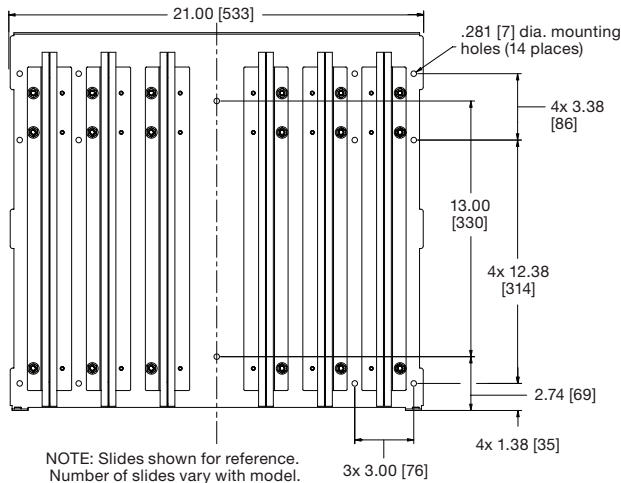
Adjustable shelves shall have a 65 lb. weight capacity

Bottom fixed shelf shall have 85 lb. weight capacity

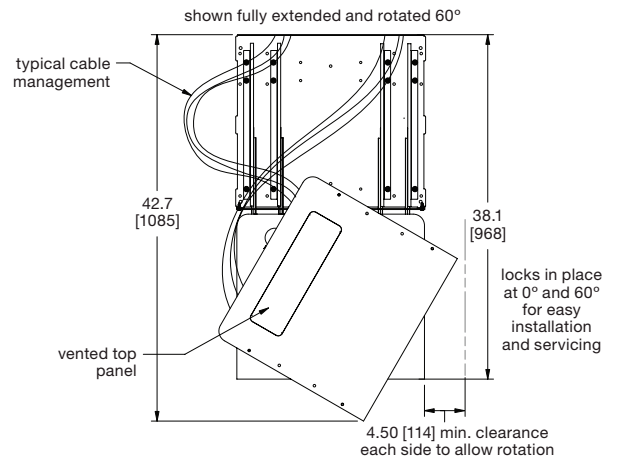


### self centering rough-in base

(all mounting holes must be used)



NOTE: Slides shown for reference. Number of slides vary with model.



| Part #    | A Overall Height | B Rough Opening Height | C Equipment Mounting Height * | D Overall Width | E Rough Opening Width | # of Shelves / # of Adjustable Shelves | F Lowest Shelf Mounting Clearance | G Highest Shelf Mounting Clearance | H Rough Opening Min. Depth Recommended** | Max. Useable Depth | Weight Capacity    | Single Shelf Weight Capacity | Required Millwork Weight Capacity |
|-----------|------------------|------------------------|-------------------------------|-----------------|-----------------------|--|-----------------------------------|------------------------------------|--|--------------------|--------------------|------------------------------|-----------------------------------|
| ASR-60-HD | 59-5/8 [1515]    | 60 [1524]              | 54-4/5 [1392]                 | 21 [533]        | 21-1/16 [535]         | 9 / 8                                  | 5-1/2 [140]                       | 5-1/5 [132]                        | 23 [584]                                 | 19 [483]           | 250 lbs. [114 kg.] | 65 lbs. [29 kg.]             | 480 lbs. [218 kg.]                |
| ASR-42-HD | 41-5/8 [1057]    | 42 [1067]              | 36-4/5 [935]                  | 21 [533]        | 21-1/16 [535]         | 6 / 5                                  | 5-3/10 [135]                      | 5 [127]                            | 23 [584]                                 | 19 [483]           | 200 lbs. [91 kg.]  | 65 lbs. [29 kg.]             | 400 lbs. [181 kg.]                |
| ASR-30-HD | 29-5/8 [753]     | 30 [762]               | 24-4/5 [630]                  | 21 [533]        | 21-1/16 [535]         | 4 / 3                                  | 5-1/2 [140]                       | 5-3/10 [134]                       | 23 [584]                                 | 19 [483]           | 200 lbs. [91 kg.]  | 65 lbs. [29 kg.]             | 227 lbs. [103 kg.]                |

\* For each shelf used subtract .75 [19] from equipment mounting height

\*\* Flush installation to front of shelving system

what great systems are built on.™