



# AXS System For Millwork & In-Wall



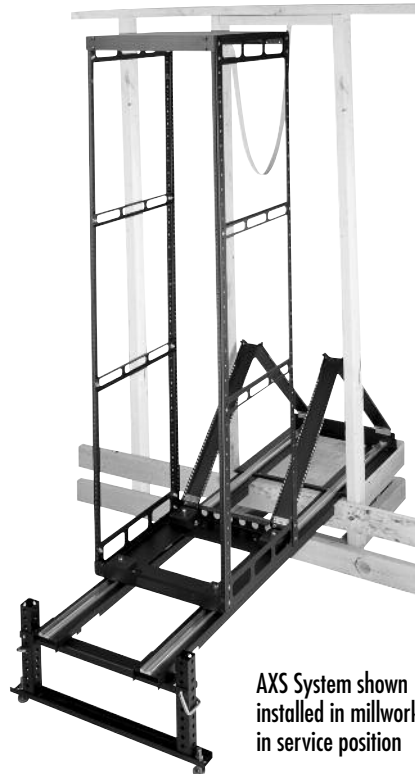
US Patent # 5, 443, 312

EIA/TIA Compliant

The AXS system allows an entire bay of equipment to pull out for easy installation or service. The telescoping service stand and tracks disconnect for storage.

## Features

- Simplifies millwork cabinet design
- Shortens installation & service time
- Rack can be mounted from 3" to 40" off floor
- Available with 26", 20" and 16-1/2" frame depths
- Articulating cable carriers provide effective cable management
- Frame heights from 10 spaces (17-1/2") or 15 spaces (26-1/4") to 43 spaces (75-1/4")
- Service stand is quick and simple to install
- Ball bearings allow smooth roll out
- 650 lb. weight capacity with proper weight distribution



AXS System shown installed in millwork in service position

Also available



AX-SXR Rotating Slide-Out System for millwork and in-wall installations, please see A&E specification # 96-01000

## Architects' and Engineers' Specifications

Patented EIA compliant 19" slide-out equipment rack for millwork installation shall be Middle Atlantic Products model # \_\_\_ (refer to chart). Rack shall have \_\_\_ useable rackspaces, overall height of \_\_\_, and a useable depth of \_\_\_ (refer to chart). Rough-in millwork dimensions shall have a minimum depth of \_\_\_ (refer to chart) with a 1/2" setback, overall width of \_\_\_ (refer to specs) and a weight capacity of 650 lbs. with proper weight distribution. Rack shall be constructed of the following materials: top, base, caster brackets, and horizontal braces shall be 13-gauge steel with black powder coat finish, rack uprights shall be 11-gauge steel rackrail with tapped 10-32 mounting holes in universal EIA spacing. Rackrail shall be finished in black e-coat with marked rackspaces, top and bottom trim panels shall be 11-gauge aluminum with a black brushed and anodized finish. Cable carrier shall be constructed of the following materials: cable carrier and lower hinges shall be constructed of 16-gauge steel, center hinge shall be constructed of 10-gauge steel and cable carrier shall be finished in a black powder coat. Rack top shall have openings to accept up to 2 fans, model # AXS-FAN (one fan) or AXS-FAN-K (two fans). Service tracks and stands shall be constructed of a 13-gauge steel frame with an aluminum extrusion. Service tracks for AXS, SAX and AXS-xx-26 systems shall be model # TRACK50 with a 50" track length and 48" rack frame extension depth. Service Tracks for AX-SX and SSAX systems shall be model # TRACK25 with a 25" track length and 25" rack frame extension depth. Service stand shall be model # TRACKL (for 2-1/4" - 3-1/4" mounting height off floor), TS310 (for

3"-11" mounting height off floor), TS1022 (for 10"-22" mounting height off floor) and TS1640 (for 16"-40" mounting height off floor). Rack shall be GREENGUARD Indoor Air Quality Certified for Children and Schools. Rack shall be RoHS EU Directive 2002 / 95 / EC compliant. Rack shall be manufactured by an ISO 9001 and ISO 14001 Registered Company. Rack shall be warrantied to be free from defects in material or workmanship for a period of 3 years.

### OPTIONS

- Optional slim fan for AXS systems shall be model # AXS-FAN. Kit with 2 fans shall be model # AXS-FAN-K
- Optional 20" and 26" full-depth front and rear mount AXS rackshelf shall be model # SH-5A (fits AXS, AX-SX, SAX and SSAX), SH-5A-26 (fits AXS-XX-26)
- Optional cable management tray shall be model # AXS-WT25 (fits AX-SX, SSAX), AXS-WT50 (fits AXS, SAX)
- Brush gasket shall require 19-5/8" rough-in opening width and shall be model # BG17
- Gasket and guide to center rack and protect millwork requires 19-5/8" rough-in opening width and shall be model # AXS-GGxx (xx=depth of rack; 16, 20, 26)

**CUSTOMIZABLE SPECIFICATION CLIPS AVAILABLE AT MIDDLEATLANTIC.COM**

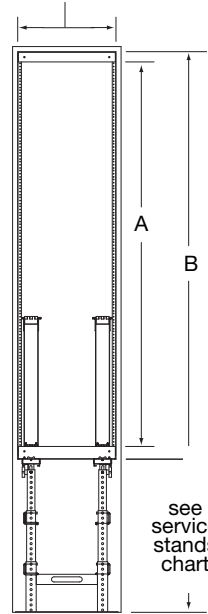
# Specifications for AXS System

All dimensions in inches [Bracketed dimensions are in millimeters]

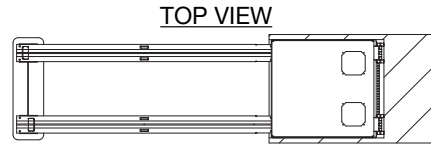


## FRONT VIEW

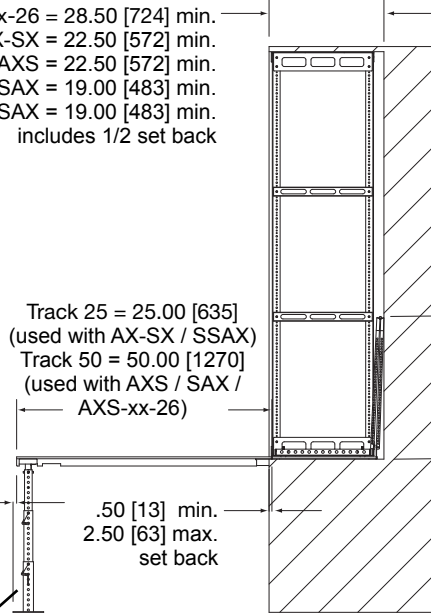
19-1/4 [489] min. finished opening width without gasket  
19-5/8 [498] when using optional gasket



AXS-xx-26 = 28.50 [724] min.  
AX-SX = 22.50 [572] min.  
AXS = 22.50 [572] min.  
SSAX = 19.00 [483] min.  
SAX = 19.00 [483] min.  
includes 1/2 set back



## SIDE VIEW



AXS-xx-26 = 28.00 [711]  
AX-SX = 17.00 [432]  
AXS = 28.00 [711]  
SSAX = 17.00 [432]  
SAX = 28.00 [711]

NOTE: Service stand TS1022 and TS1640 in outer-most position will extend .517" beyond track, TS310 will extend 4.743" beyond track, TRACKL does not extend beyond track.

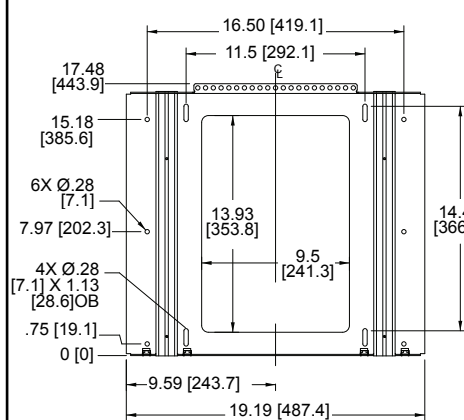
## MILLWORK SPECIFICATIONS

A # OF USEABLE RACKSPACES	A USEABLE RACK HEIGHT (in.)	B MILLWORK OPENING HEIGHT (in.)*
**10	17-1/2 [444]	22-3/16 [568]
**11	19-1/4 [489]	23-15/16 [608]
**12	21 [533]	25-11/16 [653]
**13	22-3/4 [578]	27-7/16 [697]
**14	24-1/2 [622]	29-3/16 [741]
15	26-1/4 [667]	30-15/16 [786]
16	28 [711]	32-11/16 [837]
17	29-3/4 [756]	34-7/16 [875]
18	31-1/2 [800]	36-3/16 [919]
19	33-1/4 [845]	37-15/16 [964]
20	35 [889]	39-11/16 [1011]
21	36-3/4 [934]	41-7/16 [1053]
22	38-1/2 [978]	43-3/16 [1097]
23	40-1/4 [1022]	44-15/16 [1142]
24	42 [1067]	46-11/16 [1186]
25	43-3/4 [1112]	48-7/16 [1231]
26	45-1/2 [1156]	50-3/16 [1275]
27	47-1/4 [1200]	51-15/16 [1319]
28	49 [1244]	53-11/16 [1364]
29	50-3/4 [1289]	55-7/16 [1408]
30	52-1/2 [1334]	57-3/16 [1453]
31	54-1/4 [1378]	58-15/16 [1497]
32	56 [1423]	60-11/16 [1545]
33	57-3/4 [1467]	62-7/16 [1586]
34	59-1/2 [1512]	64-3/16 [1631]
35	61-1/4 [1556]	65-15/16 [1675]
36	63 [1600]	67-11/16 [1720]
37	64-3/4 [1645]	69-7/16 [1764]
38	66-1/2 [1689]	71-3/16 [1809]
39	68-1/4 [1734]	72-15/16 [1853]
40	70 [1778]	74-11/16 [1898]
41	71-3/4 [1823]	76-7/16 [1942]
42	73-1/2 [1867]	78-3/16 [1986]
43	75-1/4 [1912]	79-15/16 [2031]

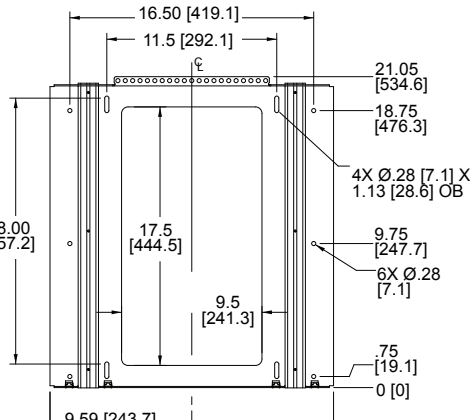
\* When using optional gasket and guide kit, 3/8" must be added to millwork opening height.

\*\* AX-SX & SSAX only

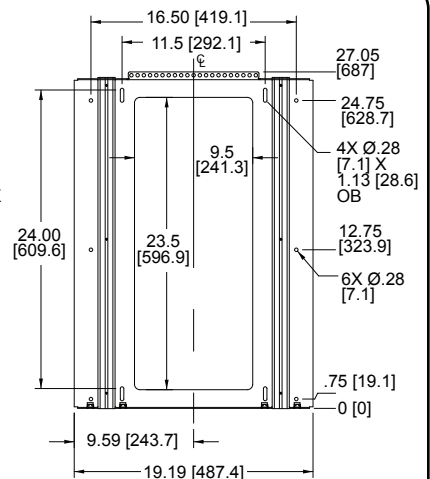
## BASE DIMENSIONS



SAX-XX, SSAX-XX  
(frame depth = 16.5")



AXS-XX, AX-SXR-XX, AX-SX-XX  
(frame depth = 20")

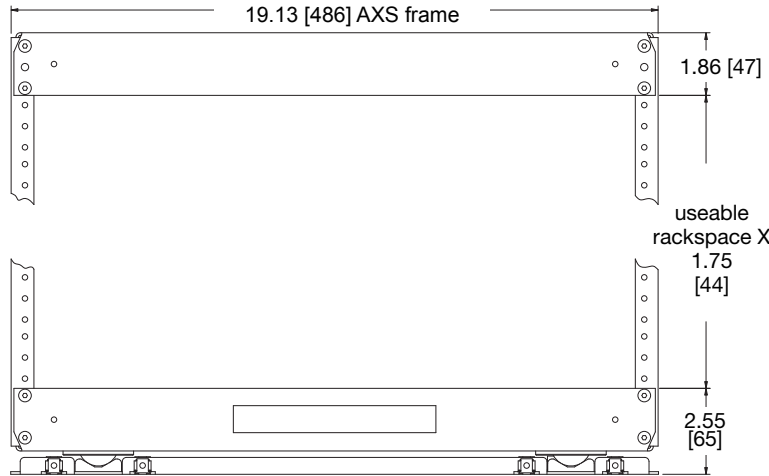


AXS-XX-26  
(frame depth = 26")

# Specifications for AXS System

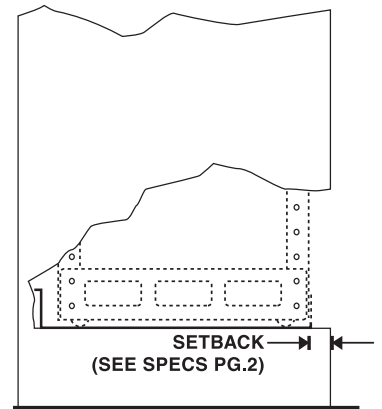


**FRONT VIEW**  
(AXS inner frame)



All dimensions in inches [Bracketed dimensions are in millimeters]

**SETBACK**



**NOTE:**

To calculate rail to front edge clearance, use the numbers in "Millwork Specs" in conjunction with the clearance for any door or face you may provide for your millwork installation.

## Millwork Specifications

Part #		Extension Length	Frame Depth	Millwork Opening Depth	Millwork Opening Width	Millwork Opening Height
AXS-xx-26*	Replace 'xx' with the # of useable spaces (15 to 43 spaces)	48 [1219]	26 [660]	28-1/2 [724]	19-1/4 [489] min. *	number of useable rackspaces + 4.688 [119]
AXS-xx*	Replace 'xx' with the # of useable spaces (15 to 43 spaces)	48 [1219]	20 [508]	22-1/2 [572]	19-1/4 [489] min. *	number of useable rackspaces + 4.688 [119]
AX-SX-xx*	Replace 'xx' with the # of useable spaces (10 to 43 spaces)	25 [635]	20 [508]	22-1/2 [572]	19-1/4 [489] min. *	number of useable rackspaces + 4.688 [119]
SAX-xx*	Replace 'xx' with the # of useable spaces (15 to 43 spaces)	48 [1219]	16-1/2 [419]	19 [483]	19-1/4 [489] min. *	number of useable rackspaces + 4.688 [119]
SSAX-xx*	Replace 'xx' with the # of useable spaces (10 to 43 spaces)	25 [635]	16-1/2 [419]	19 [483]	19-1/4 [489] min. *	number of useable rackspaces + 4.688 [119]

\* When used with gasket and guide kit millwork opening width must be 19-5/8 [498] min.

### Service Stands

Part #	Height Range Off of the Floor
TRACKL	2-1/4 [57] to 3-1/4 [82]
TS310	3 [76] to 11 [279]
TS1022	10 [254] to 22 [559]
TS1640	16 [406] to 40 [1016]

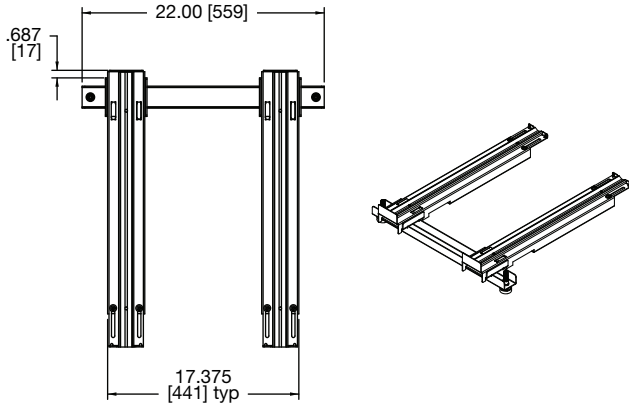
### Service Tracks: available in 2 lengths

Part #	Use with	Track Length
TRACK50	AXS, SAX, AXS-xx-26	50 [1270]
TRACK25	AX-SX, SSAX	25 [635]

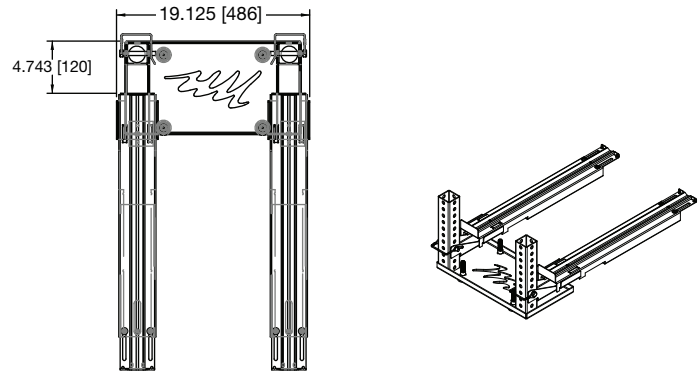
## Service Stands

All dimensions in inches [Bracketed dimensions are in millimeters]

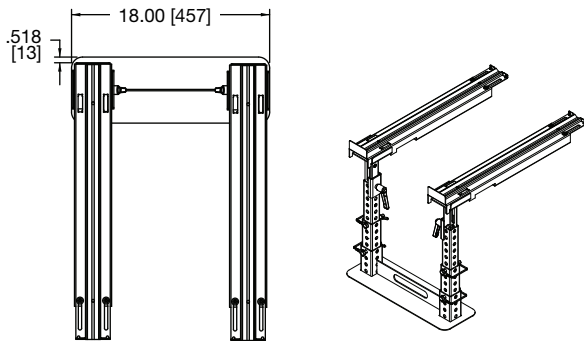
TRACKL with TRACK25



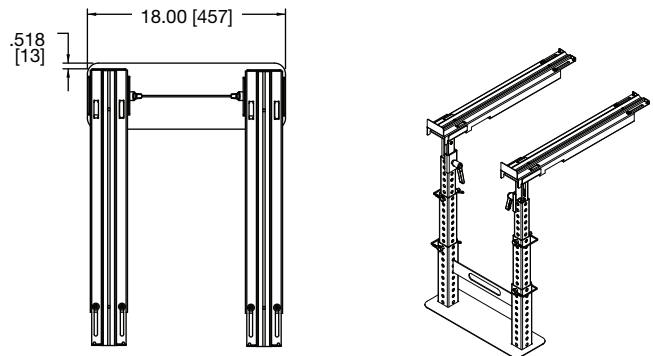
TS310 with TRACK25



TS1022 with TRACK25



TS1640 with TRACK25



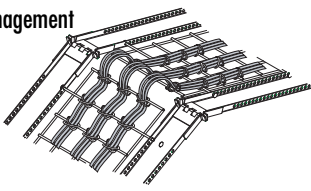
Service Stands	
Part #	Height Range Off of the Floor
TRACKL	2-1/4 [57] to 3-1/4 [82]
TS310	3 [76] to 11 [279]
TS1022	10 [254] to 22 [559]
TS1640	16 [406] to 40 [1016]



# AXS Cable Carrier

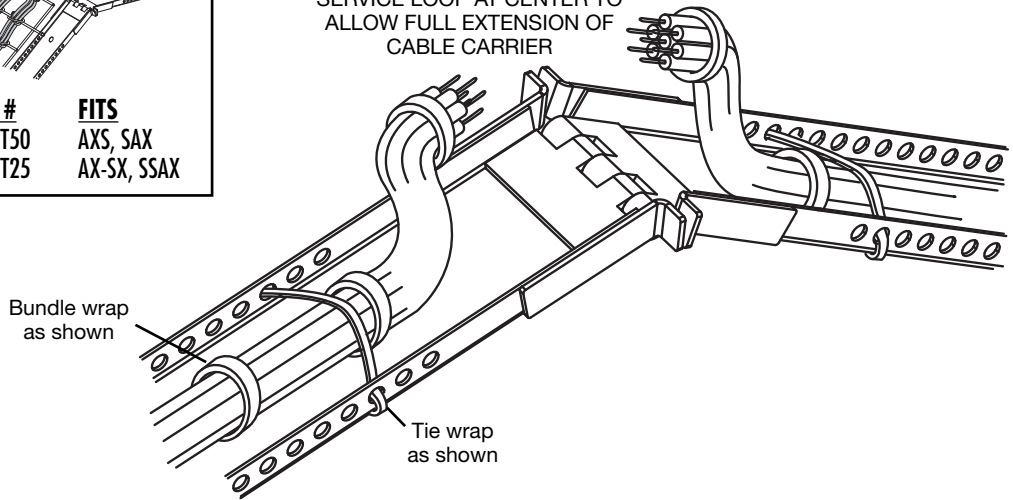


Optional cable management tray is available to handle large cable bundles



PART #	FITS
AXS-WT50	AXS, SAX
AXS-WT25	AX-SX, SSAX

SERVICE LOOP AT CENTER TO ALLOW FULL EXTENSION OF CABLE CARRIER



## Also available from Middle Atlantic Products

AX-SXR Rotating Slide-Out System for millwork and in-wall installations, please see A&E specification # 96-01000



AXS System factory-installed in Middle Atlantic Products steel cabinets, please see A&E Specification # 96-055S.



\* For information on host cabinets, please see  
 A&E Specification  
 # 96-052SA (WRK-SA)  
 # 96-039 (MRK)  
 # 96-038 (ERK)