


**Middle Atlantic Products**

EXCEPTIONAL SUPPORT &amp; PROTECTION™

# CFR Series Cabinet Frame Rack



CUL US LISTED



EIA/TIA Compliant

**Designed to provide rackspace in cabinets, credenzas, podiums, lecterns and other pre-built structures**

## Features

- Low profile design maximizes the amount of useable rackspace
- Features a strong welded frame that allows for pre-loading equipment and transportation to the installation site
- Available in 16" and 18" depths
- Available in 8 to 14 space useable racking height
- Comes standard with two adjustable front to rear lacing bars for cable dressing or mounting accessories
- Rackrail features offset cable tie area which keeps the rack to a slim 19-1/4" width



CFR-14-18



## Architects and Engineers' Specifications

EIA compliant 19" cabinet frame rack shall be Middle Atlantic Products model #CFR- \_\_\_ - \_\_\_ (refer to chart). Overall dimensions shall be 19.25" W x \_\_\_" H with a useable depth of \_\_\_" (refer to chart). Rack shall have a weight capacity of 250 lbs. Rack shall have \_\_\_ rackspaces (refer to chart). Rack shall be constructed of the following materials: top and bottom shall be 16-gauge steel, rackrail shall be constructed of 11-gauge steel with tapped 10-32 mounting holes in universal EIA spacing. Rack shall be finished in a durable black powdercoat. Rack shall include two adjustable side mounted horizontal lacing bars for enhanced cable management. Cabinet frame rack shall be UL listed in the US and Canada. Cabinet frame rack shall be GREENGUARD Indoor Air Quality Certified for Children and Schools. Cabinet frame rack shall be RoHS EU Directive 2002/95/EC compliant. Cabinet frame rack shall be manufactured by an ISO 9001 and ISO 14001 registered company. Cabinet frame rack shall be warranted to be free from defects in material or workmanship under normal use and conditions for the lifetime of the product.

### OPTIONS

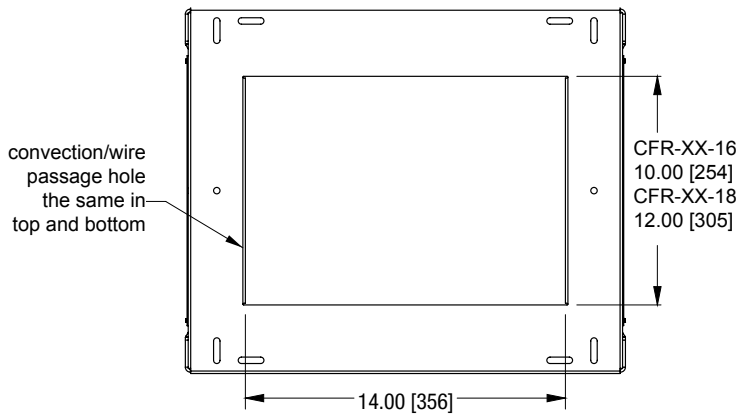
- Runner kit shall be 5-RSXX (XX=useable depth), and shall add 1/4" to the overall height.

**CUSTOMIZABLE SPECIFICATION CLIPS AVAILABLE AT MIDDLEATLANTIC.COM**

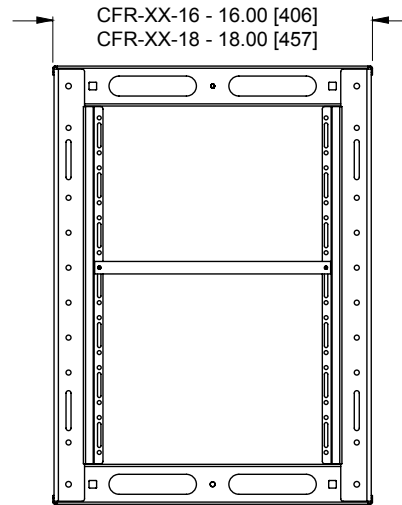
# Cabinet Frame Rack basic dimensions

All dimensions in inches unless otherwise noted [All dimensions in brackets are in millimeters]

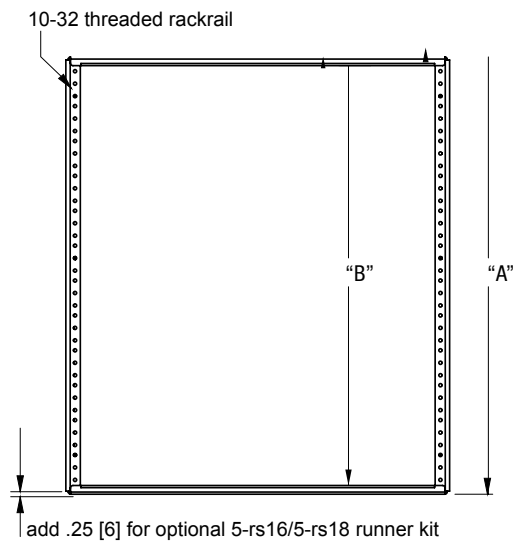
**TOP VIEW**



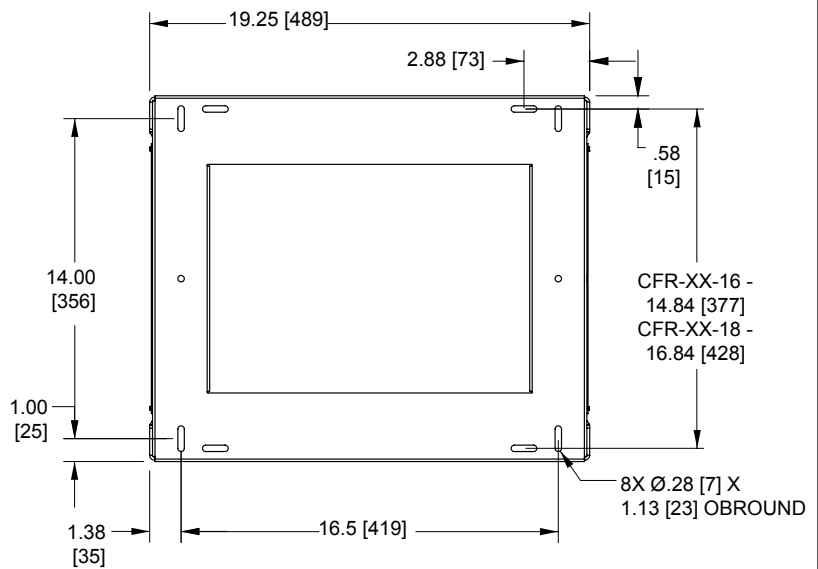
**SIDE VIEW**



**FRONT VIEW**



**BOTTOM VIEW WITH MOUNTING HOLE DIMENSIONS**



Part # 16" Useable Depth	Part # 18" Useable Depth	A Overall Height	B Racking Height	C Rackspaces
CFR-8-16	CFR-8-18	14.94 (379)	14.00 (356)	8
CFR-9-16	CFR-9-18	16.69 (424)	15.75 (400)	9
CFR-10-16	CFR-10-18	18.44 (468)	17.50 (445)	10
CFR-11-16	CFR-11-18	20.19 (513)	19.25 (489)	11
CFR-12-16	CFR-12-18	21.94 (557)	21.00 (533)	12
CFR-13-16	CFR-13-18	23.69 (602)	22.75 (578)	13
CFR-14-16	CFR-14-18	25.44 (646)	24.50 (622)	14