



Middle Atlantic Products

EXCEPTIONAL SUPPORT & PROTECTION™

TEMP-DEC Decora® Mount Display

Decora® mount display monitors enclosure temperature

Features

- Mounts into any Decora® style opening
- Three digit, green LED display
- Adjustable overtemp setting
- Local and remote overtemp notification
- 5' cord with temperature probe included
- Optional jumper supplies power to additional 12V DC units using a single power source
- UL Listed plug-in power supply included



TEMP-DEC

Architects' and Engineers' Specifications

Decora® mount temperature display shall be Middle Atlantic Products model # TEMP-DEC. Temperature display shall mount into a standard Decora® opening. Temperature display shall feature adjustable Fahrenheit/Celsius readout. Unit shall feature three digit display with green LED lights. Rear mounted, normally open dry switch closure shall provide overtemp alarm signal to compatible monitoring device. Local display shall blink to indicate overtemp situation. Overtemp set point shall be user defineable from 90° to 115°F (32o to 46°C) and shall be preset at 95°F (35°C). Temperature display features 5' cord with temperature probe for mounting within an enclosure. TEMP-DEC shall feature smoked lens and flat black plastic chassis. TEMP-DEC shall include UL Listed 12V DC power supply. TEMP-DEC shall be warranted to be free from defects in material or workmanship under normal use and conditions for a period of 3 years.

OPTIONS

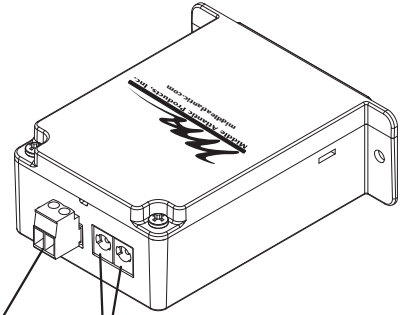
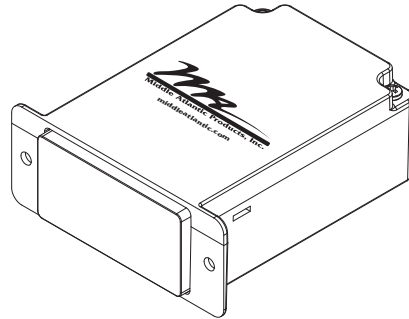
- Power jumper uses a second rear 12V DC jack to supply power to additional 12V units. Model # JDC-12X18
- Single space blank rackmount panels with-(1,2,3,4) opening(s) for Decora® style products shall be model # DECP1X_(1,2,3,4)
- Single space rackmount panel with pre-installed TEMP-DEC shall be model# T1P
- Single space rackmount panel with pre-installed TEMP-DEC and two LT-DEC retractable Decora® mount component lights shall be model # LT2-T1P

CUSTOMIZABLE SPECIFICATION CLIPS AVAILABLE AT MIDDLEATLANTIC.COM

TEMP-DEC Decora® Mount Display

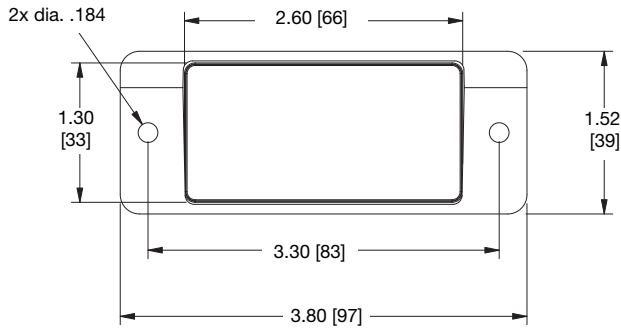


TOP VIEW

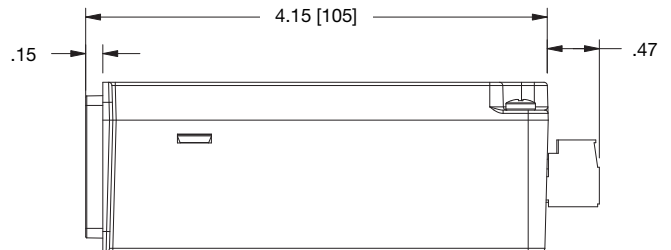


OVERTEMP
ALARM
OUTPUT

12V DC
INPUT / OUTPUT



FRONT VIEW



SIDE VIEW

