



Middle Atlantic Products

EXCEPTIONAL SUPPORT & PROTECTION™

HPM Hinged Panel Mounts



EIA/TIA Compliant

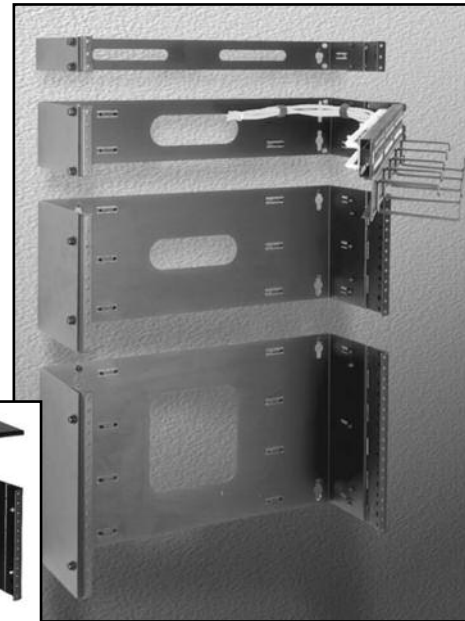
The HPM Series Hinged to provide rear access to patch panels

Features

- Simple & straightforward wall-mounting of rackmount equipment
- Hinged to provide rear access
- Universal keyhole mounting for left or right swing
- Built-in cable lacing points
- 10-32 rack screws included
- Can be rackmounted to any 19" open frame rack
- Optional lid protects equipment from dust
- Durable black powder coat finish



HPM shown with optional top cover



HPM-1

HPM-2

HPM-4

HPM-6

HINGED PANEL ACCESSORIES
TOP DUST COVER / MODEM SHELF

Architects' and Engineers' Specifications

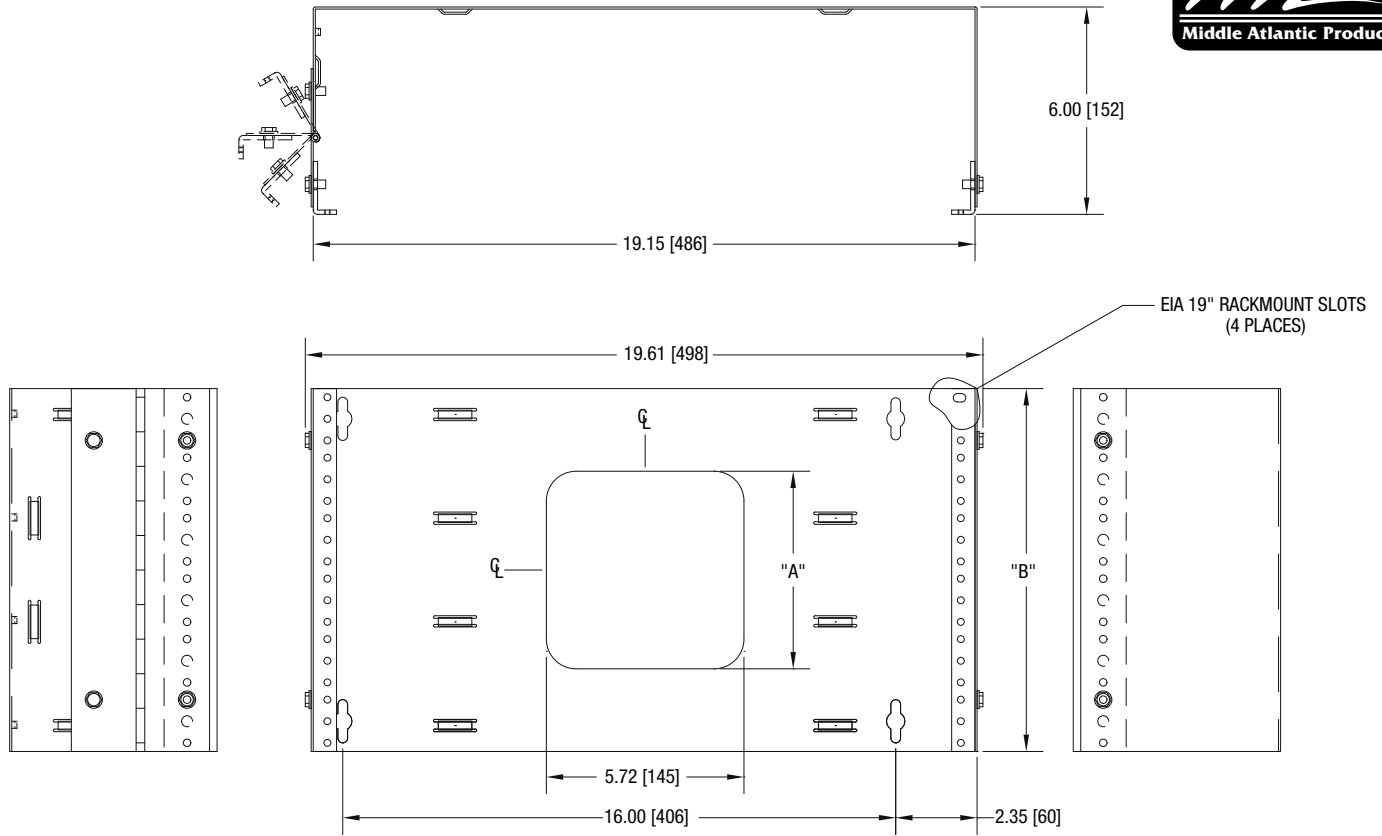
EIA/TIA 19" compliant hinged panel mount shall be Middle Atlantic Products HPM-x (x = # of rackspaces). HPM shall be constructed of the following materials: rack and continuous hinge shall be 16-gauge steel, rackrail shall be 11-gauge steel, with tapped 10-32 holes in universal EIA spacing. HPM shall be capable of being mounted to any 19" open frame rack. HPM shall be finished in a durable black powder coat. HPM shall be GREENGUARD Indoor Air Quality Certified for Children and Schools. HPM shall be RoHS EU Directive 2002/95/EC compliant. HPM shall be manufactured by an ISO 9001 and ISO 14001 registered company. HPM shall be warranted to be free from defects in material or workmanship under normal use and conditions for the lifetime of the product.

CUSTOMIZABLE SPECIFICATION CLIPS AVAILABLE AT MIDDLEATLANTIC.COM

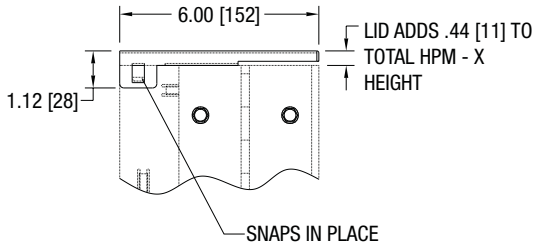
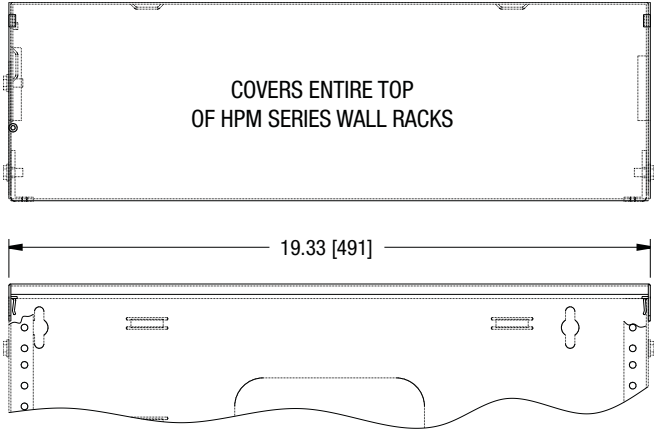
HPM basic dimensions



All dimensions in inches unless otherwise noted [All dimensions in brackets are in millimeters]



PART #	RACKING HEIGHT RACK SPACES	"A" KNOCKOUT HEIGHT
HPM-1	1.75 [44] / 1 SP	.6 [15] (2qty)
HPM-2	3.50 [89] / 2 SP	1.72 [44]
HPM-4	7.00 [178] / 4 SP	1.72 [44]
HPM-6	10.50 [267] / 6 SP	5.72 [145]



Top Dust Cover/Modem Shelf Available

Part # HPM-LID