

SNE Series Hybrid

security network enclosure

configured specifically to address the needs of hybrid security systems consisting of a mix of analog and digital equipment and cabling

features:

- Fully welded construction provides the following weight capacities:
 - UL Listed load capacity – 3,000 lbs.
 - Static load capacity – 12,000 lbs.
 - Caster load capacity – 1,600 lbs.
 - Seismic certified capacity – 1,050 lbs.
- Configurations available with active top (660 CFM) or rear (1,760 CFM) ventilation
- Ships fully configured, and includes
 - 70% open area vented front door
 - Split solid rear doors
 - Pair of split flush mount locking side panels
 - (2) vertical 10" wide Lever Lock™ accessory mounting plates
 - 6" wide vertical wire grid lace
 - 4 space cage nut rail adapter
 - Casters
 - Leveling feet
- Available in 24", 27.6" and 30" widths
- 36" and 42" overall depths
- Includes 2 pairs of 10-32 threaded fully adjustable rackrail
- Doors accommodate industry standard electronic door locks



specifications:

EIA compliant 19" gangable hybrid security network enclosure shall be Middle Atlantic Products model # SNE__H-__-A_ (refer to chart). Overall dimensions shall be __"H x __"W x __"D (refer to chart). Useable height shall be __ rackspaces, useable depth shall be __" (refer to chart). Fully welded construction shall provide a static capacity of 12,000 lbs., a UL Listed load capacity of 3,000 lbs., and casters shall provide a capacity of 1,600 lbs. SNE shall come equipped with two pairs of fully adjustable steel rackrail with tapped 10-32 mounting holes in universal EIA spacing, black e-coat finish and numbered rackspaces. SNE shall include 70% vented front door, split 3-point solid rear door, and flush locking split side panels. SNE shall include two 10" wide patent-pending Lever Lock™ tool free accessory mounting plates. SNE shall include one 6" wide vertical grid lace and 4 space cage-nut rail adapter. SNE shall have pre-threaded 5/16"-18 ganging holes. SNE shall be capable of ganging while fully loaded, using bolts only. SNE shall have active cooling, top mounted (660 CFM) or rear door mounted (1,760 CFM), refer to chart. SNE shall have marked rackrail depth indicators. SNE shall be of fully welded construction. SNE shall be finished in an environmentally friendly, durable black powder coat. SNE Series enclosures shall satisfy the 2007 & 2010 CBC; 2006, 2009 & 2012 IBC; ASCE 7-05 (2005 Edition) & ASCE 7-10 (2010 Edition) and the 2006 & 2009 editions of NFPA 5000 for use in areas of high seismicity, Seismic Use Group III, Zone 4 or Seismic Design Category (SDC) "D" with lateral force requirements for protecting 1,050 lbs. of essential equipment in locations with the highest level of seismicity and top floor or rooftop installations with an Importance factor (Ip) of 1.5 when used with SNE-Z4 seismic floor anchor bracket. SNE shall be UL Listed in the US and Canada to the UL-2416 (NWIN) category. SNE shall be GREENGUARD Gold Certified. SNE enclosure shall be RoHS EU Directive 2002 / 95 / EC compliant. SNE shall be manufactured by an ISO 9001 and ISO 14001 registered company. SNE enclosure shall be warranted to be free from defects in material or workmanship under normal use and conditions for the lifetime of the rack.

Customizable specification clips available at middleatlantic.com

EIA/TIA COMPLIANT



PRODUCT CERTIFIED FOR
LOW CHEMICAL EMISSIONS
UL.COM/GG
UL 2818



PEP
ECO
PASS
PORT®

options:

- Split lift-off cable chase shall be 4.4" wide and mount in-between enclosures, model # SNE-CC-__LT (refer to drawing for model number)
- Cable duct shall be model # SNE-__DUCT-4x6-__ and be available packaged or installed (refer to chart)
- Cable chase shall be model # SNE-__-CC12-45__ (refer to chart), and shall be 12" wide x __" deep x 83.33" high
- Front air dam/zero-U panel mount shall be model # SNE-__-FAD-PM-__ (refer to drawing for model #)
- Bracket for top cable pass-through enclosure to enclosure shall provide the ability to pass cables from enclosure to enclosure when ganged together, and shall be model number SNE-TCB-__ (36, 42, 48)
- 6" wide wire type vertical lace shall be model number LACE-WB6-__ (24, 42, 45)
- Seismic Zone-4 and Seismic Use Group III compliancy floor anchor kit shall be model # SNE-Z4

what **great systems** are built on.™

A brand of **legrand**

Middle Atlantic Products

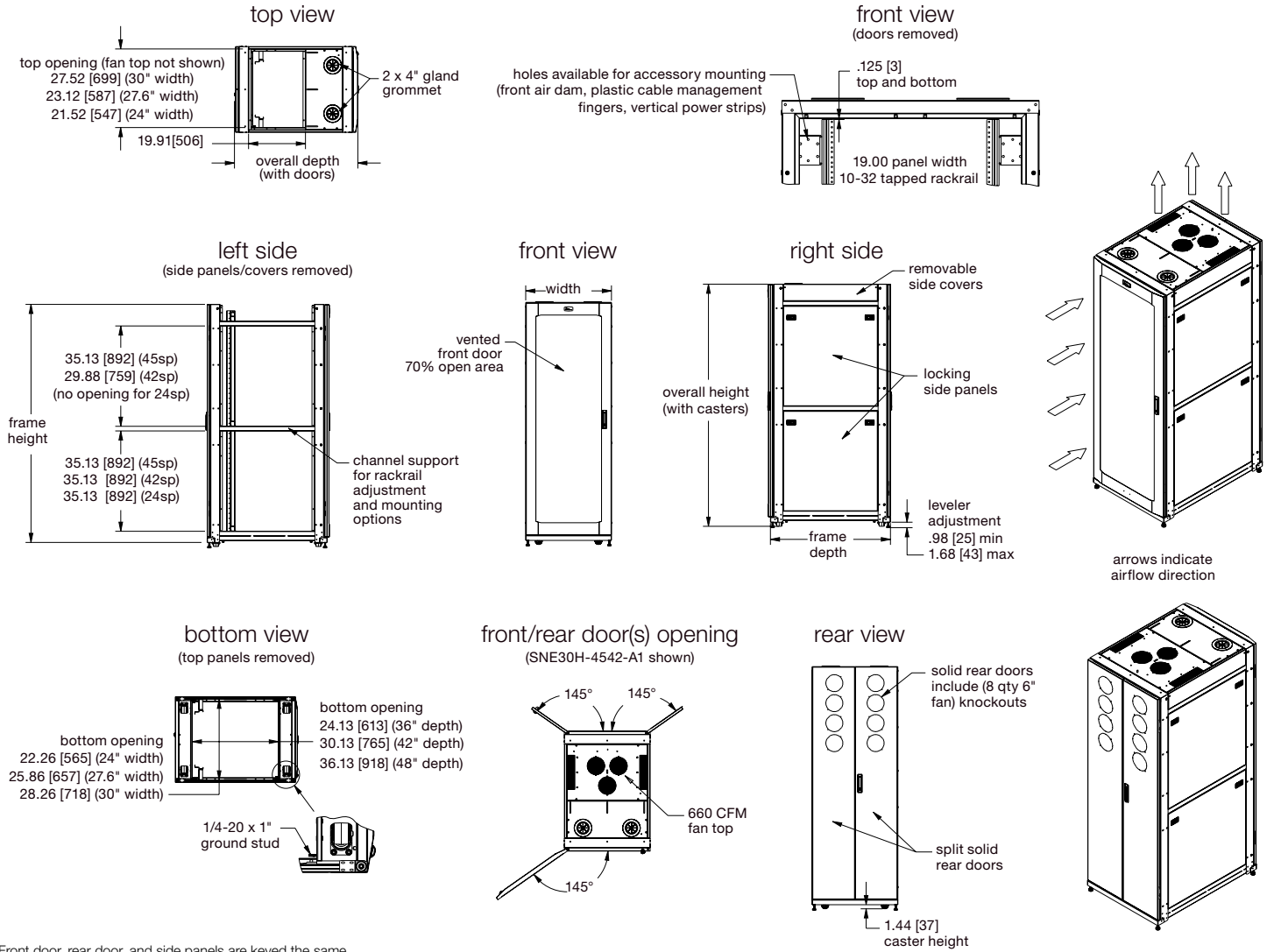
middleatlantic.com | middleatlantic.com

96-01192 / rev d / 11-17-16

SNE Series Hybrid

with active top ventilation basic dimensions

all dimensions in inches unless otherwise noted [all dimensions in brackets are in millimeters]



Note: Front door, rear door, and side panels are keyed the same

Overall Height (w/ casters)	Frame Height	24.00 [609] width		27.60 [701] width		30.00 [762] width		Solid Rear Doors with Fan Top	Solid Rear Doors w/ Fan Top & Solid Top
		36.0 [914] depth	42.0 [1067] depth	36.0 [914] depth	42.0 [1067] depth	36.0 [914] depth	42.0 [1067] depth		
24 space 48.02 [1220]	46.58 [1183]	SNE24H-2436-A1	SNE24D-2442-A1	-	-	-	-	yes	no
42 space 79.52 [2020]	78.08 [1983]	SNE24H-4236-A1	SNE24D-4242-A1	SNE27H-4236-A1	SNE27H-4242-A1	SNE30H-4236-A1	SNE30H-4242-A1	yes	no
45 space 84.77 [2153]	83.33 [2117]	SNE24H-4536-A1	SNE24D-4542-A1	SNE27H-4536-A1	SNE27H-4542-A1	SNE30H-4536-A1	SNE30H-4542-A1	yes	no

Frame Depth	Useable Depth	Overall Depth (with doors)
36.00 [914]	32.48 [825]	37.15 [944]
42.00 [1067]	38.48 [977]	43.15 [1096]
48.00 [1219]	44.48 [1130]	49.15 [1248]

what great systems are built on.™

A brand of **legrand**

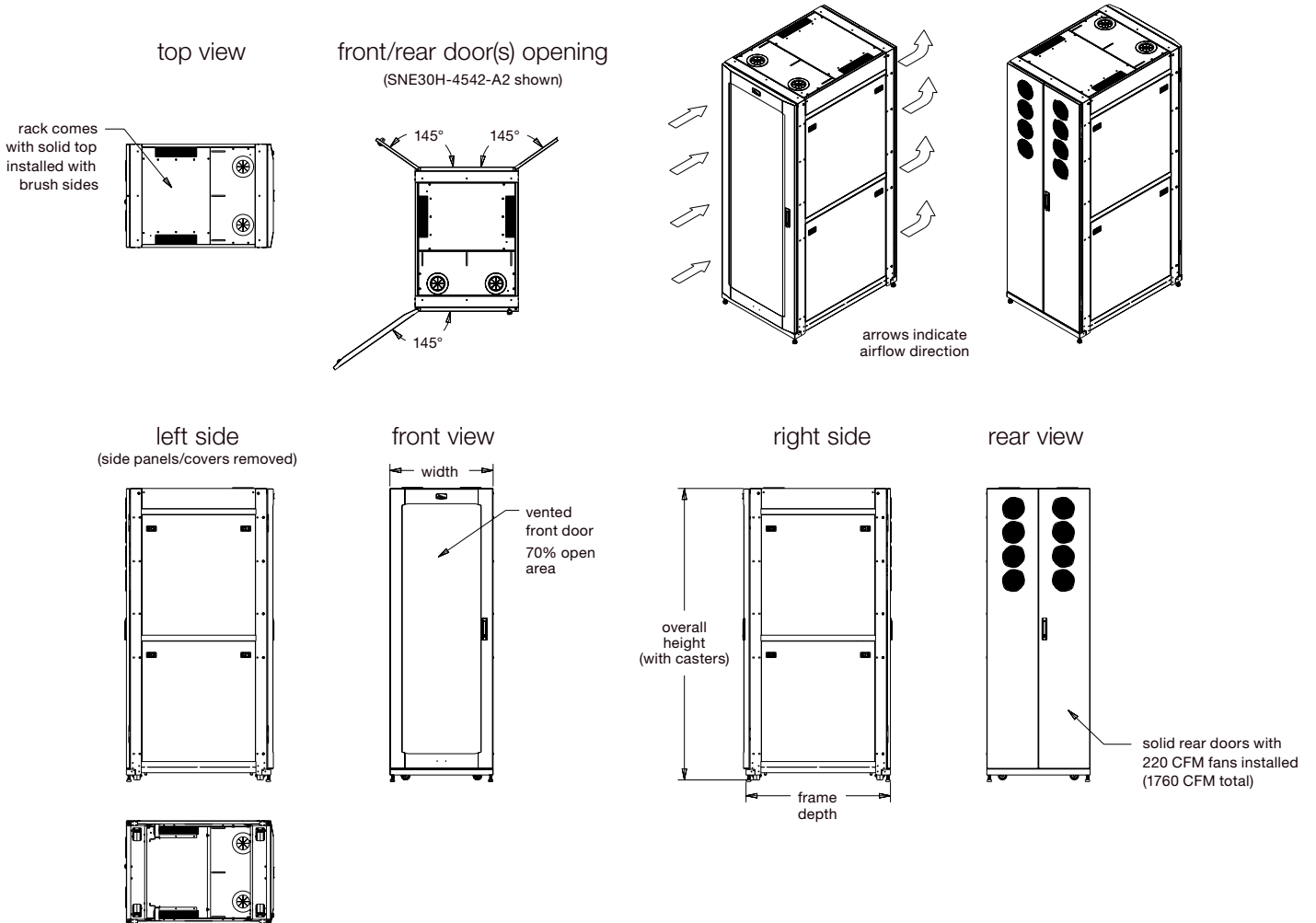
MA
Middle Atlantic Products

middleatlantic.com | middleatlantic.ca

SNE Series Hybrid

with rear active ventilation basic dimensions

all dimensions in inches unless otherwise noted [all dimensions in brackets are in millimeters]



Note: Front door, rear door, and side panels are keyed the same

Overall Height (w/ casters)	Frame Height	24.00 [609] width		27.60 [701] width		30.00 [762] width	
		36.0 [914] depth	42.0 [1067] depth	36.0 [914] depth	42.0 [1067] depth	36.0 [914] depth	42.0 [1067] depth
24 space 48.02 [1220]	46.58 [1183]	SNE24H-2436-A2	SNE24D-2442-A2	-	-	-	-
42 space 79.52 [2020]	78.08 [1983]	SNE24H-4236-A2	SNE24D-4242-A2	SNE27H-4236-A2	SNE27H-4242-A2	SNE30H-4236-A2	SNE30H-4242-A2
45 space 84.77 [2153]	83.33 [2117]	SNE24H-4536-A2	SNE24D-4542-A2	SNE27H-4536-A2	SNE27H-4542-A2	SNE30H-4536-A2	SNE30H-4542-A2

Frame Depth	Useable Depth	Overall Depth (with doors)
36.00 [914]	32.48 [825]	37.15 [944]
42.00 [1067]	38.48 [977]	43.15 [1096]
48.00 [1219]	44.48 [1130]	49.15 [1248]

what **great systems** are built on.™

A brand of **legrand**

Middle Atlantic Products

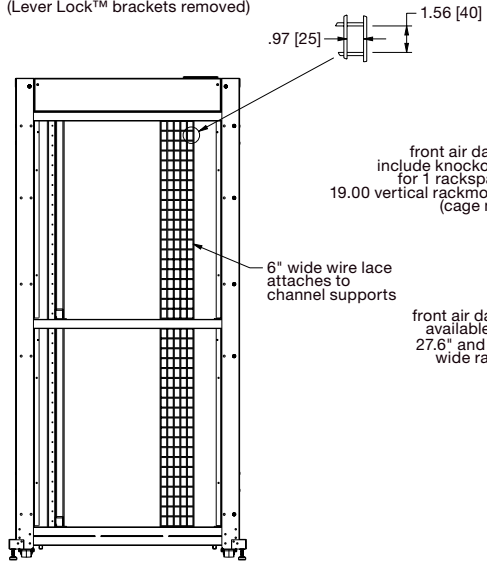
middleatlantic.com | middleatlantic.ca

SNE Series Hybrid

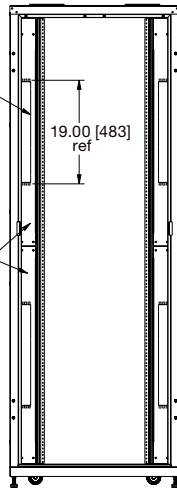
basic dimensions

all dimensions in inches unless otherwise noted [all dimensions in brackets are in millimeters]

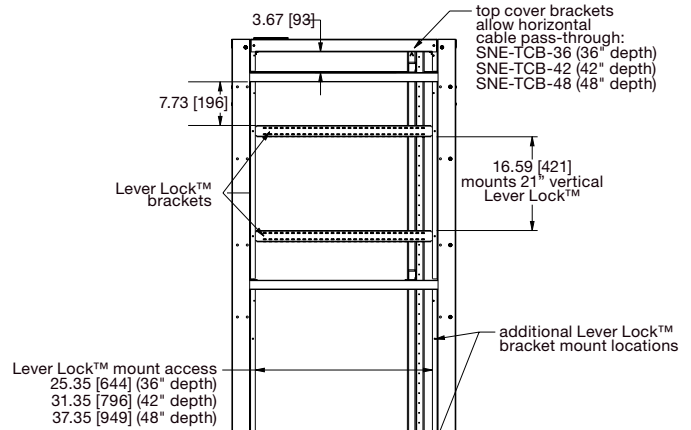
side view
(Lever Lock™ brackets removed)



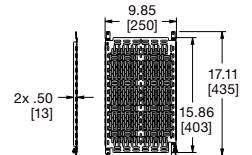
front view



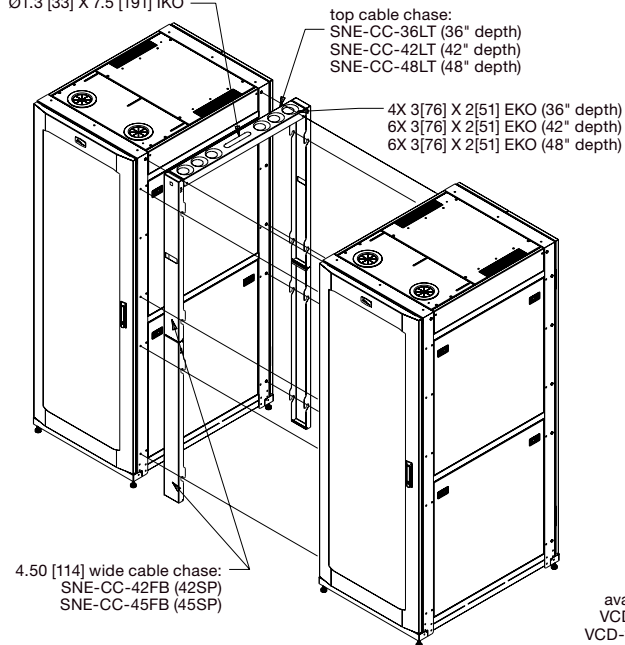
side view
(wire lace removed)



Lever Lock™ detail
LL-VP2110 shown
(2 qty included)



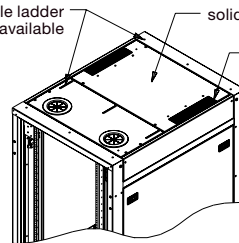
Ø1.3 [33] X 7.5 [191] IKO



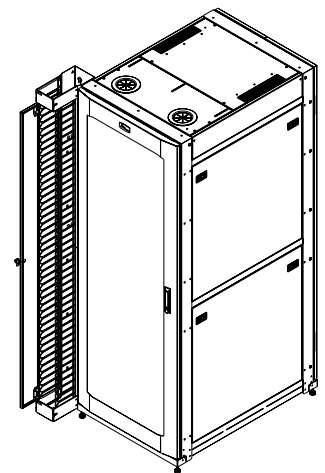
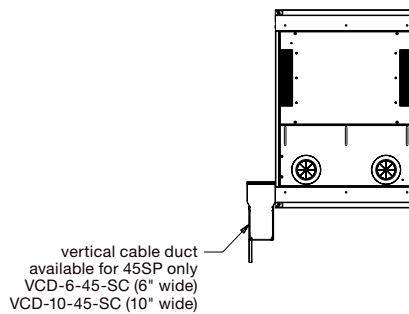
cable ladder mounting available

solid top shown

2x 12.00 x 3.00 cable opening in all top options



SNE30H-4542-A2 shown
(front/rear doors removed)



what great systems are built on.™

A brand of **legrand**

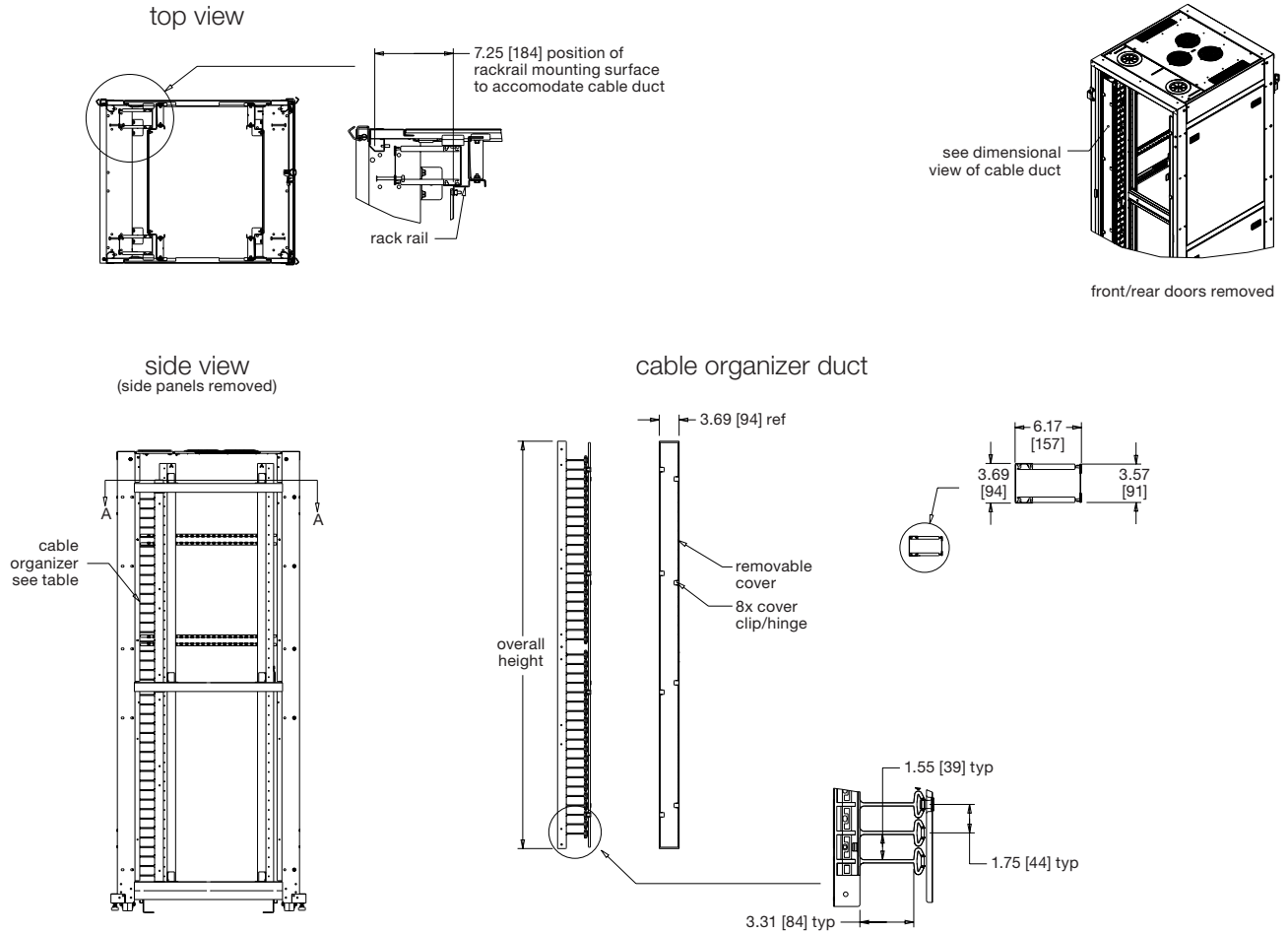
Middle Atlantic Products

middleatlantic.com | middleatlantic.ca

SNE Series

cable duct basic dimensions

all dimensions in inches unless otherwise noted [all dimensions in brackets are in millimeters]



Notes:

1. cable duct can be installed at each inside corner of the rack.
3. cable ducts are only available for 27" and 30" wide racks

Cable Duct Part Number	Overall Height	Rackspaces
SNE-42DUCT-4X6	70.50 [1791]	42 space
SNE-45DUCT-4X6	75.75 [1924]	45 space

what **great systems** are built on.™

A brand of **legrand**



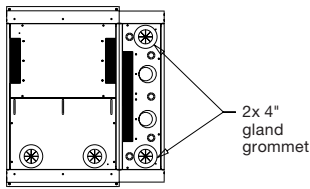
Middle Atlantic Products
middleatlantic.com | middleatlantic.ca

SNE Series

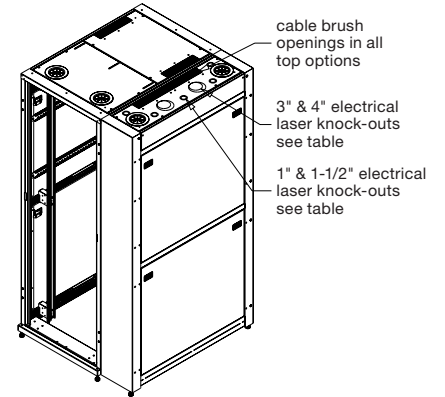
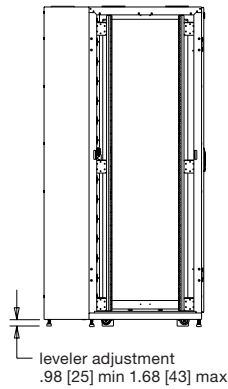
cable chase basic dimensions

all dimensions in inches unless otherwise noted [all dimensions in brackets are in millimeters]

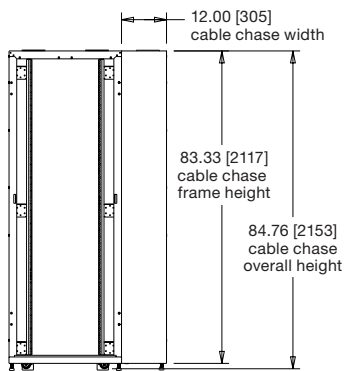
top view



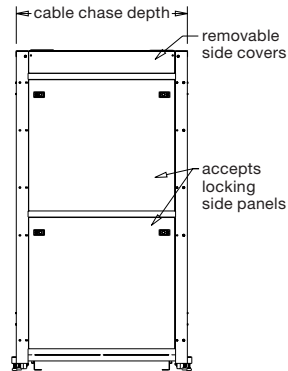
rear view



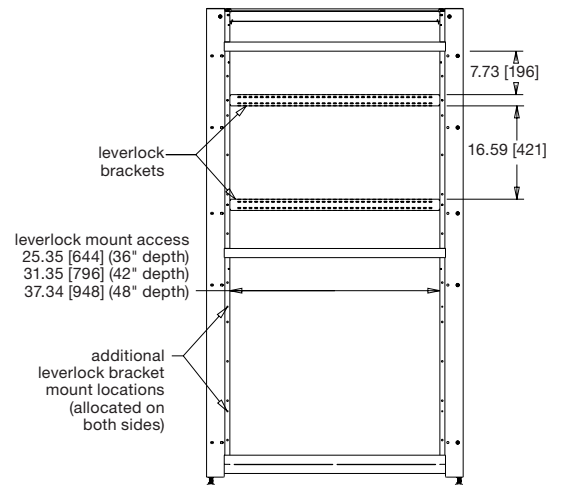
front view



right side



cable chase side view (without side panels)



- Notes:
1. cable chase shown mounted on a SNE rack enclosure
 2. cable chase can be mounted on left or right side of rack

Cable Chase Part Number	Cable Chase Depth	1" & 1-1/2" LKO (Qty)	4" & 5" LKO (Qty)	Fits SNE Racks
SNE-CC12-4536	36.00 [914]	4	1	SNEXX-4536-XX
SNE-CC12-4542	42.00 [1067]	4	1	SNEXX-4542-XX
SNE-CC12-4548	48.00 [1219]	5	2	SNEXX-4548-XX