

INSTRUCTION SHEET

MDV SERIES

MDV-DL

VIDEO DESK WITH OVERBRIDGE



THANK YOU

Thank you for purchasing the MDV-DL Video Desk With Overbridge. Please read these instructions thoroughly before assembling this product.

PRODUCT FEATURES

- Tall, open design allows both Edit Center™ and Multidesk Video™ Racks to slide underneath, saving space
- Open overbridge accommodates multiple video monitors
- Large 59" width provides ample workspace



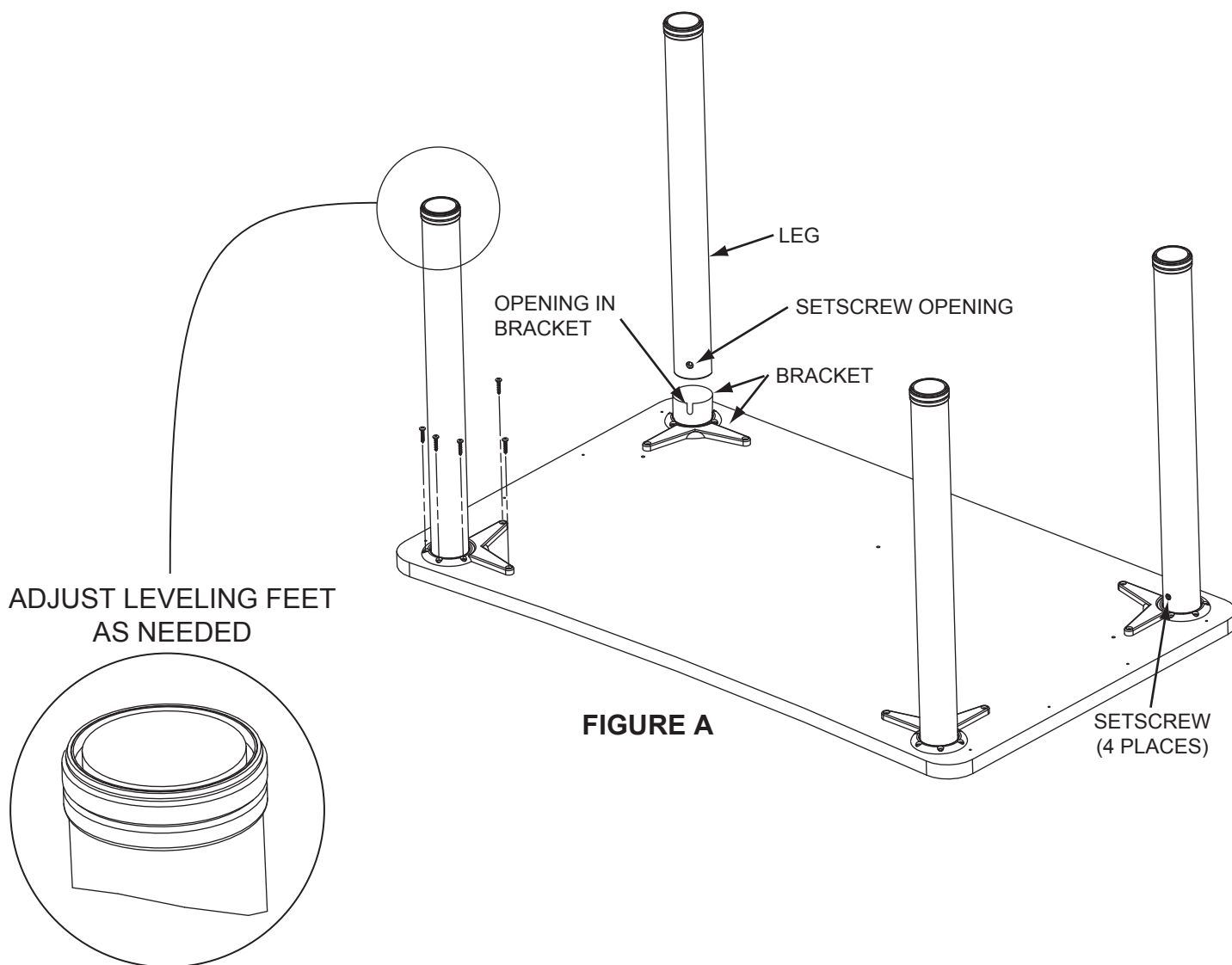
TOOLS REQUIRED:

2 Phillips Head Driver

ASSEMBLY:

- 1) Attach the brackets to the desk as shown using large screws (7) screws per leg. **(FIGURE A)**
- 2) Insert the legs into the brackets, aligning the set screw opening in the leg with the opening in the bracket. **(FIGURE A)**
- 3) Tighten all brackets using the enclosed hex key by turning the set screw 3/4 turn clockwise.

NOTE: Do not overtighten.



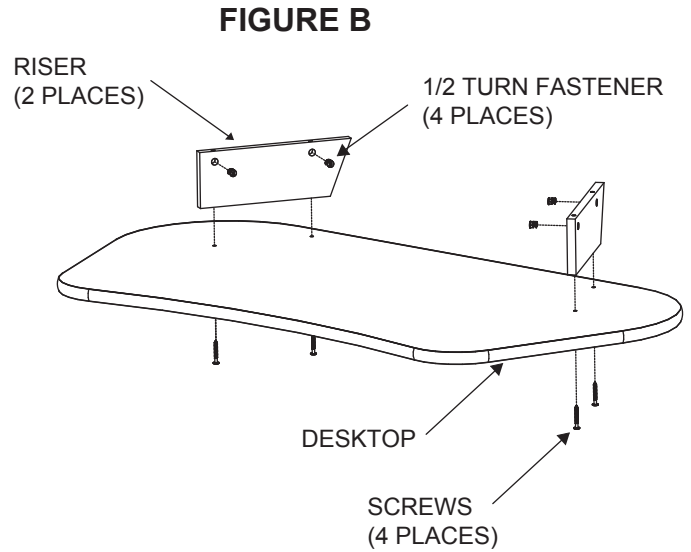
ASSEMBLY (Continued):

- 4) Install four 1/2 turn fasteners into the risers.
(FIGURE B)

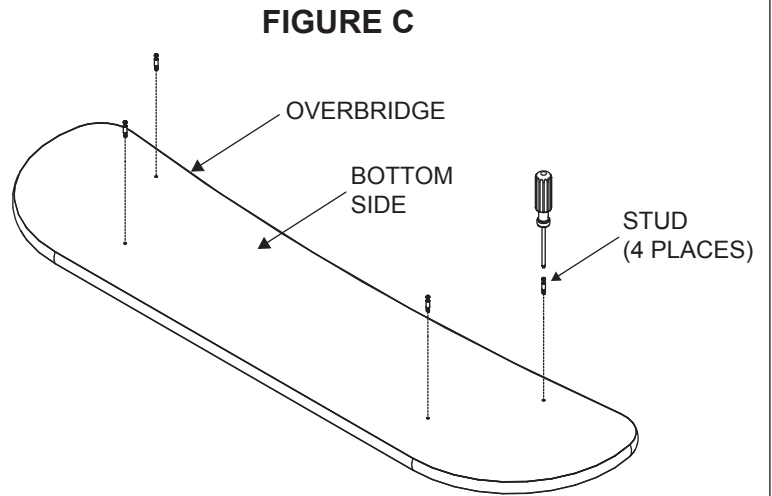


NOTE: The arrow points toward the stud.
(Indicates unlocked position)

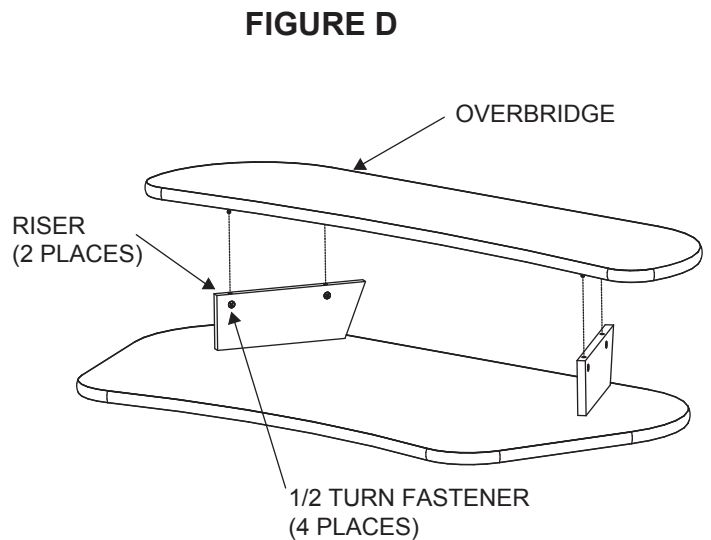
- 5) Fasten the risers to the desktop using four screws.
(FIGURE B)



- 6) Install four studs into bottom side of overbridge.
(FIGURE C)



- 7) Install overbridge to risers, aligning studs to 1/2 turn fasteners.
(FIGURE D)



- 8) To lock, tighten all 1/2 turn fasteners.



NOTE: The arrow points to the lock position.

WARRANTY

Middle Atlantic Products (the "Company") warrants the MDV-DL Series to be free from defects in material or workmanship under normal use and conditions for the lifetime of the product.

The Company's entire liability to the purchaser, and the purchaser's (or any other party's) sole and exclusive remedy, under this warranty shall be limited, at the Company's option, to either (a) return of and refund of the price paid for, or (b) repair or replacement at the Company's factory of the products purchased, or any part or parts thereof, which the Company has determined to be defective after inspection thereof at the Company's factory.

This warranty does not cover damage due to acts of God, accident, misuse, abuse or negligence by parties other than the Company, or any modification or alteration of the products. In addition, this warranty does not cover damage due to improper handling, assembly, installation or maintenance.

THIS WARRANTY IS IN LIEU OF ALL OTHER WARRANTIES OF ANY KIND, EITHER EXPRESSED OR IMPLIED, INCLUDING, BUT NOT LIMITED TO, IMPLIED WARRANTIES OF MERCHANTABILITY AND FITNESS FOR A PARTICULAR PURPOSE.

TO THE MAXIMUM EXTENT PERMITTED BY APPLICABLE LAW, IN NO EVENT SHALL THE COMPANY BE LIABLE FOR ANY SPECIAL, INCIDENTAL, INDIRECT, OR CONSEQUENTIAL DAMAGES WHATSOEVER (INCLUDING, WITHOUT LIMITATION, DAMAGES FOR LOSS OF BUSINESS PROFITS, BUSINESS INTERRUPTION OR ANY OTHER PECUNIARY LOSS) ARISING OUT OF THE USE OF THE PRODUCTS PURCHASED, EVEN IF THE COMPANY HAS BEEN ADVISED OF THE POSSIBILITY OF SUCH DAMAGES. THE COMPANY'S LIABILITY TO THE PURCHASER (OR ANY OTHER PARTY) HEREUNDER, IF ANY, SHALL IN NO EVENT EXCEED THE PURCHASE PRICE OF THE PRODUCTS PAID TO THE COMPANY.

Corporate Headquarters

Corporate Voice 973-839-1011 - Fax 973-839-1976
International Voice +1 973-839-8821 - Fax +1 973-839-4982
middleatlantic.com - info@middleatlantic.com

Middle Atlantic Canada

Voice 613-836-2501 - Fax 613-836-2690
middleatlantic.ca - customerservicecanada@middleatlantic.ca

Factory Distribution

USA: NJ - CA - IL Canada: ON - BC

At Middle Atlantic Products we are always listening. Your comments are welcome.

Middle Atlantic Products is an ISO 9001 and ISO 14001 Registered Company.