

PTRK Series

portable rack

secure rolling steel rack serves a variety of applications

features:

- Fully welded 16-gauge construction
- 1/8" thick structural steel internal braces
- Smooth-rolling 4" locking cushion casters
- Available with solid locking front door, or with graphite laminate top and plexi front door
- Removable Decora® plate for low voltage Decora® accessories
- Standard keylocked front & rear doors
- Rubber-padded spring loaded recessed handles
- Infinitely adjustable 10-32 threaded 11-gauge rackrail
- 500 lb. weight capacity
- Durable textured black powder coat finish



PTRK-14MDK
(shown with optional LCD mount)
Comes standard with wood top
and plexi front door as shown



PTRK-21

specifications:

EIA compliant 19" equipment rack shall be Middle Atlantic Products model # PTRK-___ / PTRK-___MDK (refer to chart). Overall dimensions of rack shall be ___" H x 22.63" W x ___ D (refer to chart). Useable height shall be ___ rackspaces (refer to chart). Rack shall have a 500 lb. weight capacity. Rack shall be of fully welded construction. Top, bottom and sides of PTRK-___ (refer to chart) shall be 16-gauge steel, front door shall be 18-gauge steel. Rack shall include a vented, locking and latching rear door. Removable Decora® plate on the front, top of rack shall accept any low voltage Decora® accessory. Additionally PTRK-___MDK shall include graphite laminate wood top, plexi front door and solid rear door. All structural elements shall be finished in a black powder coat. Rackrail shall be constructed of 11-gauge steel with tapped 10-32 mounting holes in universal EIA spacing with black e-coat finish and numbered rackspaces. Rack shall come equipped with smooth rolling 4" locking cushion casters and solid front and rear doors standard. Grounding and bonding stud shall be 1/4 - 20 threaded, installed in base of enclosure. Rack shall be GREENGUARD Gold Certified. Rack shall comply with the requirements of RoHS EU Directive 2002/95/EC. Rack shall be manufactured by an ISO 9001 and ISO 14001 registered company. Rack shall be warranted to be free from defects in material or workmanship under normal use and conditions for the lifetime of the product.

Customizable specification clips available at middleatlantic.com

EIA/TIA COMPLIANT



PRODUCT CERTIFIED FOR
LOW CHEMICAL EMISSIONS
UL.COM/GG
UL 2818

options:

- Rear rackrail 10-32 threaded 11-gauge, in universal EIA spacing. Part # PTRK-RRxx (x= # of rack spaces required)
- Single LCD monitor mount accommodates VESA 75 and VESA 100 monitor shall be Middle Atlantic Products part # MMB-1X1-12C
- UCP panel knockouts accommodate commonly used connectors, see middleatlantic.com for details

TEMP-DEC

- Digital Decora® mount temperature display monitors internal enclosure temperature, model # TEMP-DEC

what **great systems** are built on.™

A Group brand | **legrand**

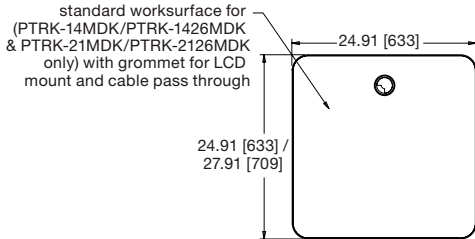
Middle Atlantic Products
middleatlantic.com | middleatlantic.ca

PTRK Series

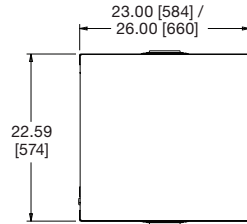
basic dimensions

all dimensions in inches unless otherwise noted [all dimensions in brackets are in millimeters]

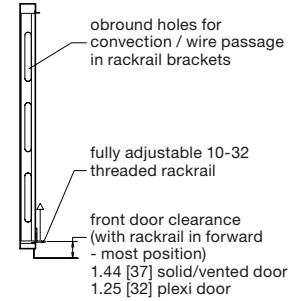
PTRK-XXMDK
top view



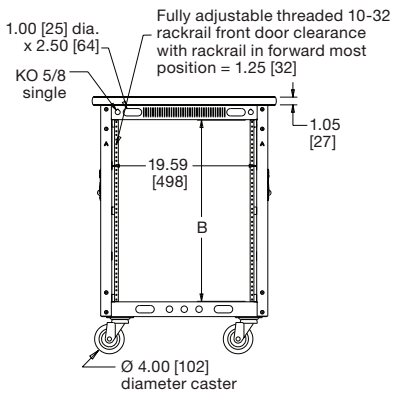
PTRK-XX
top view



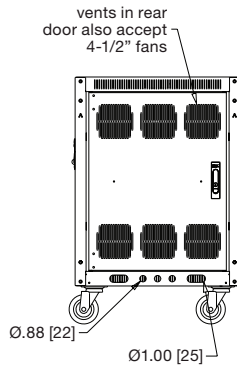
top sectional view
of PTRK side



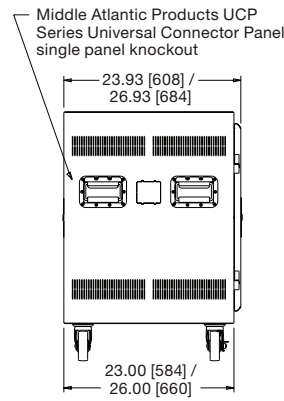
PTRK-XXMDK rear view
(with wood top shown and doors removed to show rackrail)



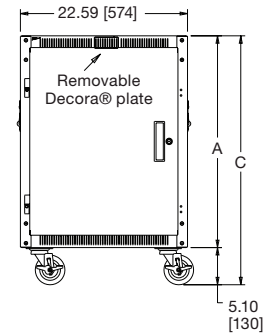
PTRK-XX rear view
(with wood top shown and doors removed to show rackrail)



side view

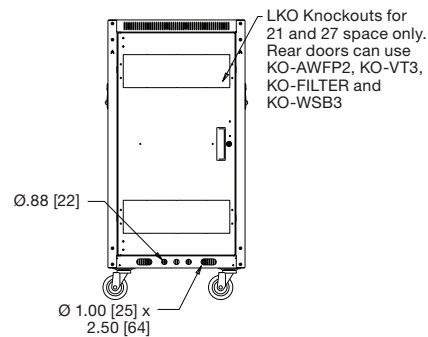


front view

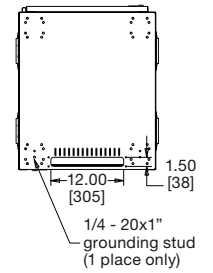


Part #	A Rack Height w/out Casters	B Useable Height	C Overall Height	Useable Depth	Overall Depth	Front Door	Rear Door
PTRK-14	28.62 [727]	24.50 [622] (14 rackspace)	33.73 [857]	21.50 [546]	23.0 [584]	solid	vented
PTRK-21	40.87 [1038]	36.75 [933] (21 rackspace)	46.0 [1168]	21.50 [546]	23.0 [584]	solid	LKO knockouts
PTRK-14MDK	29.67 [754]	24.50 [622] (14 rackspace)	34.79 [884]	21.50 [546]	24.91 [633]	plexi	vented
PTRK-21MDK	41.92 [1065]	36.75 [933] (21 rackspace)	47.0 [1195]	21.50 [546]	24.91 [633]	plexi	LKO knockouts
PTRK-1426	28.62 [727]	24.50 [622] (14 rackspace)	33.73 [857]	24.50 [622]	26.0 [660]	solid	vented
PTRK-2126	40.87 [1038]	36.75 [933] (21 rackspace)	46.0 [1168]	24.50 [622]	26.0 [660]	solid	LKO knockouts
PTRK-2726	51.37 [1305]	47.25 [1200] (27 rackspace)	56.5 [1435]	24.50 [622]	26.0 [660]	solid	LKO knockouts
PTRK-1426MDK	29.67 [754]	24.50 [622] (14 rackspace)	34.79 [884]	24.50 [622]	27.91 [709]	plexi	vented
PTRK-2126MDK	41.92 [1065]	36.75 [933] (21 rackspace)	47.04 [1195]	24.50 [622]	27.91 [709]	plexi	LKO knockouts
PTRK-2726MDK	52.42 [1331]	47.25 [1200] (27 rackspace)	57.52 [1461]	24.50 [622]	27.91 [709]	plexi	LKO knockouts

rear view
(without wood top, 21 and 27 space)



bottom view
(casters removed)



what great systems are built on.™