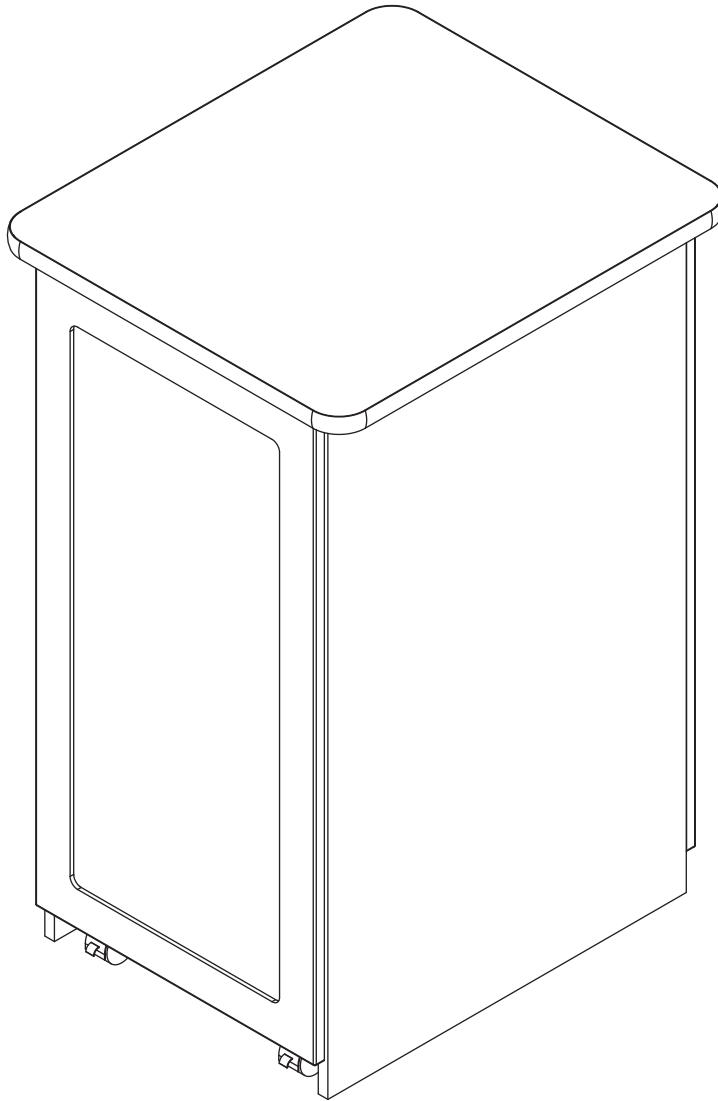


INSTRUCTION SHEET
S24D SERIES
EDIT CENTER ISOLATION RACK



THANK YOU

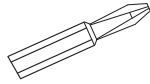
Thank you for purchasing the S24D Edit Center Isolation Rack. Please read these instructions thoroughly before installing this product.

PRODUCT FEATURES

- Sturdy design
- Sound baffling system reduces fan noise
- Complements Edit Center Side Bay

TOOLS REQUIRED

#2 Phillips screw driver or bit



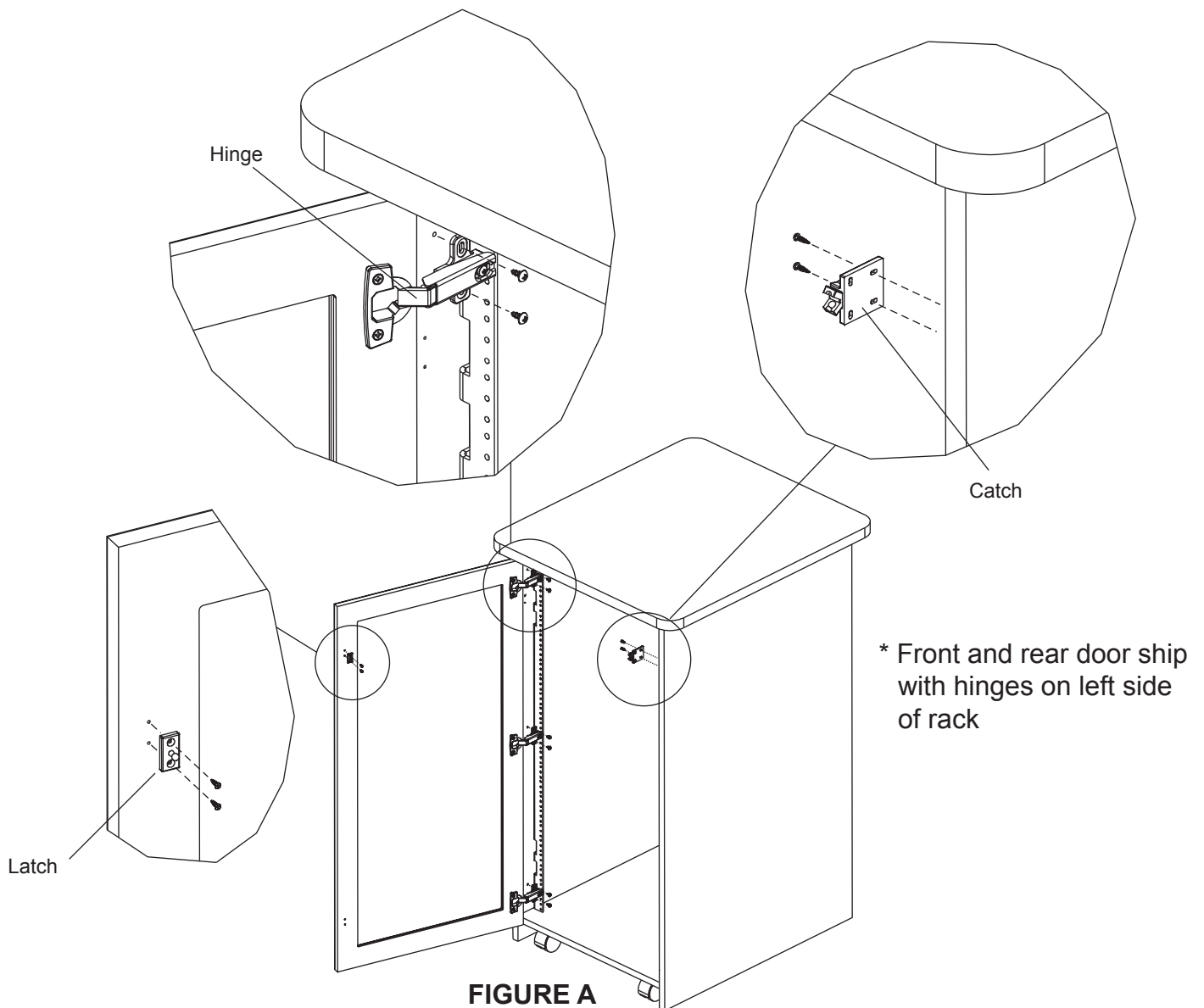
TOOLS RECOMMENDED

Power driver

ASSEMBLY

TO CHANGE FRONT DOOR SWING*:

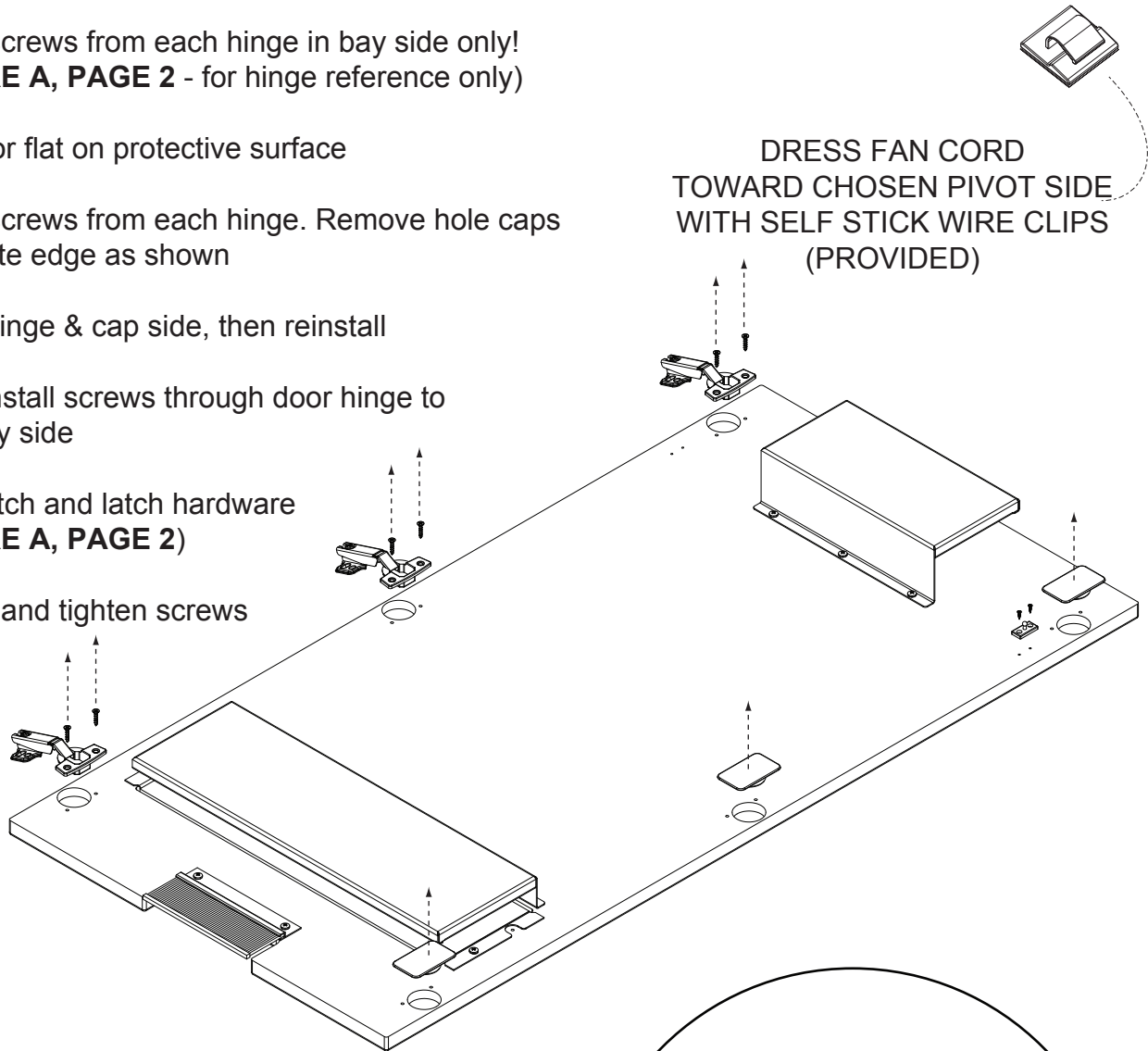
- 1) Remove catch and latch hardware
- 2) Remove 2 screws from each hinge on bay side only!
- 3) Flip door and loosely reinstall screws in opposite bay side
- 4) Reinstall catch and latch in appropriate locations
- 5) Adjust door and tighten screws



OPTION

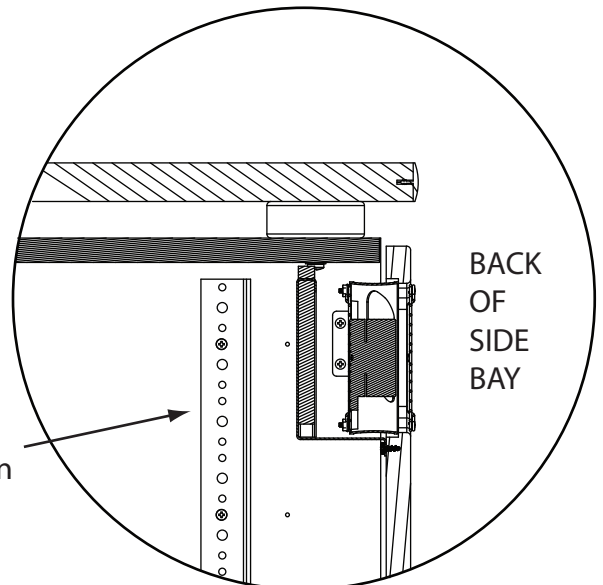
TO CHANGE REAR DOOR SWING

- 1) Remove catch and latch hardware (see **FIGURE A, PAGE 2**)
- 2) Remove 2 screws from each hinge in bay side only!
(see **FIGURE A, PAGE 2** - for hinge reference only)
- 3) Position door flat on protective surface
- 4) Remove 2 screws from each hinge. Remove hole caps from opposite edge as shown
- 5) Exchange hinge & cap side, then reinstall
- 6) Loosely reinstall screws through door hinge to opposite bay side
- 7) Reinstall catch and latch hardware (see **FIGURE A, PAGE 2**)
- 8) Adjust door and tighten screws



Note: When rear mounting equipment in the upper rackspaces, rear rackrail must be moved to the setback position as shown

Rear rackrail in setback position



WARRANTY

Middle Atlantic Products (the "Company") warrants the S24D Edit Center Isolation Rack to be free from defects in material or workmanship under normal use and conditions for a period of seven (7) years from date of shipment by the Company.

The Company's entire liability to the purchaser, and the purchaser's (or any other party's) sole and exclusive remedy, under this warranty shall be limited, at the Company's option, to either (a) return of and refund of the price paid for, or (b) repair or replacement at the Company's factory of the products purchased, or any part or parts thereof, which the Company has determined to be defective after inspection thereof at the Company's factory.

This warranty does not cover damage due to acts of God, accident, misuse, abuse or negligence by parties other than the Company, or any modification or alteration of the products. In addition, this warranty does not cover damage due to improper handling, assembly, installation or maintenance.

THIS WARRANTY IS IN LIEU OF ALL OTHER WARRANTIES OF ANY KIND, EITHER EXPRESSED OR IMPLIED, INCLUDING, BUT NOT LIMITED TO, IMPLIED WARRANTIES OF MERCHANTABILITY AND FITNESS FOR A PARTICULAR PURPOSE.

TO THE MAXIMUM EXTENT PERMITTED BY APPLICABLE LAW, IN NO EVENT SHALL THE COMPANY BE LIABLE FOR ANY SPECIAL, INCIDENTAL, INDIRECT, OR CONSEQUENTIAL DAMAGES WHATSOEVER (INCLUDING, WITHOUT LIMITATION, DAMAGES FOR LOSS OF BUSINESS PROFITS, BUSINESS INTERRUPTION OR ANY OTHER PECUNIARY LOSS) ARISING OUT OF THE USE OF THE PRODUCTS PURCHASED, EVEN IF THE COMPANY HAS BEEN ADVISED OF THE POSSIBILITY OF SUCH DAMAGES. THE COMPANY'S LIABILITY TO THE PURCHASER (OR ANY OTHER PARTY) HEREUNDER, IF ANY, SHALL IN NO EVENT EXCEED THE PURCHASE PRICE OF THE PRODUCTS PAID TO THE COMPANY.

Corporate Headquarters

Corporate Voice 973-839-1011 - Fax 973-839-1976
International Voice +1 973-839-8821 - Fax +1 973-839-4982
middleatlantic.com - info@middleatlantic.com

Middle Atlantic Canada

Voice 613-836-2501 - Fax 613-836-2690
middleatlantic.ca - customerservicecanada@middleatlantic.ca

Factory Distribution

USA: NJ - CA - IL Canada: ON - BC

At Middle Atlantic Products we are always listening. Your comments are welcome.

Middle Atlantic Products is an ISO 9001 and ISO 14001 Registered Company.

