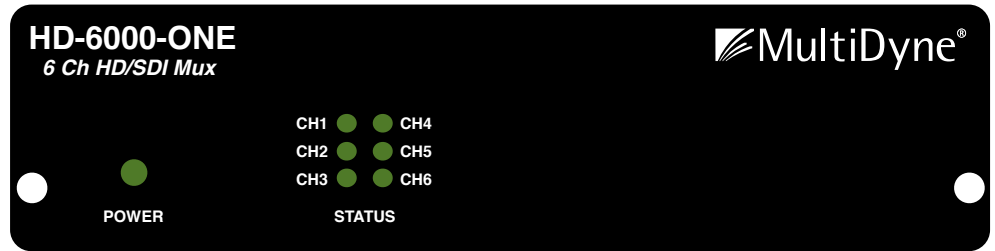


## Features

- 18 SDI signals on 18 or ONE fiber
- Fiber transport from 19.4Mbps to 3Gbps
- Supports SMPTE 424M, 292M, 259M, 310M, 344M, 305M & DVB-ASI
- Equalizes 120m of Gepco VSD2001 or Belden 1694A cable at 3 Gb/sec
- Equalizes 150m of Gepco VSD2001 or Belden 1694A cable at 1.485 Gbps
- Supports embedded audio and data
- Plug and play
- Optional OLED display for system status and reclocking on/off
- Easy access to installed fiber infrastructures
- Small and portable
- Faster set and strike with fewer cables
- SEVEN year warranty

## Applications

- Sports Broadcasting
- Shared control rooms
- Remote studios/STL's
- Tele-Medicine
- Distance learning
- Corporate A/V
- Taking advantage of stadium and campus fiber infrastructures



## The HD Trunking Solution That You Have Waited For! Say Goodbye to Heavy Coax and Hello To the HD-6Pack

The HD-6Pack series has been designed for OB operators and anyone who needs to trunk multiple uncompressed SDI signals over fiber. Never before has a multi-channel SDI-over-fiber system been so easy to use AND so portable. In just one RU, you can transport up to 18 SDI signals up to 3Gbps without compression on a few as just three singlemode fibers. The HD-6000's use LED's to indicate signal presence and optical link status while the 6000D's utilize a color OLED display and button cursor to provide easy monitoring and plain language descriptions of all essential system parameters and re-clocking on/off control.

Since the SDI signals are not compressed, the HD-6Pack can be used in conjunction with other MultiDyne SDI transport components to create custom signal topographies including point-to-point and point-to-multipoint links.

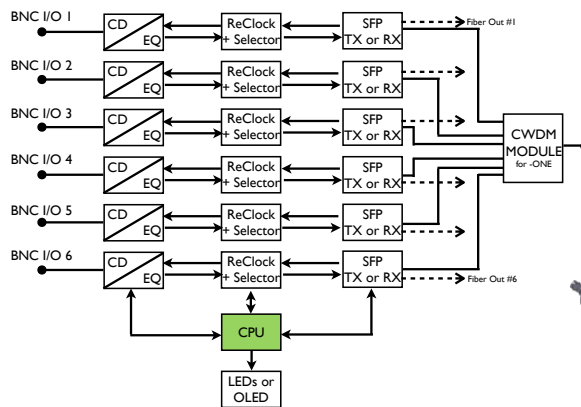
The HD-6Pack features a 1:1 ration between SDI signals and optical fibers. For facilities where fiber is abundant, this is, by far, the most economical solution available.

If fibers are at a premium, the HD-6Pack-ONE's use an integrated CWDM passive optical multiplexer to get those six signals onto just one fiber. By Integrating the CWDM we eliminate the need for external patching. The HD-6Pack's can also be factory-configured for 6 to 18 signals in one direction, or any combination toe TX and RX to adapt to any signal requirement.

The HD-6Pack's can be used as stand-alone devices ans the HD-12Pack and HD-18Pack or a 1RU unit. So whether you are optimizing your fibers within a permanent campus or studio infrastructure, linking an "A" and "B" OB unit together or getting the most out of available fibers at the stadium, we have you covered.

The HD-6Pack and HD-6Pack-ONE. Providing the easiest, the most portable and the most cost efficient way to move more full bandwidth HD-SDI video over distances up to 10km on fewer fibers. And backed by our industry-leading 7 year warranty.

Designed and manufactured in New York.



## Specifications

### SDI Input/Output

Bit Rates: 19.4Mbps to 3Gbps  
 Connectors: BNC  
 Impedance: 75 Ohms  
 Signal Level: 800 mV nominal pp  
 Standard: SMPTE 425M, 344M, 310M, 297M, 292M, 259M-C, DVB-ASI  
 Return Loss: >15 dB at 5 MHz - 1.485 GHz  
 >10 dB at 1.5 GHz to 3 GHz  
 Jitter(wideband):HD: < 0.3 UI

### Optical Input/Output

Data Rates: Up to 3Gbps/Ch.  
 Connectors: ST, SC, LC, FC  
 RX Input: -5 to -20 dBm  
 TX Output: -3 dBm typical  
 Output: Muxed CWDM freq. 1250 - 1650nm  
 Typ. Range: > than 10km

### Electrical/Mechanical/Environmental

Dimensions: 6.75" x 5.5" x 1.75" HD-6000  
 Weight: 1 lb.  
 Dimensions: 19" x 5.5" x 1.75" HD-12000 & HD-18000  
 Weight: 3 lb.  
 Power: 9-24 VDC, <20 watts  
 Temperature: 0 to +55C  
 Humidity: 0 to 95% non-condensing

## Ordering Information

Model	HD-6Pack - Select ST or SC
HD-6000-TX-ST	6 Ch. 3.0 Gbps SDI Video TX @ 1310nm, 6 fibers, for: SD/HD/3G-SDI, DVB ASI, SMPTE 310M
HD-6000-RX-ST	6 Ch. 3.0 Gbps SDI Video RX, 6 fibers, for: SD/HD/3G-SDI, DVB ASI, SMPTE 310M
HD-6000-ONE-TX-ST	6 Ch. 3.0 Gbps SDI Video TX, ONE fiber, for: SD/HD/3G-SDI, DVB ASI, SMPTE 310M
HD-6000-ONE-RX-ST	6 Ch. 3.0 Gbps SDI Video RX, ONE fiber, for: SD/HD/3G-SDI, DVB ASI, SMPTE 310M
HD-6000-3x3-TRX-ST	3x3 Ch. 3.0 Gbps SDI Video transceiver, 6 fibers, for: SD/HD/3G-SDI, DVB ASI, SMPTE 310M
HD-6000-3x3-ONE-ST	3x3 Ch. 3.0 Gbps SDI Video transceiver, ONE fiber, for: SD/HD/3G-SDI, DVB ASI, SMPTE 310M
	4x2 & 2x4 and 1x5 & 5x1 also available. Ask your MultiDyne representative for details
Accessories	
RMT	Rack mount kit, 1 RU for up to three, triple sized modules
BP-T	Blank plate, triple
HD-3000-PS	Spare Power Supply for HD-3000, USB-200, FS-6000 & HD-1500 units

Model	HD-12Pack - 1RU - Select ST or SC
HD-12000-TX-ST	12 Ch. 3.0 Gbps SDI Video TX @ 1310nm, 12 fibers, for: SD/HD/3G-SDI, DVB ASI, SMPTE 310M
HD-12000-RX-ST	12 Ch. 3.0 Gbps SDI Video RX, 6 fibers, for: SD/HD/3G-SDI, DVB ASI, SMPTE 310M
HD-12000-ONE-TX-ST	12 Ch. 3.0 Gbps SDI Video TX, ONE fiber, for: SD/HD/3G-SDI, DVB ASI, SMPTE 310M
HD-12000-ONE-RX-ST	12 Ch. 3.0 Gbps SDI Video RX, ONE fiber, for: SD/HD/3G-SDI, DVB ASI, SMPTE 310M
	4x2 & 2x4 and 1x5 & 5x1 also available. Ask your MultiDyne representative for details
Accessories	
HD-3000-PS	Spare Power Supply for HD-18000 unit

Model	HD-12Pack - 1RU - Select ST or SC
HD-18000-TX-ST	18 Ch. 3.0 Gbps SDI Video TX @ 1310nm, 18 fibers, for: SD/HD/3G-SDI, DVB ASI, SMPTE 310M
HD-18000-RX-ST	18 Ch. 3.0 Gbps SDI Video RX, 6 fibers, for: SD/HD/3G-SDI, DVB ASI, SMPTE 310M
HD-18000-ONE-TX-ST	18 Ch. 3.0 Gbps SDI Video TX, ONE fiber, for: SD/HD/3G-SDI, DVB ASI, SMPTE 310M
HD-18000-ONE-RX-ST	18 Ch. 3.0 Gbps SDI Video RX, ONE fiber, for: SD/HD/3G-SDI, DVB ASI, SMPTE 310M
	4x2 & 2x4 and 1x5 & 5x1 also available. Ask your MultiDyne representative for details
Accessories	
HD-18000-PS	Spare Power Supply for HD-18000 unit

