

Overview

The Active Component Video Balun Kit allows component video, analog stereo audio and/or digital audio, plus one IR-emitter signal to be transmitted via one (1) Cat5E/6 cable in a point-to-point configuration.

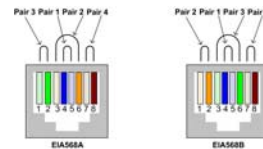
The product supports simultaneous stereo audio and digital audio transmission. The product provides an IR-emitter pass-through connectivity, supports up to 1080p resolution, and features manual brightness and sharpness adjustments. Applications include digital signage, residential, boardroom, classroom, and home theatre video systems.



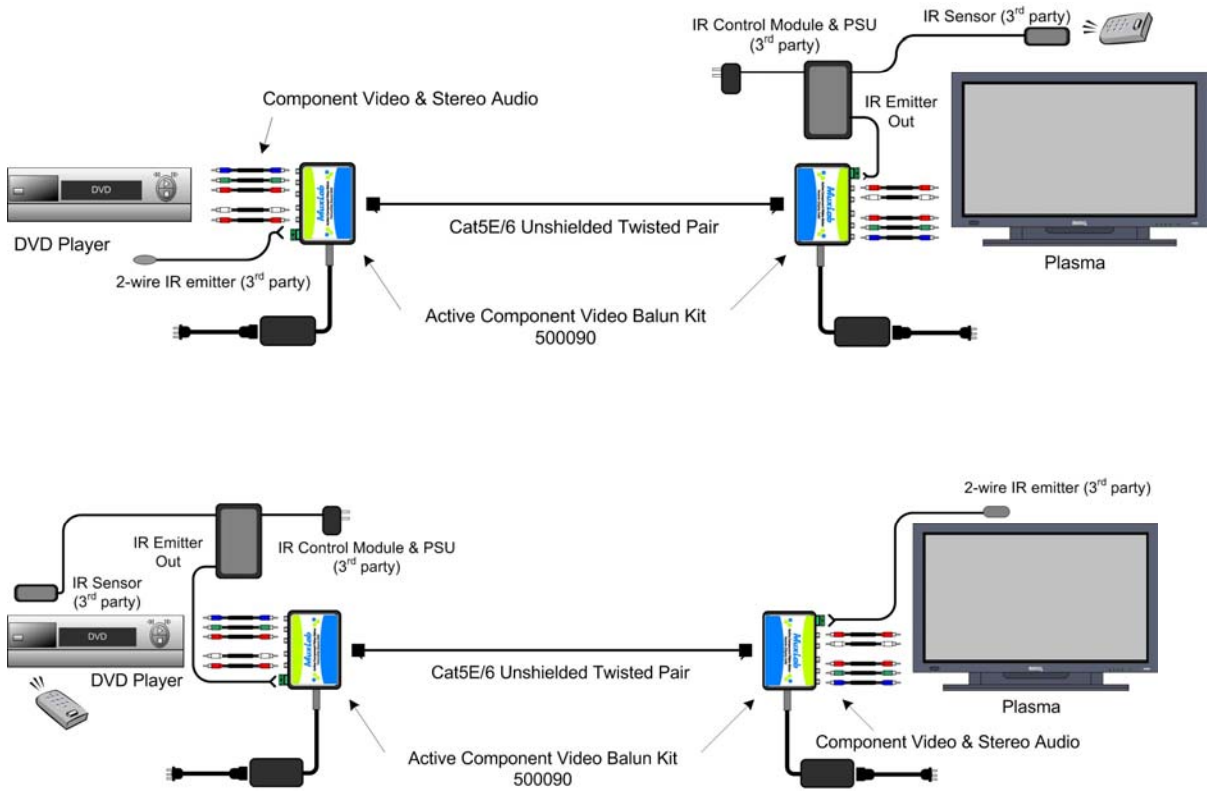
Key Features

- Up to 1,000 ft (305m) via Cat5e/6 @ 480i/p
- Up to 500 ft (152m) via Cat5e/6 @ 1080p
- Supports simultaneous stereo and digital audio
- IR-Emitter pass-through
- Manual brightness compensation
- Manual sharpness compensation
- Ground loop isolation

Specifications	
Environment	Component Video with Analog Stereo and/or Digital Audio, IR-Emitter Pass-Through
Devices	DVD Players, Satellite Receivers, PCs, laptops, CRT monitors, LCD monitors, plasma screens, DLP projectors
Transmission	Transparent to the user
Video Bandwidth	Up to 220 MHz (1080p)
3dB Analog Audio BW	20 Hz to 20 KHz over the distance range
Input Impedance	Video & Digital Audio RCA: 75 ohms; Stereo Audio: 2.2 Kohms
Output Impedance	Cat 5e: 100 ohms
Connectors: Transmitter	Component Input: 3 x female RCAs Stereo Audio Input: 2 x female RCAs Digital Audio Input: female RCA IR-Emitter Pass-Through: 2 position terminal block Transmitter Output (Cat 5e): RJ45 shielded
Connectors: Receiver	Receiver Input (Cat 5e): RJ45 shielded Component Output: 3 x female RCAs Stereo Audio Output: 2 x female RCAs Digital Audio Output: female RCA IR-Emitter Pass-Through: 2 position terminal block
Max Distance: Component Video (Y/Pb/Pr) via Cat 5e UTP Cable (or better)	480i/p: 1,000 ft (305 m) 720p/1080i: 500 ft (152 m) 1080p: 500 ft (152 m)
Max Distance: Audio (Stereo/Digital) via Cat 5e UTP Cable (or better)	Analog Stereo Audio: 1,000 ft (305 m) Digital Audio: 1,000 ft (305 m)
RJ45 Pin Configuration Reverse Polarity Sensitive Use EIA/TIA 568A or 568B, straight-through wiring	Green (Y): Pin 1 [R] Pin 2 [T] Blue (Pb): Pin 4 [R] Pin 5 [T] Red (Pr): Pin 7 [R] Pin 8 [T] IR-Emitter Pass-Through: Pin 3 [R] Pin 6 [T]
Brightness Adjustment	Brightness control via rotary switch on receiver (factory default setting: Zero gain)
Sharpness Adjustment	Sharpness control via potentiometer on receiver (factory default: fully counterclockwise)
LED Indicators	Tx Balun: Power: One (1) green LED Rx Balun: Power: One (1) green LED
Cable	Cat 5e unshielded twisted pair (or better)
Power Supplies (2)	110-240V/12VDC/0.5A, 12VDC power jacks Removable AC blades included for North America, Continental Europe & UK
Temperature	Operating: 0° C to 40° C Storage: -10° C to 70° C Humidity: Up to 95% non-condensing
Enclosure	Black. ABS fire retardant plastic
Dimensions	6" x 4.25" x 1.50" (15.3 cm x 10.8 cm x 3.8 cm)
Weight	2.8 lbs (1.3 kg)
Regulatory	FCC/CE, RoHS
Warranty	Two (2) years
Order Information	500090: Active Component Video Balun Kit



Typical Application



Rear Panels

