

VGA 4x1 Switcher 500160 [110V], 500161 [220-240V]

Overview

The VGA 4x1 Switcher allows up to four (4) VGA (RGBHV) sources to be switched to one (1) display via Cat5e/6 cable for more cost-efficient cabling. The switcher works in conjunction with the Active VGA Balun II (500140) and Active VGA Balun II Transmitter (500141). At least one (1) 500140 is required to support one (1) source and one (1) display. Up to three (3) additional 500141 may be added to support up to three (3) additional sources.

Applications

Digital signage, boardroom systems, multi-room systems, classroom training, retail systems, electronic billboards, electronic signs, video kiosks, point-of-sale displays, in-store video.



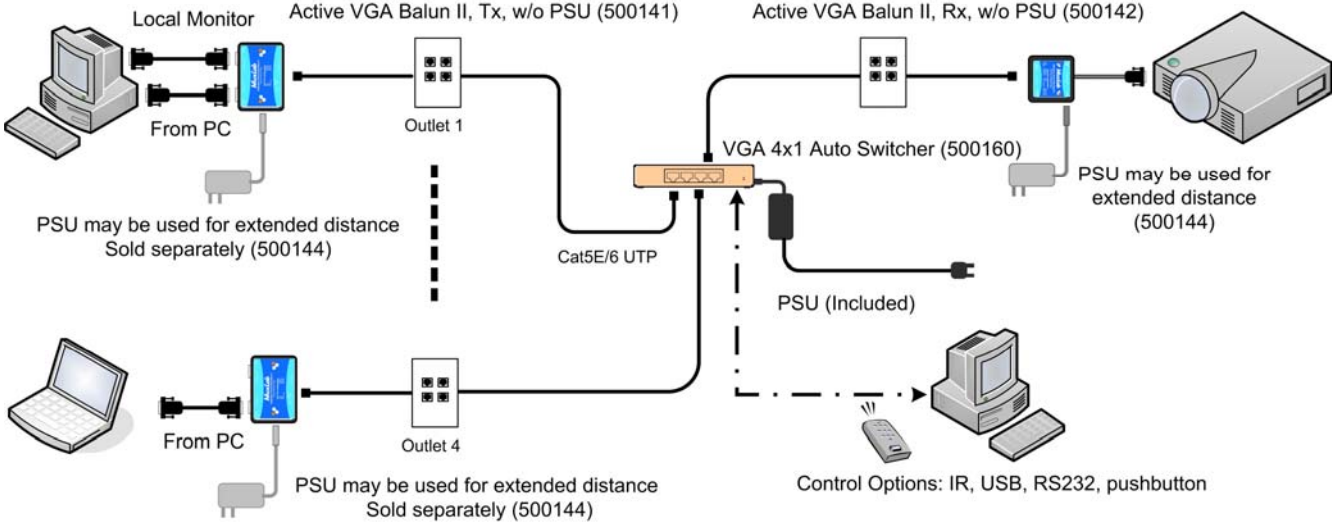
Features

- Auto and Manual switching modes
- Control via: manual, IR, RS232 and USB
- Plug and Play – DDC1 Compliant
- Remote power up to 150 ft (46 m)
- Modular RJ45 on input and output
- Supports up to 1920 x 1440, 1080p
- Includes GUI software and IR remote
- Works in conjunction with 500140/141/142
- May be cascaded with VGA 1x4 Hub (500150)

Specifications																	
Environment	VGA. VESA VP&D 1.0, VIP ver 2.0 and DDC1																
Devices	PCs, laptops, CRT monitors, LCD monitors, plasma screens, DLP projectors.																
Transmission	Transparent to the user.																
Bandwidth	Up to 280 MHz (1920 x 1440 resolution), 1080p																
Impedance: Video	Coax: 75 ohms UTP: 100 ohms																
Connectors	VGA Input (Cat5E/6): Four (4) RJ45 shielded VGA Output (Cat5E/6): One (1) RJ45 shielded USB and RS232 connectors for switcher control																
DDC Control	Transmits DDC control signals on RJ45 pins 4&5 for Plug-and-Play operation.																
Remote Power	Transmits remote DC power on RJ45 pins 4&5																
Maximum Distance – Remote Power	Transmitter Balun to Switcher: 150 ft (46 m) Switcher to Receiver Balun: 150 ft (46 m)																
Maximum Distance – VGA Source to Display	<table border="0"> <tr> <td>640 x 480 (VGA):</td> <td>1,000 ft (305 m)</td> <td>1366 x 768 (WXGA):</td> <td>850 ft (260 m)</td> </tr> <tr> <td>800 x 600 (SVGA):</td> <td>1,000 ft (305 m)</td> <td>1680 x 1050 (WSXGA):</td> <td>850 ft (260 m)</td> </tr> <tr> <td>1024 x 768 (XGA):</td> <td>1,000 ft (305 m)</td> <td>1600 x 1200 (UXGA):</td> <td>800 ft (245 m)</td> </tr> <tr> <td>1280 x 1024 (SXGA):</td> <td>850 ft (260 m)</td> <td>1920 x 1200 (WUXGA):</td> <td>600 ft (180 m)</td> </tr> </table>	640 x 480 (VGA):	1,000 ft (305 m)	1366 x 768 (WXGA):	850 ft (260 m)	800 x 600 (SVGA):	1,000 ft (305 m)	1680 x 1050 (WSXGA):	850 ft (260 m)	1024 x 768 (XGA):	1,000 ft (305 m)	1600 x 1200 (UXGA):	800 ft (245 m)	1280 x 1024 (SXGA):	850 ft (260 m)	1920 x 1200 (WUXGA):	600 ft (180 m)
640 x 480 (VGA):	1,000 ft (305 m)	1366 x 768 (WXGA):	850 ft (260 m)														
800 x 600 (SVGA):	1,000 ft (305 m)	1680 x 1050 (WSXGA):	850 ft (260 m)														
1024 x 768 (XGA):	1,000 ft (305 m)	1600 x 1200 (UXGA):	800 ft (245 m)														
1280 x 1024 (SXGA):	850 ft (260 m)	1920 x 1200 (WUXGA):	600 ft (180 m)														
<i>Switcher may be placed anywhere in between</i>																	
RJ45 Pin Configuration Reverse Polarity Sensitive Use EIA/TIA 568A or 568B straight-through wiring	<table border="0"> <tr> <td>Red</td> <td>Pin 7 (R)</td> <td>Pin 8 (T)</td> </tr> <tr> <td>Green</td> <td>Pin 3 (R)</td> <td>Pin 6 (T)</td> </tr> <tr> <td>Blue</td> <td>Pin 1 (R)</td> <td>Pin 2 (T)</td> </tr> <tr> <td>DDC/Remote Power</td> <td>Pin 4 (R)</td> <td>Pin 5 (T)</td> </tr> </table>	Red	Pin 7 (R)	Pin 8 (T)	Green	Pin 3 (R)	Pin 6 (T)	Blue	Pin 1 (R)	Pin 2 (T)	DDC/Remote Power	Pin 4 (R)	Pin 5 (T)				
Red	Pin 7 (R)	Pin 8 (T)															
Green	Pin 3 (R)	Pin 6 (T)															
Blue	Pin 1 (R)	Pin 2 (T)															
DDC/Remote Power	Pin 4 (R)	Pin 5 (T)															
Gain Adjustment	Gain compensation rotary switch and a potentiometer for equalisation																
Switcher Control	Manual, IR Remote, USB/RS232. Includes USB flash drive containing port control software																
LED Indicators	Auto: One (1) amber LED Power: One (1) green LED Link: Four (4) amber LEDs Select: Four (4) green LEDs																
Cable	Cat 5e/6 unshielded twisted pair (or better)																
Ground Loop Isolation	Ground loop isolation on every port. -2VDC to +3VDC between PC and display ground																
Power Supply	110-240V/12VDC/3.35A. Detachable AC power cords included 12VDC power jacks																
Temperature	Operating: 0°C to 40°C Storage: -10°C to 70°C Humidity: Up to 95% non-condensing																
Enclosure	Black. ABS fire retardant plastic																
Dimensions	6.00" x 4.25" x 1.50" (15.3 cm x 10.8 cm x 3.8 cm)																
Weight	2.4 lbs. (1.1 kg)																
Regulatory	FCC Class A, CE, RoHS																
Warranty	Two (2) years																
Packaging	Includes; AC Power Cord, Base Unit, IR Remote Control, Manual, Memory Key with GUI Software, PSU, USB Cable																
Order Information	500160: VGA 4x1 Switcher, 110V 500161: VGA 4x1 Switcher, 220-240V																

VGA 4x1 Switcher 500160 [110V], 500161 [220-240V]

Typical Application



Rear view